

Chipper, PTO - 6210

10" CAPACITY

MADE IN THE U.S.A

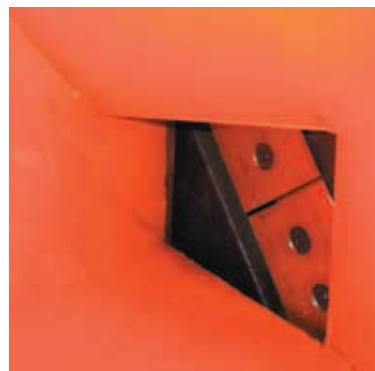


The Model 6210, is a 10" capacity chipper with a large 10" x 10" infeed opening. Clear, debris curtain strips, protect the user from fly back of material. This unit utilizes, 1/2" Thick x 4" Long, x 4" Wide, Double Edge, chip blades and a 1/2" thick, reversible, sharpenable, and replaceable bed knife, for consistent chip size and chipping capabilities of even those small, viney, stringy, messy jobs! 360° Exhaust Chute, and Easy Adjust Exhaust Flap. No tools are required to adjust either one.

Only 35 HP Required @ the PTO!



9- 1/2" Thick, double-sided, chip blades, segmented into 3-knife pockets. Easy access to blades through 1/4" thick steel impeller housing. 1" thick impeller, with 3-welded and gusseted paddles for better chip discharge and air-flow.



Large 10" x 10" infeed opening, means less pruning and trimming! 1/2" thick double sided Chip Blades!

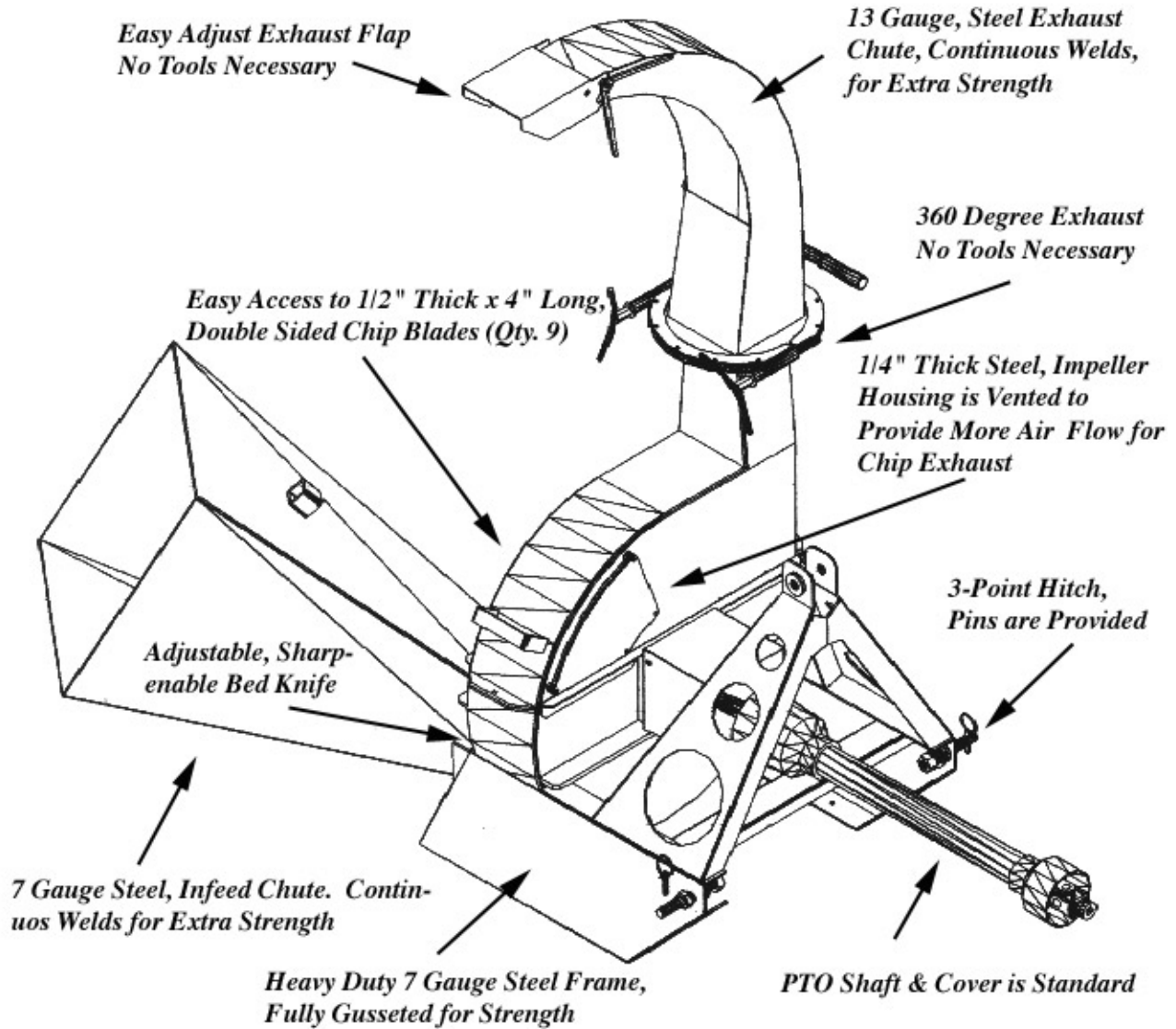
4-Bolt, cast iron, self aligning, greasable bearings! Replaceable, Sharpenable, Adjustable steel bed knife!



Quality of Workmanship, Innovative Design, Built to Last!

Salsco, INC.
LEADER BY DESIGN

SPECIFICATIONS AND OPTIONS - MODEL 6210PTO GRAVITY FEED WOOD CHIPPER



DIMENSIONS

Length: 6' 10"

Height: 6' 11"

Width: 6' 3-1/2"

Weight: 1350 lbs.

SPECIFICATIONS & OPTIONS, SUBJECT TO CHANGE WITHOUT NOTICE - 1/05

MANUFACTURER OF OUTDOOR POWER EQUIPMENT

Products for Turf & Lawncare, Rental, Construction, Tree care, Wood Processing, Nursery & Farm Industries

Other Salsco Equipment

3-1/2" - 18", Gas, Diesel, and P.T.O, Wood/Brush Chippers

Chipper Shredder Vacuum - Tailgate & Truckloader Vacuums up to 65 HP

Shaving Mills - Gas and Electric Greens Rollers



105 School House Road
Cheshire, CT 06410 U.S.A.
800-872-5726, 203-271-1682, 203-271-2596 (Fax)
sales@salsco.com, www.salsco.com