

Chipper, PTO - 624

4-1/2" CAPACITY

MADE IN THE U.S.A



The Model 624, is a 4-1/2" capacity chipper with a large 4" x 5" infeed opening. Clear, debris curtain strips, protect the user from fly back of material. This unit utilizes, 1/2" Thick x 7-1/4" Long, x 4" Wide, Double Edge, chip blades and a 1/2" thick, reversible, sharpenable, and replaceable bed knife, for consistent chip size and chipping capabilities of even those small, viney, stringy, messy jobs! 360° Exhaust Chute, and Easy Adjust Exhaust Flap. No tools are required to adjust either one.



Only 16 HP Required @ the PTO!



2 - 1/2" Thick, double-sided, chip blades, segmented into 2-knife pockets. Easy access to blades through 7 gauge thick steel impeller housing.

3/4" thick impeller, with 4-welded and gusseted paddles for better chip discharge and air-flow.



Large 4" x 5" infeed opening, means less pruning and trimming! 1/2" thick double sided Chip Blades!

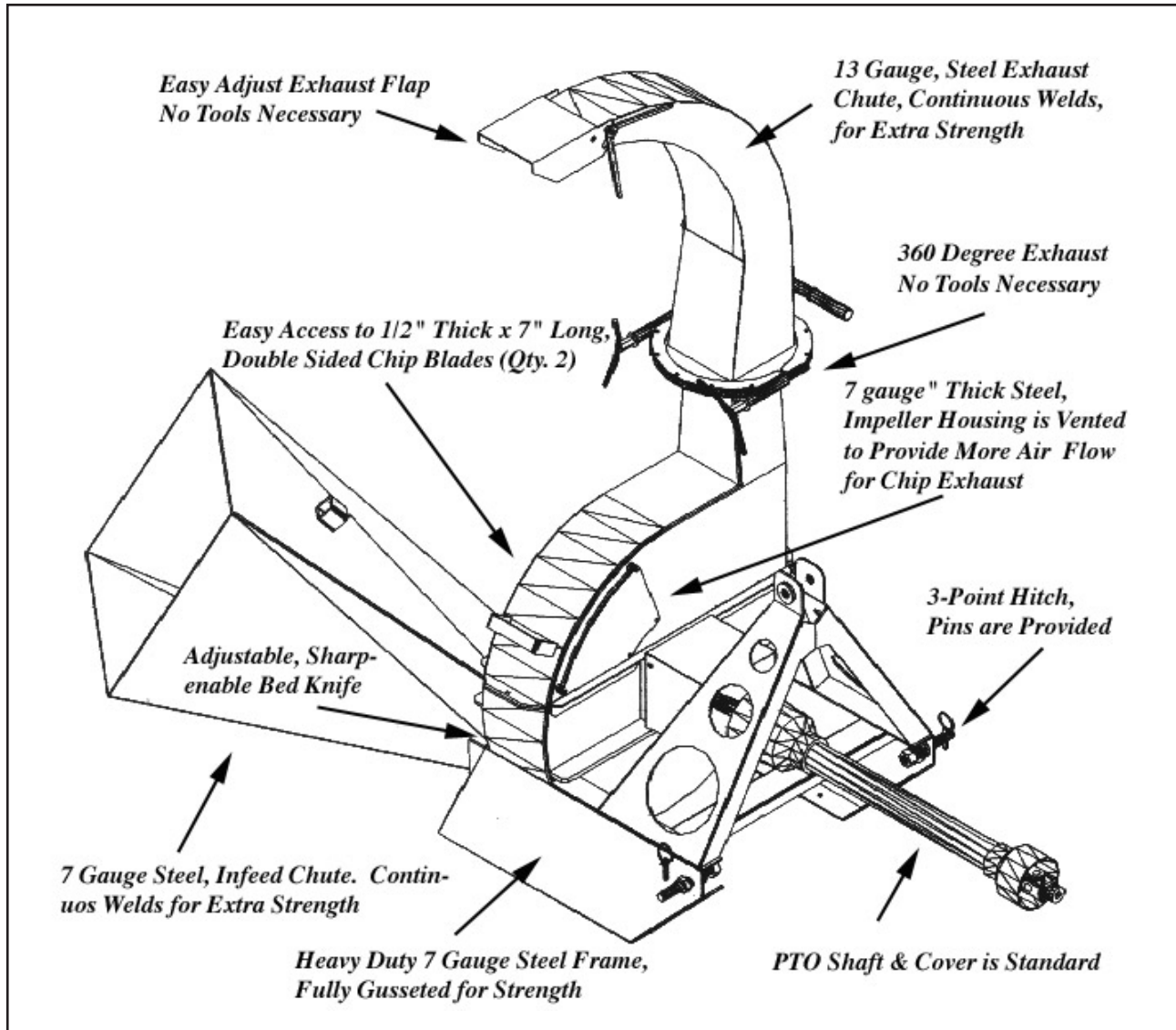
4-Bolt, cast iron, self aligning, greasable bearings! Replaceable, Sharpenable, Adjustable steel bed knife!



Quality of Workmanship, Innovative Design, Built to Last!

Salsco, INC.
LEADER BY DESIGN

SPECIFICATIONS AND OPTIONS - MODEL 624PTO GRAVITY FEED WOOD CHIPPER



DIMENSIONS

Length: 4' 7" Height: 5' 10"
Width: 4' Weight: 525 lbs.

SPECIFICATIONS & OPTIONS, SUBJECT TO CHANGE WITHOUT NOTICE - 1/05

MANUFACTURER OF OUTDOOR POWER EQUIPMENT

Products for Turf & Lawn care, Rental, Construction, Tree care, Wood Processing, Nursery & Farm Industries

Other Salsco Equipment

3-1/2" - 18", Gas, Diesel, and P.T.O, Wood/Brush Chippers
Chipper Shredder Vacuum - Tailgate & Truckloader Vacuums up to 65 HP
Shaving Mills - Gas and Electric Greens Rollers



105 School House Road
Cheshire, CT 06410 U.S.A.
800-872-5726, 203-271-1682, 203-271-2596 (Fax)
sales@salsco.com, www.salsco.com