

Chipper, PTO - 627

6" CAPACITY

MADE IN THE U.S.A



The Model 627, is a 6" capacity chipper with a large 7" x 8" infeed opening. Clear, debris curtain strips, protect the user from fly back of material. This unit utilizes, 1/2" Thick x 4" Long, x 4" Wide, Double Edge, chip blades and a 1/2" thick, reversible, sharpenable, and replaceable bed knife, for consistent chip size and chipping capabilities of even those small, viney, stringy, messy jobs! 360° Exhaust Chute, and Easy Adjust Exhaust Flap. No tools are required to adjust either one.



Only 25 HP Required @ the PTO!



1" thick impeller, with 6-welded and gusseted paddles for better chip discharge and air-flow.

6 - 1/2" Thick, double-sided, chip blades, segmented into 3-knife pockets. Easy access to blades through 1/4" thick steel impeller housing.



Large 7" x 8" infeed opening, means less pruning and trimming! 1/2" thick double sided Chip Blades!

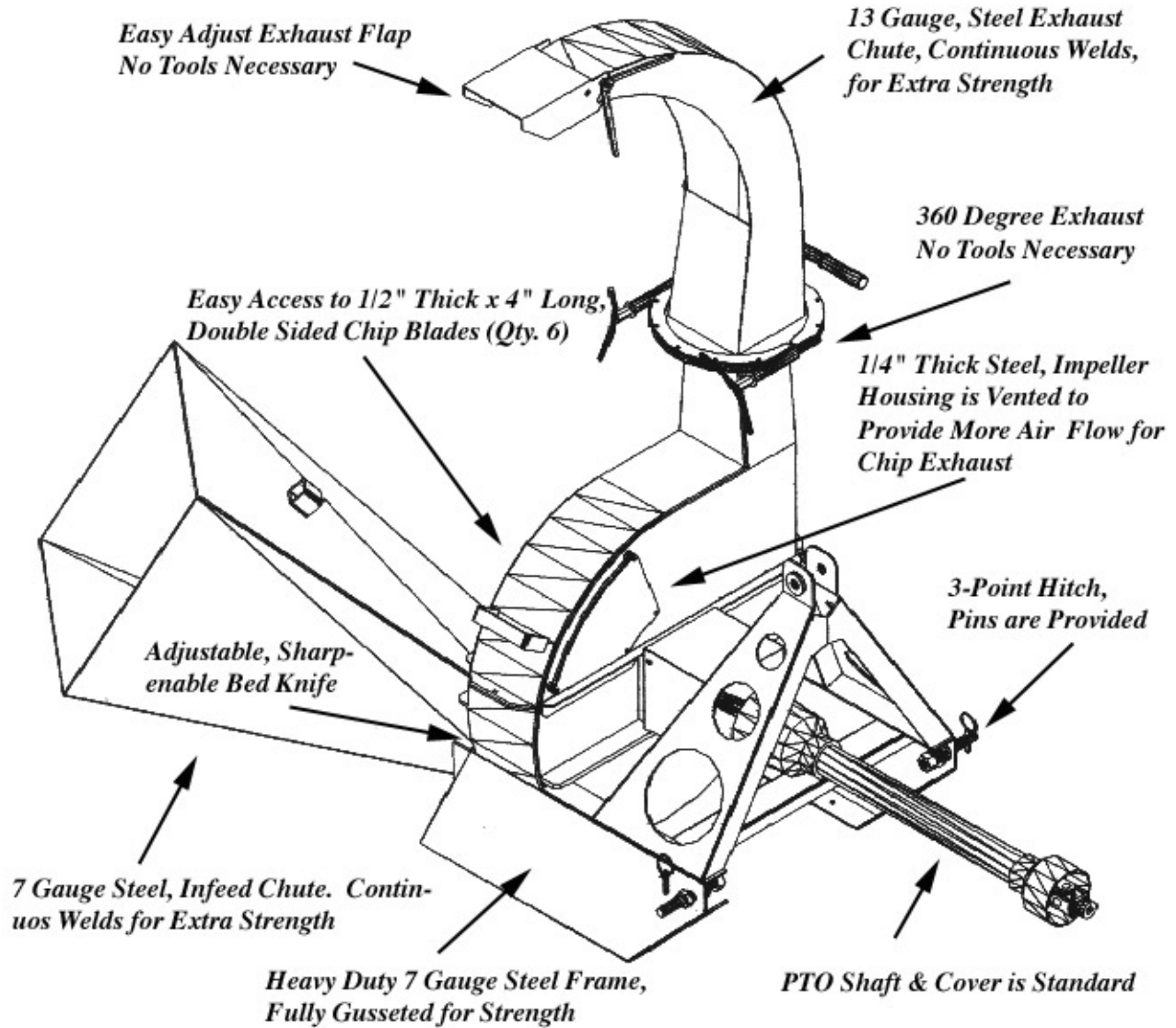
4-Bolt, cast iron, self aligning, greasable bearings! Replaceable, Sharpenable, Adjustable steel bed knife!



Quality of Workmanship, Innovative Design, Built to Last!

Salsco, INC.
LEADER BY DESIGN

SPECIFICATIONS AND OPTIONS - MODEL 627PTO GRAVITY FEED WOOD CHIPPER



DIMENSIONS

Length: 5' 6" Height: 5' 8"
 Width: 5' 6" Weight: 805 lbs.

SPECIFICATIONS & OPTIONS, SUBJECT TO CHANGE WITHOUT NOTICE - 3/04

MANUFACTURER OF OUTDOOR POWER EQUIPMENT

Products for Turf & Lawn care, Rental, Construction, Tree care, Wood Processing, Nursery & Farm Industries
 Other Salsco Equipment

3-1/2" - 18", Gas, Diesel, and P.T.O, Wood/Brush Chippers
Chipper Shredder Vacuum - Tailgate & Truckloader Vacuums up to 65 HP
Shaving Mills - Gas and Electric Greens Rollers



105 School House Road
 Cheshire, CT 06410 U.S.A.
 800-872-5726, 203-271-1682, 203-271-2596 (Fax)
 sales@salsco.com, www.salsco.com