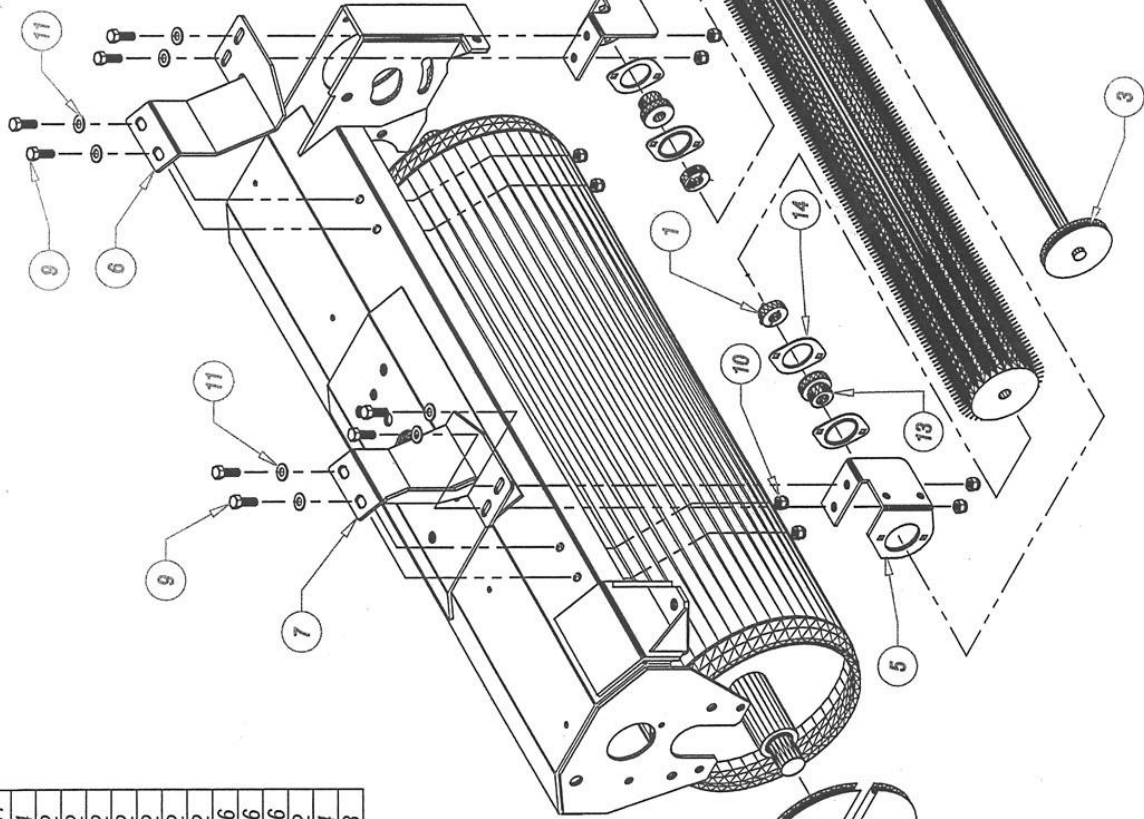


| REV | DESCRIPTION  | DATE            |
|-----|--|-----------------|
| A   | CHANGED MOUNTING BRACKETS TO USE FLANGETTE STYLE BEARINGS. | 11/17/16 R.R.J. |

REV

11



| ITEM | DESCRIPTION   | DWG NO  | QTY |
|------|---|---------|-----|
| 1    | COLLAR, BRUSH CLAMPING                              | 0211064 | 4   |
| 2    | PULLEY, BRUSH DRIVE                                 | 0242276 | 2   |
| 3    | SHAFT, ROLLER BRUSH                                 | 0248423 | 2   |
| 4    | MOUNT, ROLLER BRUSH SHAFT- IDLER SIDE               | 0490467 | 2   |
| 5    | MOUNT, ROLLER BRUSH SHAFT- DRIVE SIDE               | 0490466 | 2   |
| 6    | BRACKET, ROLLER BRUSH SHAFT MOUNT- LF & RR          | 0488184 | 2   |
| 7    | BRACKET, ROLLER BRUSH SHAFT MOUNT- RF & LR          | 0288234 | 2   |
| 8    | BRUSH, OPEN COIL                                    | 0336142 | 2   |
| 9    | SCREW, HEX HEAD CAP- 3/8-16 x 1" LONG               | 0346249 | 16  |
| 10   | NUT, LOCK- 3/8-16 NYLOCK                            | 0338102 | 16  |
| 11   | WASHER, FLAT- 3/8" SAE                              | 0353113 | 16  |
| 12   | BEI, DRIVE- TANGO BUSH ROUND x 29 1/2" TOTAL LENGTH | 0404195 | 4   |
| 13   | BEARING INSERT- 6518 BORE (INCLUDES LOCKING COLLAR) | 0303053 | 4   |
| 14   | BEARING FLANGETTE- FOR 6518" BEARING                | 0303054 | 8   |

USED ON:  
MACHINE #:  
0161391  
MODEL #:  
OPTION, ROTARY BRUSH SYSTEM  
FOR 0000064 GAS GREENROLLER  
W/ 82" ROLLER SHAFT

SEALSCO  
PART NAME:  
ROTARY BRUSH SYSTEM  
PART #:  
0161391  
REV:  
A

PART OF WELDMENT #:  
---  
PART OF SUB-ASSY #:  
---  
DRAWN BY:  
SALSCO  
DATE:  
6/18/15  
MATERIAL SIZE:  
O/P:  
2  
SEE ITEM DESCRIPTIONS