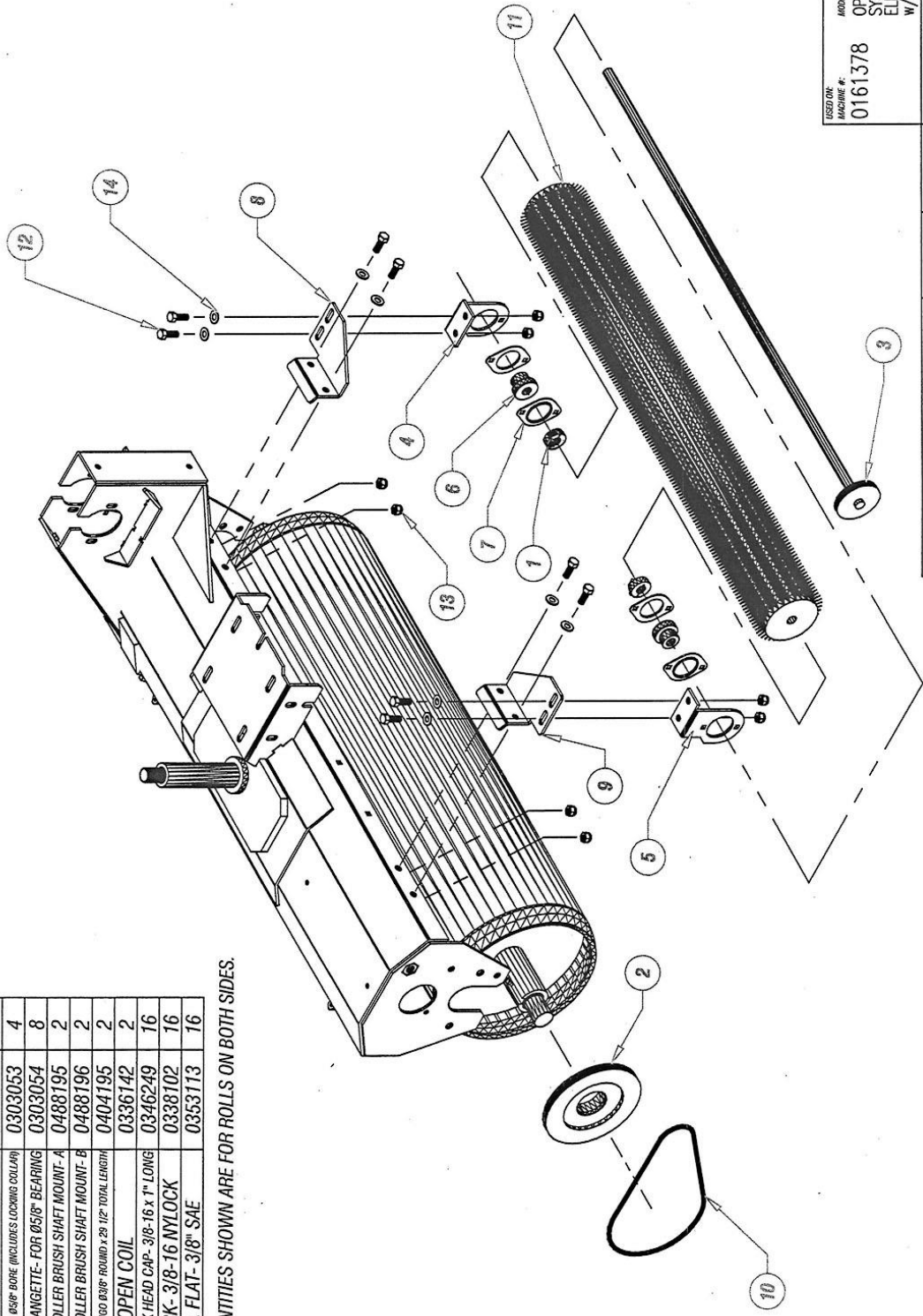


REV	DESCRIPTION	DATE
A	CHANGED MOUNTING BRACKETS TO USE FLANGETTE STYLE BEARINGS.	11/16/16 R.R.A.

ITEM	DESCRIPTION	DWG NO	QTY
1	COLLAR, BRUSH CLAMPING	0211064	4
2	PULLEY, BRUSH DRIVE	0242268	2
3	SHAFT, ROLLER BRUSH	0248389	2
4	MOUNT, ROLLER BRUSH SHAFT DRIVE- A	0490329	2
5	MOUNT, ROLLER BRUSH SHAFT DRIVE- B	0490331	2
6	BEARING INSERT- Ø5/8" BORE (INCLUDES LOCKING COLLAR)	0303053	4
7	BEARING FLANGETTE- FOR Ø5/8" BEARING	0303054	8
8	BRACKET, ROLLER BRUSH SHAFT MOUNT- A	0488195	2
9	BRACKET, ROLLER BRUSH SHAFT MOUNT- B	0488196	2
10	BELT DRIVE- TANGO Ø3/8" ROUND x 29 1/2" TOTAL LENGTH	0404195	2
11	BRUSH, OPEN COIL	0336142	2
12	SCREW, HEX HEAD CAP- 3/8-16 x 1" LONG	0346249	16
13	NUT, LOCK- 3/8-16 NYLOCK	0338102	16
14	WASHER, FLAT- 3/8" SAE	0353113	16

*ITEMS & QUANTITIES SHOWN ARE FOR ROLLS ON BOTH SIDES.



USED ON:
 MACHINE #:
 0161378

MODEL #:
 OPTION, ROTARY BRUSH SYSTEM ON 0009074 ELECTRIC GREENROLLER W/Ø2" ROLLER SHAFT

SALSCO

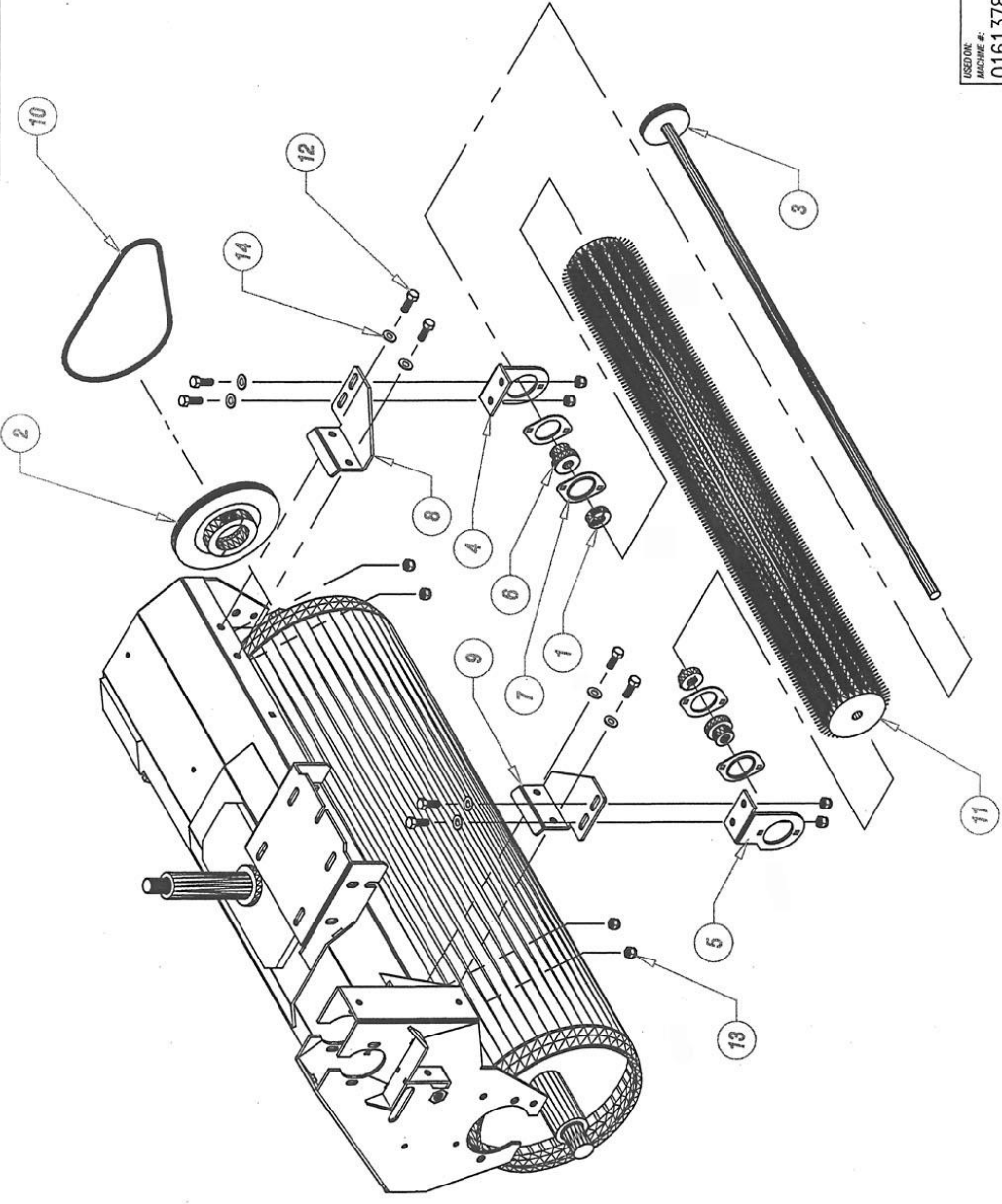
PART NAME:
 ROTARY BRUSH SYSTEM

PART #:
 0161378

REV.:
 A

PART OF WELDMENT#:	PART OF SUB-ASSY#:	DRAWN BY:	DATE:
---	---	SALSCO	3/20/14
MATERIAL SIZE	QTY	SEE ITEM DESCRIPTIONS	
	1		

REVISIONS		DATE
REV.	DESCRIPTION	
A	CHANGED MOUNTING BRACKETS TO USE FLANGETTE STYLE BEARINGS.	11/16/16 R.A.J.



USED ON: MACHINE #:	0161378
MODEL #:	OPTION, ROTARY BRUSH SYSTEM ON 0009074 ELECTRIC GREENSKOLLER w/Ø2" ROLLER SHAFT
SALSICO <small>INC.</small>	
PART NAME:	ROTARY BRUSH SYSTEM
PART #:	0161378
REV.:	A

PART OF VENDOR#:	---	PART OF SUB-ASSY#:	---	DRAWN BY:	SALSICO	DATE:	3/20/14
MATERIAL SIZE:	SEE ITEM DESCRIPTIONS						
QTY:	1						