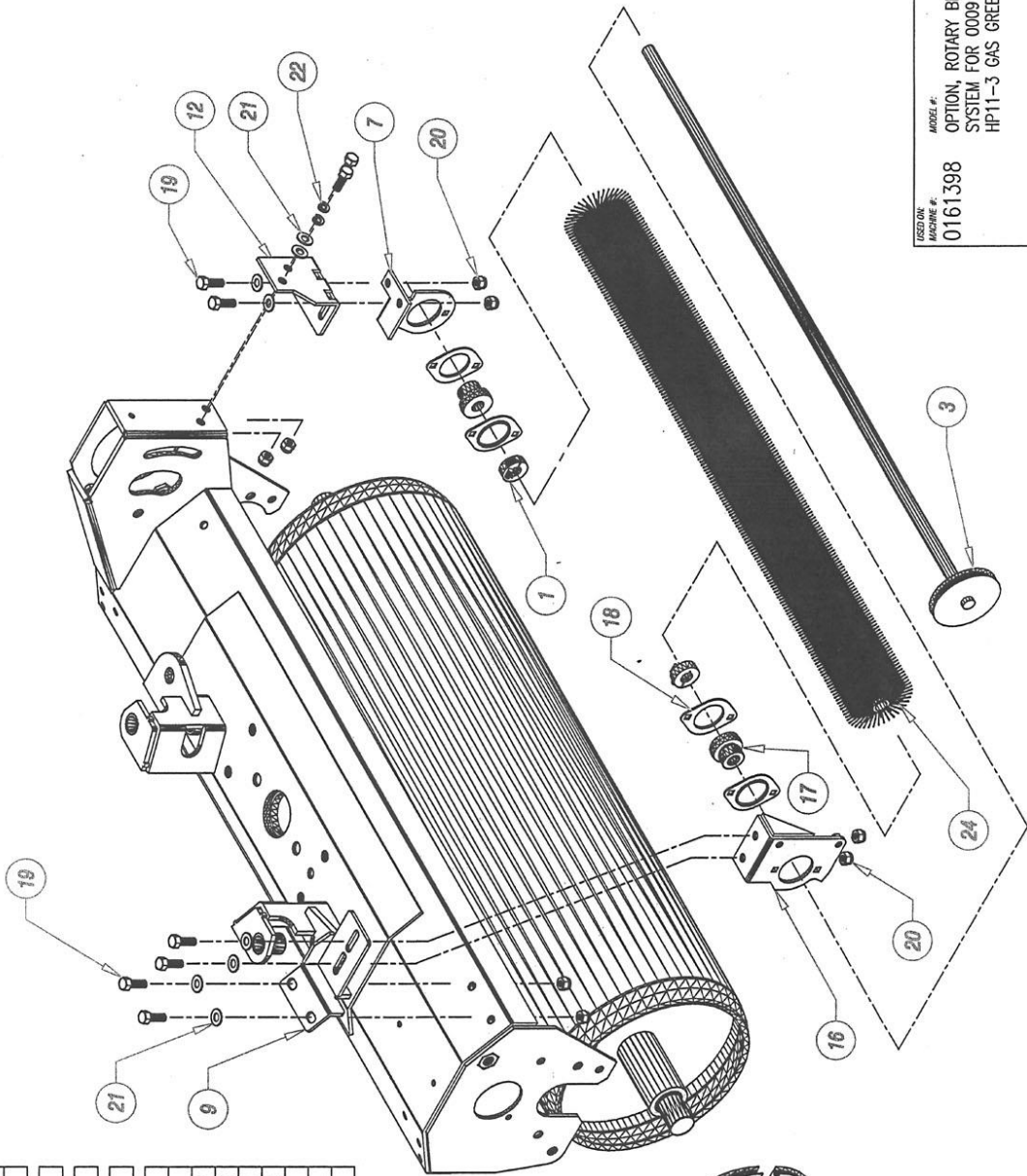


REV	DESCRIPTION	DATE



ITEM	DESCRIPTION	DWG NO	QTY
1	COLLAR, BRUSH CLAMPING	0211064	6
2	PULLEY, BRUSH DRIVE	0242276	3
3	SHAFT, ROLLER BRUSH	0248424	1
7	MOUNT, ROLLER BRUSH SHAFT BULDER- RIGHT & FRONT	0490366	1
9	BRACKET, ROLLER BRUSH SHAFT MOUNT- LEFT FRONT	0288232	1
12	BRACKET, ROLLER BRUSH SHAFT MOUNT- LEFT REAR	0488177	1
16	MOUNT, ROLLER BRUSH SHAFT- DRIVE SIDE	0276938	1
17	BEARING INSIDE- 65/8" BORE (INCLUDES LOCKING COLLAR)	0303053	6
18	BEARING FLANGETTE- FOR 65/8" BEARING	0303054	12
19	SCREW, HEX HEAD CAP- 3/8-16 X 1" LONG	0346249	24
20	NUT, LOCK- 3/8-16 NYLOCK	0338102	20
21	WASHER, FLAT- 3/8" SAE	0353113	24
22	WASHER, SPLIT LOCK- 3/8"	0353016	6
23	BEEL DRIVE- TANGCO 65/8" ROUND X 29 1/2" TOTAL LENGTH	0404195	3
24	BRUSH, OPEN COIL	0336142	3

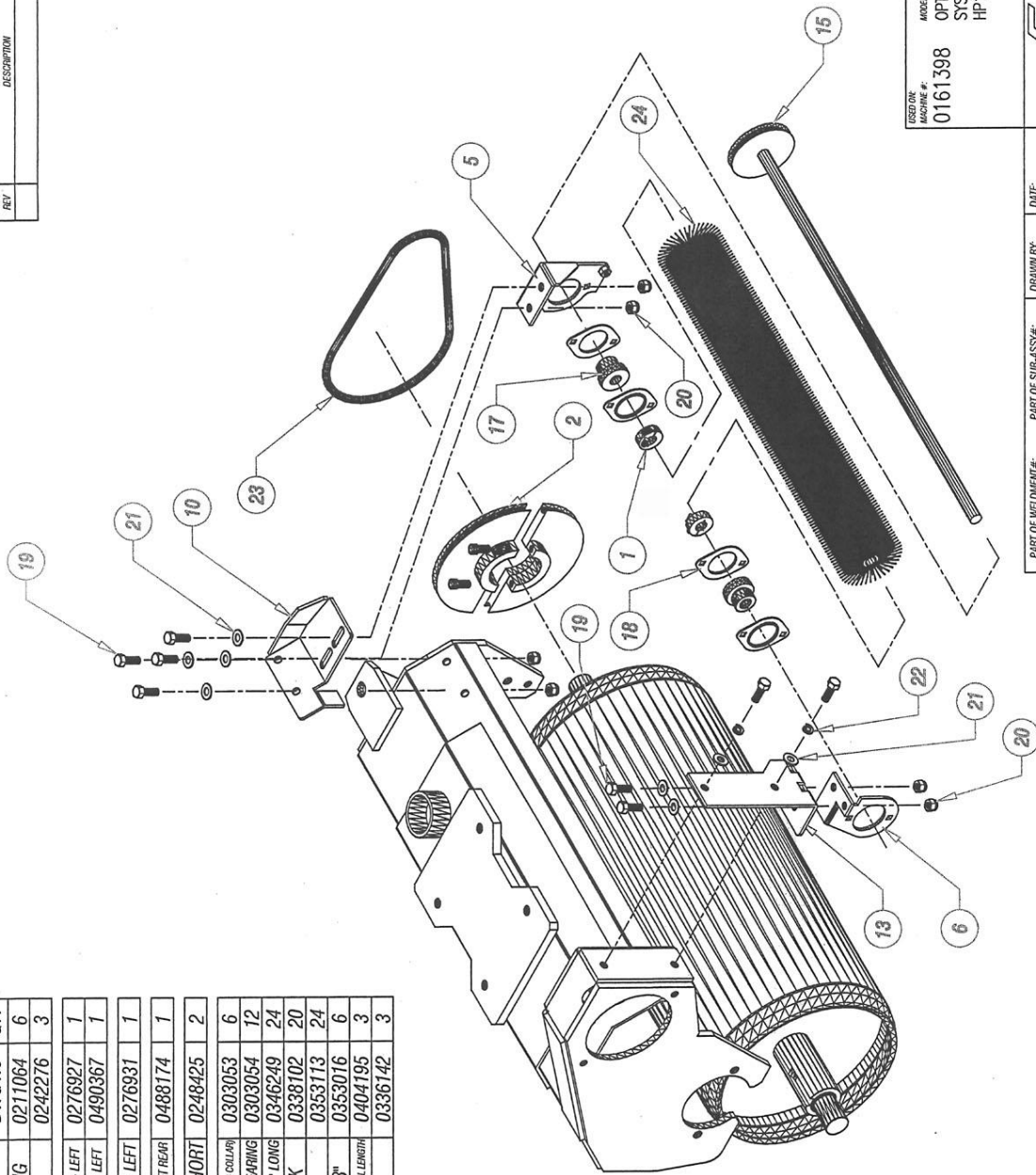
USED ON  
MACHINE #  
0161398  
MODEL #  
OPTION, ROTARY BRUSH  
SYSTEM FOR 0009107  
HP11-3 GAS GREENSCROLLER

PART OF WELDMENT#:	---	PART OF SUB-ASSY#:	---	DRAWN BY:	SALSCO	DATE:	11/21/16
MATERIAL SIZE	SEE ITEM DESCRIPTIONS			OPK	1		
PART NAME				SEISCO, INC.			
PART #:				0161398			
REV.:				SHEET 1 OF 3			

NOTES:  
-LEFT ROLL

ITEM	DESCRIPTION	DWG NO	QTY
1	COLLAR, BRUSH CLAMPING	0211064	6
2	PULLEY, BRUSH DRIVE	0242276	3
5	MOUNT, ROLLER BRUSH SHAFT DRIVE- LEFT	0276927	1
6	MOUNT, ROLLER BRUSH SHAFT IDLER- LEFT	0490367	1
10	MOUNT, ROLLER BRUSH DRIVE- LEFT	0276931	1
13	BRACKET, ROLL BRUSH SHAFT IDLER- LEFT REAR	0488174	1
15	SHAFT, ROLLER BRUSH- SHORT	0248425	2
17	BEARING INSERT- BRP BORE (INCLUDES LOCKING COLLAR)	0303053	6
18	BEARING FLANGETTE- FOR #5/8" BEARING	0303054	12
19	SCREW, HEX HEAD CAP- 3/8-16 X 1" LONG	0346249	24
20	NUT, LOCK- 3/8-16 NYLOCK	0338102	20
21	WASHER, FLAT- 3/8" SAE	0353113	24
22	WASHER, SPLIT LOCK- 3/8"	0353016	6
23	BELT DRIVE- TANDU BRP# RAVIND X 29 1/2" TOTAL LENGTH	0404195	3
24	BRUSH, OPEN COIL	0336142	3

REV	DESCRIPTION	DATE



USCOIN  
 MACHINE #  
 0161398  
 MODEL #  
 OPTION, ROTARY BRUSH  
 SYSTEM FOR 0009107  
 HP11-3 GAS GREENSKOLLER

PART OF WELDMENT#:	---	PART OF SUB-ASSY#:	---	DRAWN BY:	SALSCO	DATE:	11/21/16
MATERIAL SIZE	SEE ITEM DESCRIPTIONS						
QTY	1						
REV#:	0161398 SHEET 2 OF 3						



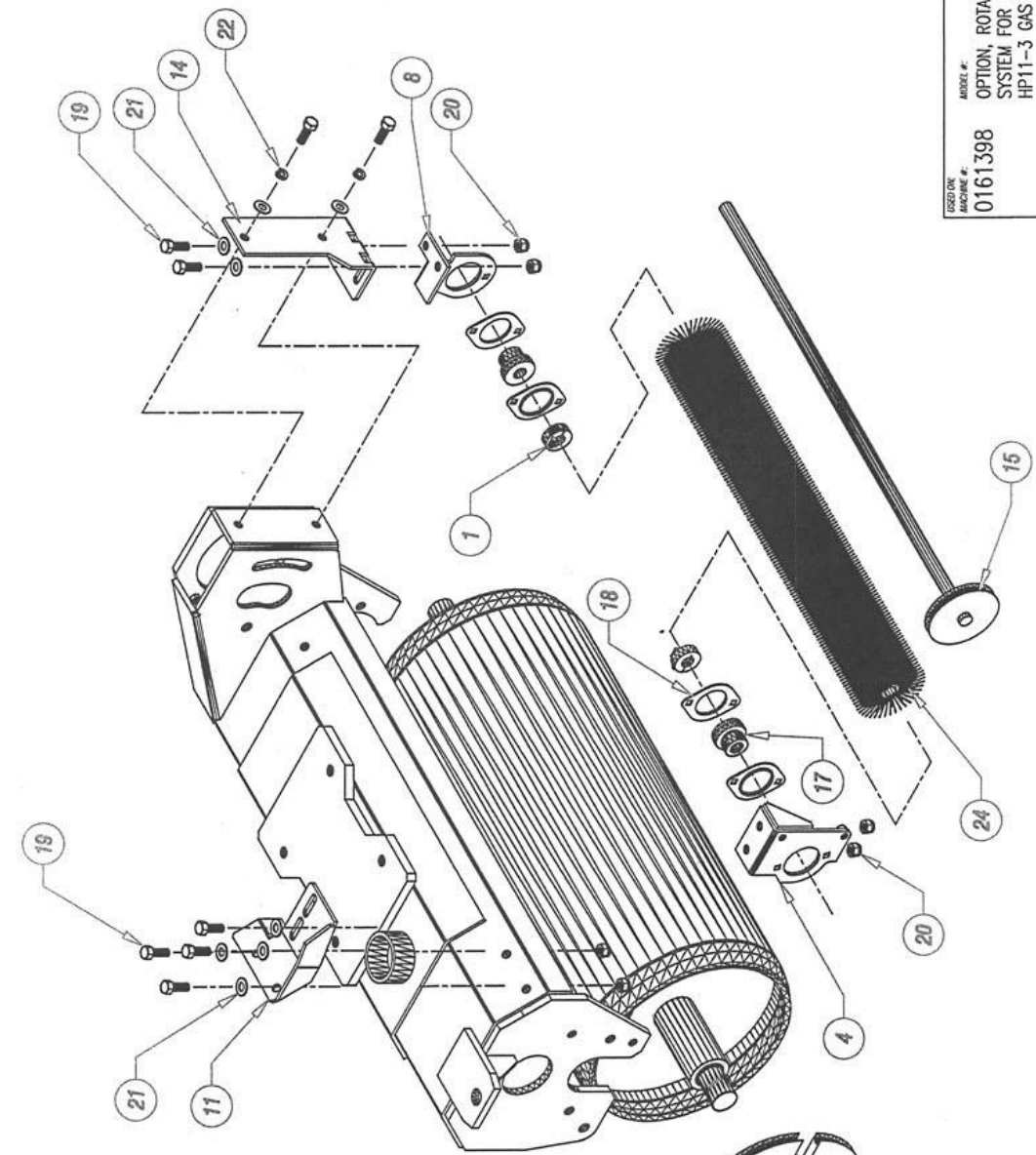
PART NAME  
 ROTARY BRUSH SYSTEM

NOTES:

-RIGHT REAR ROLL

REV	DESCRIPTION	DATE

ITEM	DESCRIPTION	DWG NO	QTY
1	COLLAR, BRUSH CLAMPING	0211064	6
2	PULLEY, BRUSH DRIVE	0242276	3
3	SHAFT, ROLLER BRUSH	0248424	3
4	MOUNT, ROLLER BRUSH SHAFT DRIVE- RIGHT & FRONT	0276928	1
8	MOUNT, ROLLER BRUSH SHAFT IDLER- LEFT IDLER SIDE	0490372	1
11	MOUNT, ROLLER BRUSH DRIVE- RIGHT & FRONT	0276932	1
14	BRACKET, ROLL BRUSH SHAFT IDLER- FRONT & RIGHT REAR	0488176	1
15	SHAFT, ROLLER BRUSH- SHORT	0248425	2
17	BEARING INSERT- BRUSH BORE (INCLUDES LOCKING COLLAR)	0303053	6
18	BEARING FLANGETTE- FOR Ø5/16" BEARING	0303054	12
19	SCREW, HEX HEAD CAP- 3/8-16 x 1" LONG	0346249	24
20	NUT, LOCK- 3/8-16 NYLOCK	0338102	20
21	WASHER, FLAT- 3/8" SAE	0353113	24
22	WASHER, SPLIT LOCK- 3/8"	0353016	6
23	BELT DRIVE, TANGD BRUSH ROUNO x 20 1/2" TOTAL LENGTH	0404195	3
24	BRUSH, OPEN COIL	0336142	3



MODEL #:  
 0161398  
 OPTION, ROTARY BRUSH  
 SYSTEM FOR 0009107  
 HP11-3 GAS GREENROLLER

PART OF WELDMENT#:	PART OF SUB-ASSY#:	DATE:	DATE:
---	---	SALSCO	11/21/16
DRAWN BY:		PART NAME:	
SEE ITEM DESCRIPTIONS		ROTARY BRUSH SYSTEM	
MATERIAL SIZE:		OPK:	REV.:
1		1	0161398 SHEET 3 OF 3

NOTES:  
 --RIGHT FRONT ROLL