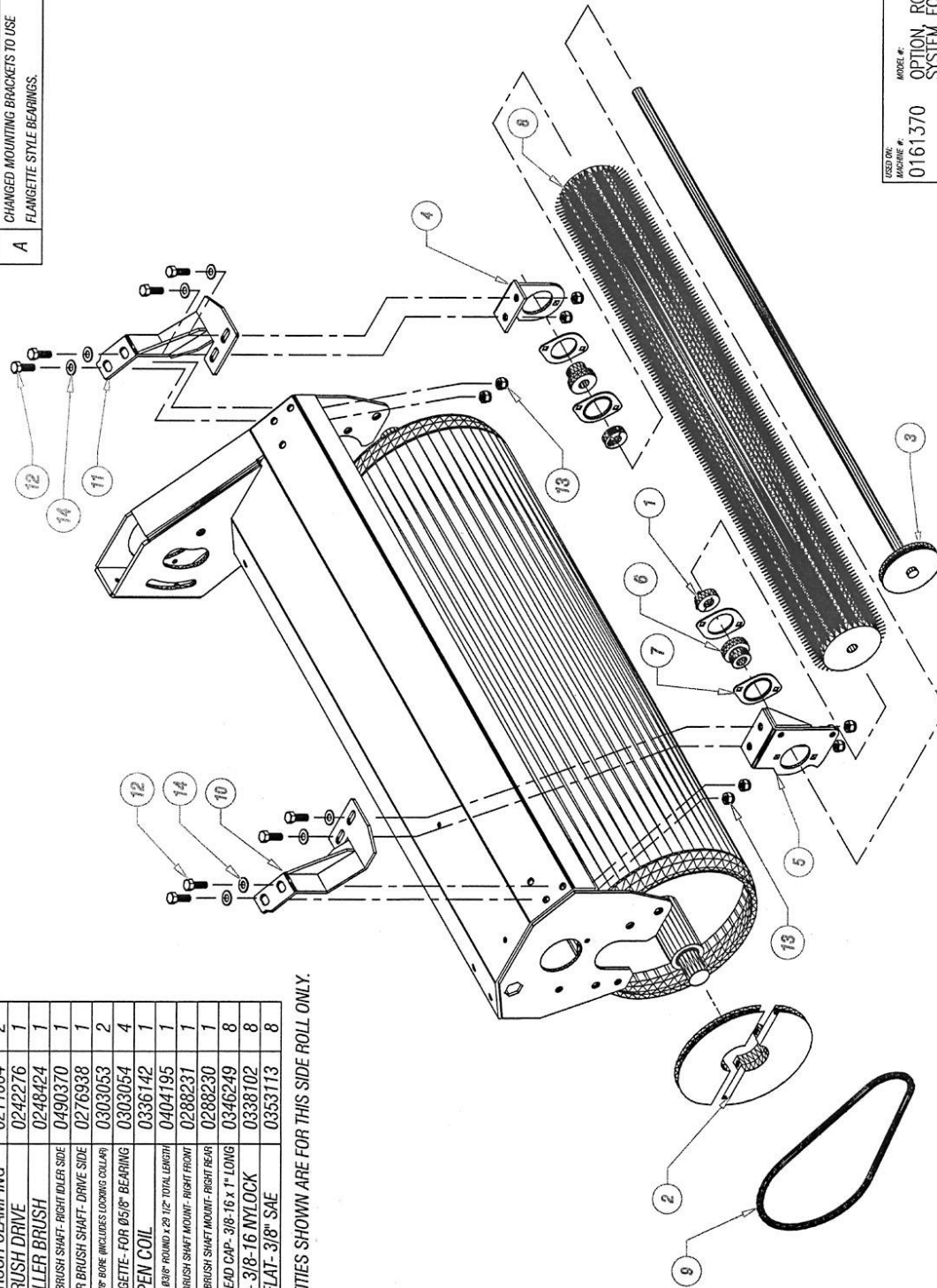


REV	DESCRIPTION	DATE
A	CHANGED MOUNTING BRACKETS TO USE FLANGETTE STYLE BEARINGS.	11/15/16 R.R.L.

ITEM	DESCRIPTION	DWG NO	QTY
1	COLLAR, BRUSH CLAMPING	0211064	2
2	PULLEY, BRUSH DRIVE	0242276	1
3	SHAFT, ROLLER BRUSH	0248424	1
4	MOUNT, ROLLER BRUSH SHAFT- RIGHT IDLER SIDE	0490370	1
5	MOUNT, ROLLER BRUSH SHAFT- DRIVE SIDE	0276938	1
6	BEARING INSERT- 6208 BORE (INCLUDES LOCKING COLLAR)	0303053	2
7	BEARING FLANGETTE- FOR 6516" BEARING	0303054	4
8	BRUSH, OPEN COIL	0336142	1
9	BELT, DRIVE- TANGED BRUSH ROUND X 28 1/2" TOTAL LENGTH	0404195	1
10	BRACKET, ROLLER BRUSH SHAFT MOUNT- RIGHT FRONT	0288231	1
11	BRACKET, ROLLER BRUSH SHAFT MOUNT- RIGHT REAR	0288230	1
12	SCREW, HEX HEAD CAP- 3/8-16 X 1" LONG	0346249	8
13	NUT, LOCK- 3/8-16 NYLOCK	0338102	8
14	WASHER, FLAT- 3/8" SAE	0353113	8

\*ITEMS & QUANTITIES SHOWN ARE FOR THIS SIDE ROLL ONLY.



MODEL #:  
0161370  
OPTION, ROTARY BRUSH SYSTEM FOR 0009070 MODEL #HP11

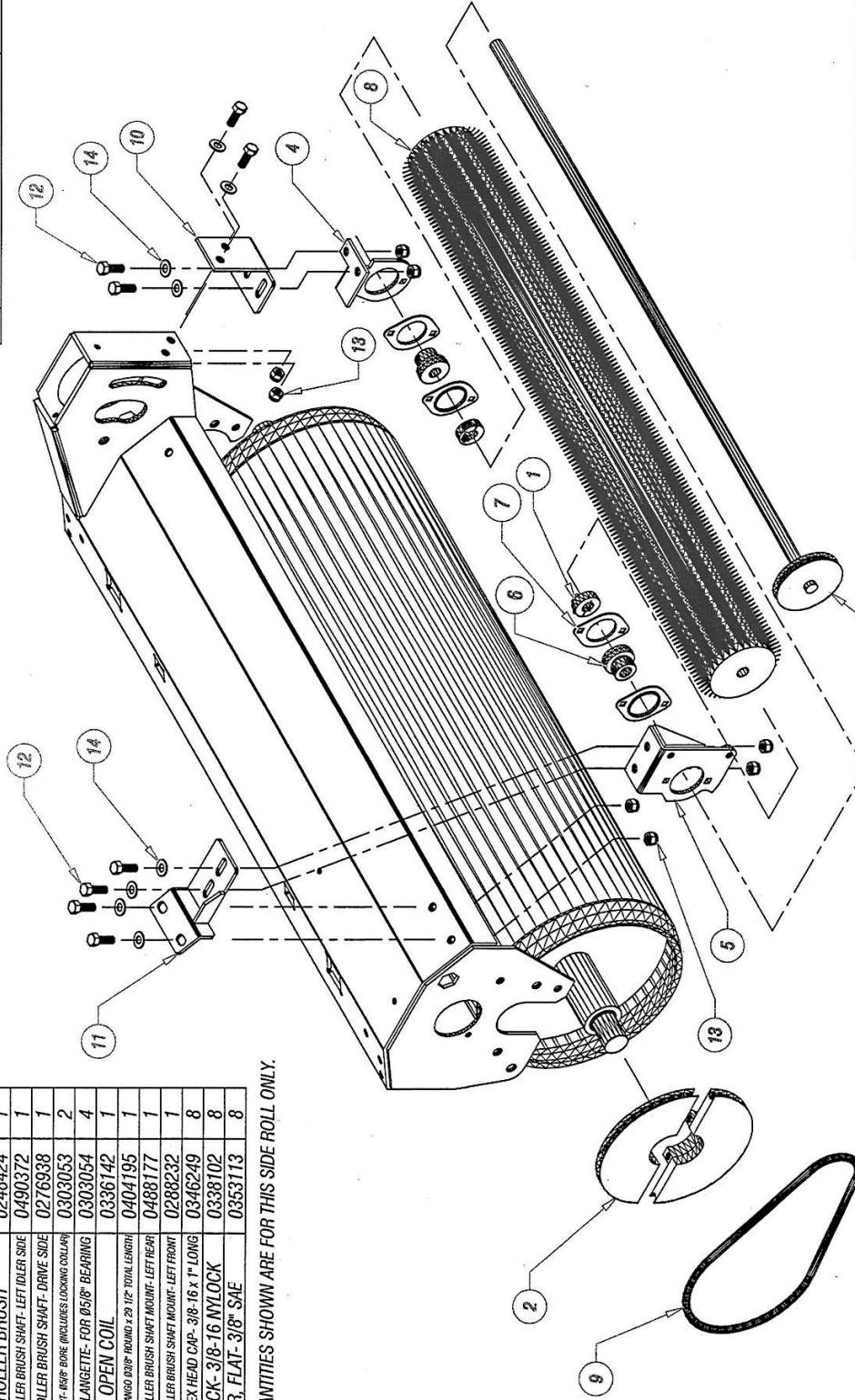
DATE: 5/21/15	DRAWN BY: SALSCO	PART OF WELDMENT #:	PART NAME: ROTARY BRUSH SYSTEM
DATE: 5/21/15	DATE: 5/21/15	PART OF SUB-ASSY #:	OPC: 1
MATERIAL SIZE: SEE ITEM DESCRIPTIONS			REV: A
SHEET 1 OF 2			0161370

NOTES:  
-RIGHT ROLL

ITEM	DESCRIPTION	DWG NO	QTY
1	COLLAR, BRUSH CLAMPING	0211064	2
2	PULLEY, BRUSH DRIVE	0242276	1
3	SHAFT, ROLLER BRUSH	0248424	1
4	MOUNT, ROLLER BRUSH SHAFT- LEFT IDLER SIDE	0490372	1
5	MOUNT, ROLLER BRUSH SHAFT- DRIVE SIDE	0276938	1
6	BEARING INSRT- 80P- BORE (INCLUDES LOADING COLLAR)	0303053	2
7	BEARING FLANGETTE- FOR Ø51Ø- BEARING	0303054	4
8	BRUSH, OPEN COIL	0336142	1
9	BELT, DRIVE- TANGO Ø38P- ROUND x 29 1/2" TOTAL LENGTH	0404195	1
10	BRACKET, ROLLER BRUSH SHAFT MOUNT- LEFT REAR	0488177	1
11	BRACKET, ROLLER BRUSH SHAFT MOUNT- LEFT FRONT	0288232	1
12	SCREW, HEX HEAD CAP- 3/8-16 x 1" LONG	0346249	8
13	NUT, LOCK- 3/8-16 NYLOCK	0338102	8
14	WASHER, FLAT- 3/8" SAE	0353113	8

\*ITEMS & QUANTITIES SHOWN ARE FOR THIS SIDE ROLL ONLY.

REV	DESCRIPTION	DATE
A	CHANGED MOUNTING BRACKETS TO USE FLANGETTE STYLE BEARINGS.	11/15/16 R.R.J.



ISSUE ON MACHINE #	0161370	MODEL #	OPTION ROTARY BRUSH SYSTEM FOR 0009070 MODEL #HP11
PART NAME	ROTARY BRUSH SYSTEM		
PART #	0161370		

PART OF WELDMENT#	---	PART OF SUB-ASSY#	---	DRAWN BY	SALSCO	DATE	5/21/15
MATERIAL SIZE	SEE ITEM DESCRIPTIONS						
QTY	1						

NOTES:  
-LEFT ROLL

SALSCO  
ROTARY BRUSH SYSTEM  
SHEET 2 OF 2