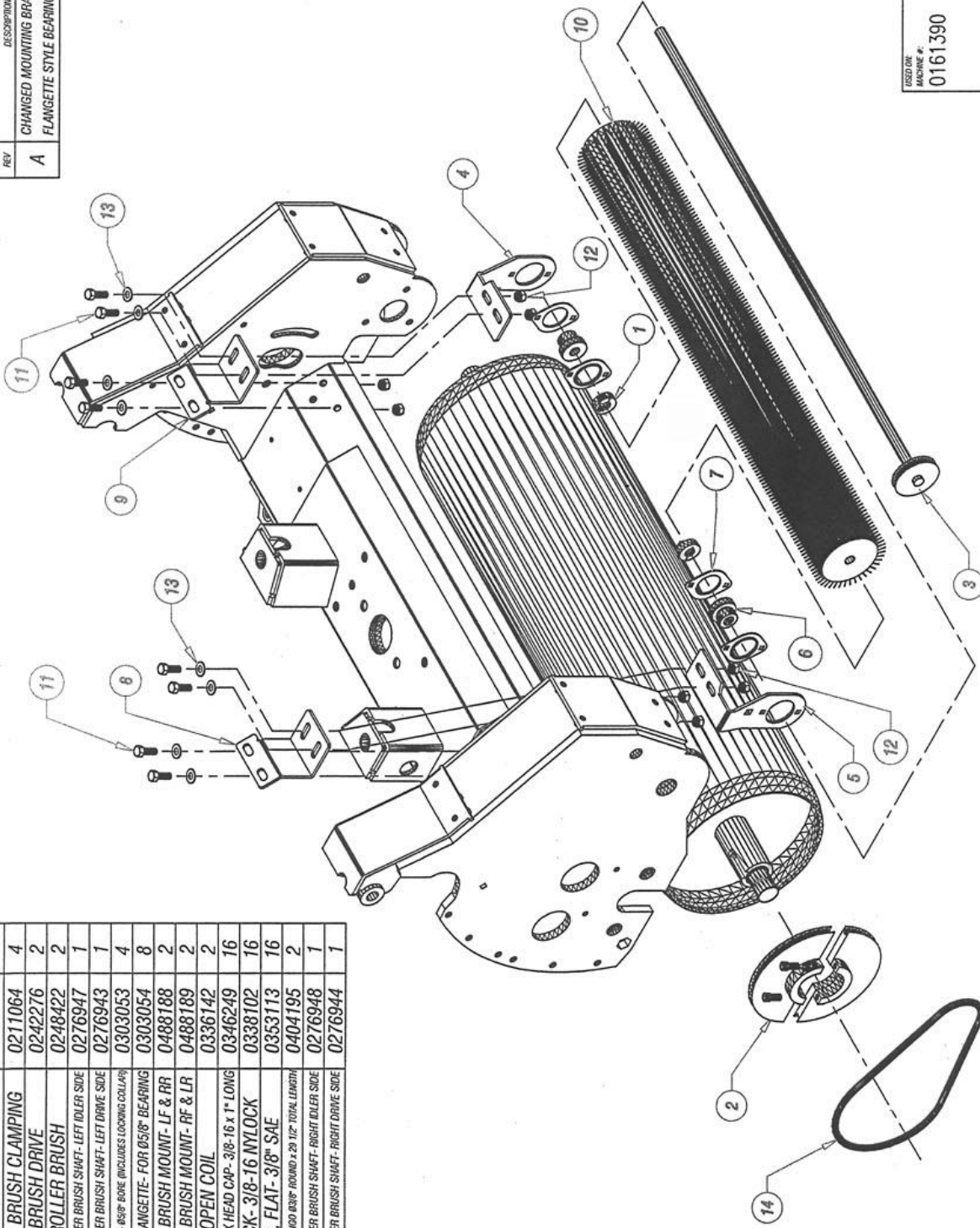


ITEM	DESCRIPTION	DWG NO	QTY
1	COLLAR, BRUSH CLAMPING	0211064	4
2	PULLEY, BRUSH DRIVE	0242276	2
3	SHAFT, ROLLER BRUSH	0248422	2
4	MOUNT, ROLLER BRUSH SHAFT- LEFT IDLER SIDE	0276947	1
5	MOUNT, ROLLER BRUSH SHAFT- LEFT DRIVE SIDE	0276943	1
6	BEARING INSERT- B&B* BORE (INCLUDES LOCKING COLLAR)	0303053	4
7	BEARING FLANGETTE- FOR Ø5/16" BEARING	0303054	8
8	BRACKET, BRUSH MOUNT- LF & RR	0488188	2
9	BRACKET, BRUSH MOUNT- RF & LR	0488189	2
10	BRUSH, OPEN COIL	0336142	2
11	SCREW, HEX HEAD CAP- 3/8-16 x 1" LONG	0346249	16
12	NUT, LOCK- 3/8-16 NYLOCK	0338102	16
13	WASHER, FLAT- 3/8" SAE	0353113	16
14	BEEL, DRIVE- INMID Ø&B* ROUND x 29 1/2" TOTAL LENGTH	0404195	2
15	MOUNT, ROLLER BRUSH SHAFT- RIGHT IDLER SIDE	0276948	1
16	MOUNT, ROLLER BRUSH SHAFT- RIGHT DRIVE SIDE	0276944	1



NOTES:  
 --LEFT ROLL  
 --ITEM #s 15 & 16 ARE MIRRORED VERSIONS OF ITEM #s 4 & 5 FOR THE OPPOSITE (RIGHT) ROLL.

REV	DESCRIPTION	DATE
A	CHANGED MOUNTING BRACKETS TO USE FLANGETTE STYLE BEARINGS.	11/17/16 R.R.J.

USED ON MACHINE #:	0161390
MODEL #:	OPTION, ROTARY BRUSH SYSTEM FOR 0009100 #HP11-WT(ROLL-N-GO)
<b>SALSCO</b> <small>INC.</small>	
PART NAME:	ROTARY BRUSH SYSTEM
PART #:	0161390

PART OF WELDMENT#:	---	PART OF SUB-ASSY#:	---	DRAWN BY:	SALSCO	DATE:	6/22/15
MATERIAL SIZE:	SEE ITEM DESCRIPTIONS	OP#:	2	REV#:	A		