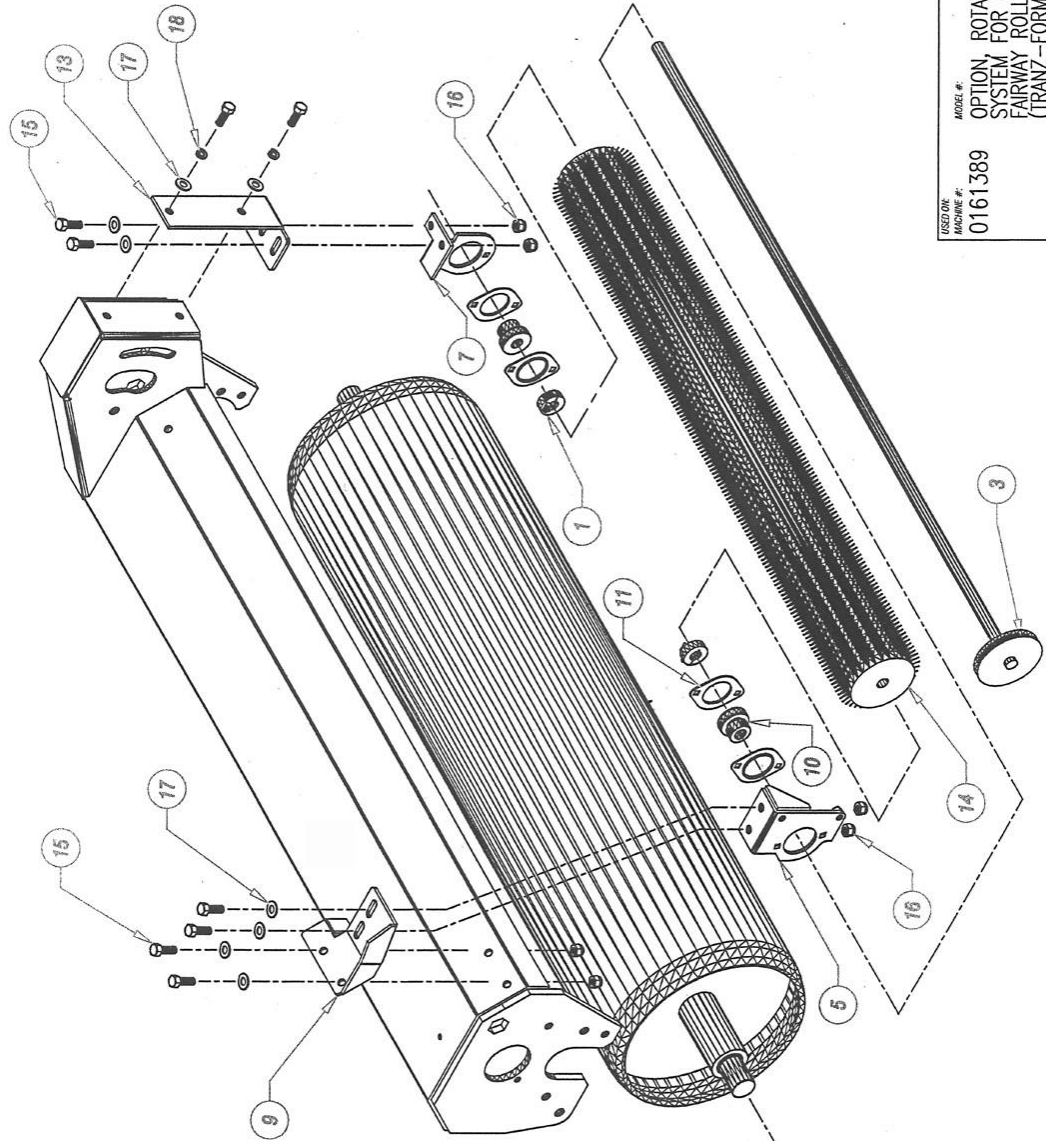


ITEM	DESCRIPTION	DWG NO	QTY
1	COLLAR, BRUSH CLAMPING	0211064	4
2	PULLEY, BRUSH DRIVE	0242276	2
3	SHAFT, ROLLER BRUSH	0248421	2
5	MOUNT, ROLLER BRUSH SHAFT DRIVE- RIGHT & FRONT	0276928	2
7	MOUNT, ROLLER BRUSH SHAFT IDLER- RIGHT & FRONT	0490366	2
9	MOUNT, ROLLER BRUSH DRIVE- RIGHT & FRONT	0276932	2
10	BEARING INSERT- BRUSH BORE (INCLUDES LOCKING COLLAR)	0303053	4
11	BEARING FLANGETTE- FOR 105/8" BEARING	0303054	8
13	BRACKET, ROLL BRUSH SHAFT IDLER- FRONT & RIGHT REAR	0488176	2
14	BRUSH, OPEN COIL	0336142	2
15	SCREW, HEX HEAD CAP- 3/8"-16 x 1" LONG	0346249	16
16	NUT, LOCK- 3/8"-16 NYLOCK	0338102	12
17	WASHER, FLAT- 3/8" SAE	0353113	16
18	WASHER, SPLIT LOCK- 3/8"	0353016	4
19	BELT DRIVE- 1/4X30 83/8" ROUND X 29 1/2" TOTAL LENGTH	0404195	2



REV	DESCRIPTION	DATE
A	CHANGED MOUNTING BRACKETS TO USE FLANGETTE STYLE BEARINGS.	11/16/16 R.R.L.

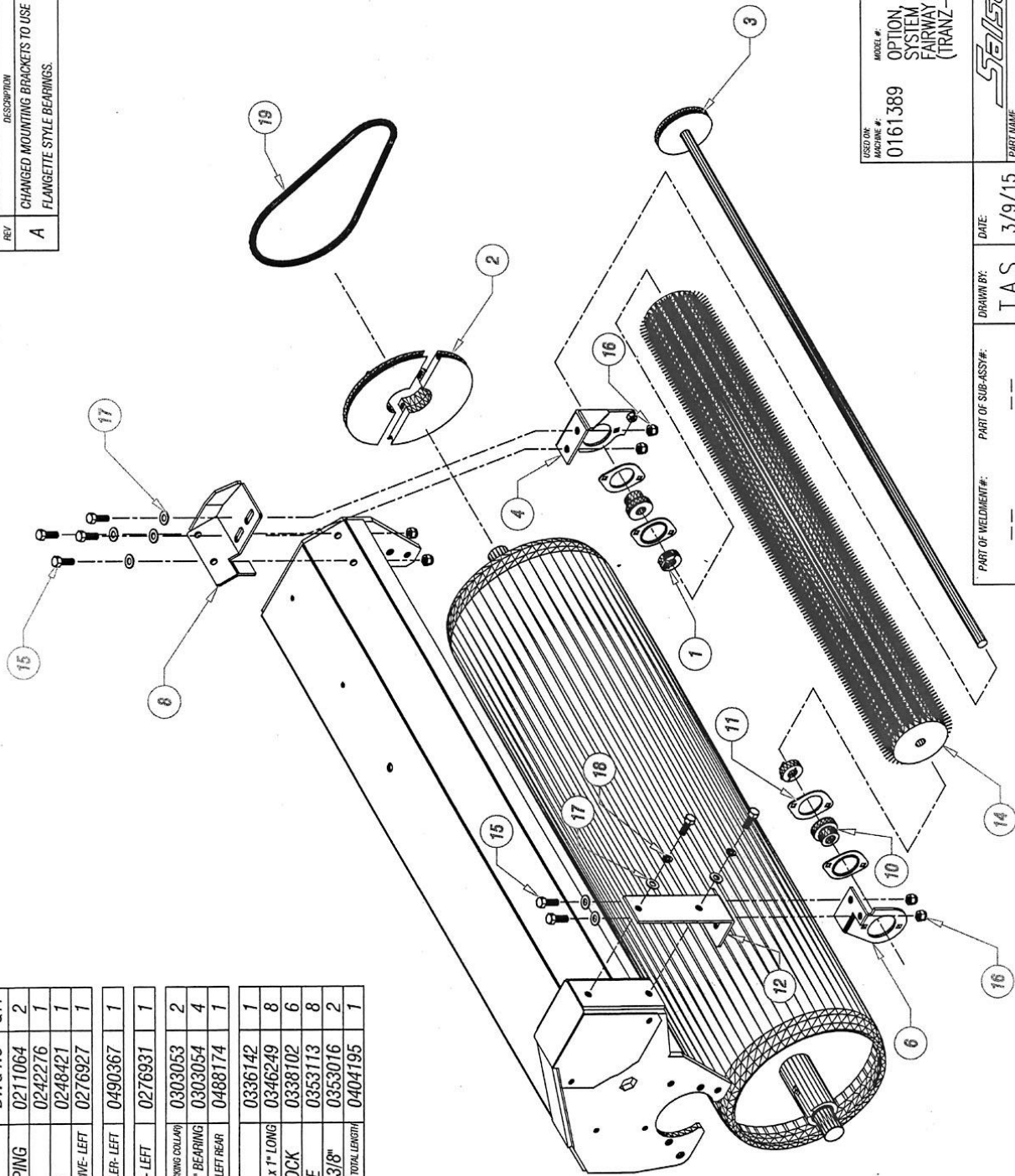
USED ON:  
 MACHINE #:  
 0161389  
 MODEL #:  
 OPTION, ROTARY BRUSH SYSTEM FOR 0009090  
 FAIRWAY ROLLER  
 (FRANZ-FORMER)

PART NAME	ROTARY BRUSH SYSTEM
PART #	0161389
SHEET	1 OF 2

PART OF WELDMENT#	---	DATE:	3/9/15
PART OF SUB-ASSY#	---	DRAWN BY:	SALSCO
MATERIAL SIZE	SEE ITEM DESCRIPTIONS	OP#	2

NOTES:  
 -RIGHT REAR AND FRONT ROLL

ITEM	DESCRIPTION	DWG NO	QTY
1	COLLAR, BRUSH CLAMPING	0211064	2
2	PULLEY, BRUSH DRIVE	0242276	1
3	SHAFT, ROLLER BRUSH	0248421	1
4	MOUNT, ROLLER BRUSH SHAFT DRIVE- LEFT	0276927	1
6	MOUNT, ROLLER BRUSH SHAFT IDLER- LEFT	0490367	1
8	MOUNT, ROLLER BRUSH DRIVE- LEFT	0276931	1
10	BEARING INSERT- BRUSH DRIVE (INCLUDES LOCKING COLLAR)	0303053	2
11	BEARING FLANGETTE- FOR Ø5/8" BEARING	0303054	4
12	BRACKET, ROLL BRUSH SHAFT IDLER- LEFT REAR	0488174	1
14	BRUSH, OPEN COIL	0336142	1
15	SCREW, HEX HEAD CAP- 3/8-16 x 1" LONG	0346249	8
16	NUT, LOCK- 3/8-16 NYLOCK	0338102	6
17	WASHER, FLAT- 3/8" SAE	0353113	8
18	WASHER, SPLIT LOCK- 3/8"	0353076	2
19	BELT, DRIVE- TANGS Ø3/8" ROUND x 28 1/2" TOTAL LENGTH	0404195	1



NOTES:  
-LEFT REAR ROLL

REVISIONS		DATE
REV	DESCRIPTION	
A	CHANGED MOUNTING BRACKETS TO USE FLANGETTE STYLE BEARINGS.	11/16/16 R.R.J.

USED ON:  
0161389  
FAIRWAY ROLLER (FRANZ-FORMER)

MODEL #:  
OPTION, ROTARY BRUSH SYSTEM FOR 0009090

DATE	3/9/15
DRAWN BY	T.A.S.
PART OF WELDMENT #	---
PART OF SUB-ASSY #	---
PART NAME	ROTARY BRUSH SYSTEM
PART #	0161389
REV.	A

DATE	3/9/15
DRAWN BY	T.A.S.
PART OF WELDMENT #	---
PART OF SUB-ASSY #	---
PART NAME	ROTARY BRUSH SYSTEM
PART #	0161389
REV.	A

SEE ITEM DESCRIPTIONS

1