

Salsco, INC.
LEADER BY DESIGN

MADE IN THE U.S.A

OPERATORS AND PARTS MANUAL ECONO WRAP BALE WRAPPER



MANUFACTURER OF OUTDOOR POWER EQUIPMENT

Products for Turf & Lawn care, Rental, Construction, Tree care, Wood Processing, Nursery & Farm Industries

Other Salsco Equipment

3-1/2" - 18", Gas, Diesel, and P.T.O, Wood/Brush Chippers

Chipper Shredder Vacuum - Tailgate & Truckloader Vacuums up to 65 HP

Bale Grabber - Shaving Mills - Gas and Electric Greens Rollers

*Quality of Workmanship, Innovative
Design, Built to Last!*

105 School House Road
Cheshire, CT 06410 U.S.A.
800-872-5726, 203-271-1682, 203-271-2596 (Fax)
sales@salsco.com, www.salsco.com

TABLE OF CONTENTS

MODEL 09041 ECONO WRAPPER

COVER & TABLE OF CONTENTS.....Pages 1 – 2

STATEMENT OF FACT Page 3

SPECIFICATIONS & FEATURESPage 4

MACHINE REGISTRATIONPage 5

OPERATING & MAINTENANCE INSTRUCTIONSPages 6 - 7

PARTS DIAGRAMSPages 8 - 11

TORQUE CHARTSPage 12

WARRANTY POLICY/PROCEDUREPage 13

COPYOF WARRANTY CLAIM FORM.....Page 14

COPY OF DEALER DELIVERY REPORT & WARRANTY CARD.....Page 15

SERVICE SCHEDULE LOGPage 16

SALSCO, INC.
105 School House Road
Cheshire, CT 06410
800-872-5726, 203-271-1682
203-271-2596 (Fax)
www.salsco.com, sales@salsco.com

STATEMENT OF FACT

You have just purchased the highest quality, most dependable, Bale Wrapper, on the market today. This unit has the ability to meet exact standards and perform for years with minimum downtime. **HOWEVER**, it cannot read nor will it understand this manual no matter how long you leave it on top of the machine.

It is your responsibility to read and understand this manual; it is also your responsibility to be certain this information is passed along to anyone who is expected to operate this equipment. Should you choose not to read, understand and pass along the information provided you, please expect equipment failure and possible injuries to persons around this equipment.

For the safety of the operator, it is **imperative** that this manual is carefully read and understood.

Once you have read this manual, it is your responsibility to be sure that all new operators read and understand this manual, especially all cautions stated.

As a manufacturer of equipment, we have a responsibility to design a safe piece of equipment. **NOTE:** The important safeguards and instructions in this manual are not meant to cover all possible conditions and situations that may occur. It must be understood that common sense, caution, and care are factors, which cannot be built into any product. These factors must be supplied by the person(s) caring for and operating this equipment.

ONLY YOU CAN PREVENT ACCIDENTS!!

SPECIFICATIONS & FEATURES

Econo-Wrap

MODEL 09041

Salsco, INC.
LEADER BY DESIGN

The Salsco Econo-Wrap Bale Wrapper, is a simple, inexpensive alternative to bale wrappers costing several thousand dollars more!



STANDARD FEATURES

- Wrap Counter
- 20"/30" Pre-Tensioner
- Jack Stand
- Stabilizer Pads



OPTIONS

- 5 Hp Briggs & Stratton Power Pack
- 5.5 Hp Honda Power Pack

SPECIFICATIONS

- 1/2" Steel Plate Construction
- 1/4" Wall Square Tubing Main Frame
- 2" Diameter Center Pin
- Dual Drive Rolls
- Tensioner set at full 55% Stretch

- Tensioner set at full 55% Stretch
- 20" or 30" Plastic Can be Used
- Guide Wheels Adjustable for 4' or 5' Bales
- Four Bra Belts
- Polyester Powder Coat Paint



Bale Grabber

MODEL 09009

MADE IN THE U.S.A.

Square, Round, Wet or Dry bales! The answer is the Salsco Bale Grabber. Built tough to do the job!

Universal mounting brackets will mount to tractors having loader arms as close as 26". Both arms operate independently of each other & the machine. Arms are curved to gently handle wrapped bales. The perfect companion for the Salsco Econo Wrap.

STANDARD FEATURES

- Heavy Duty Construction
- Pins, Bushings & Grease Fittings
- Bent Arms Hug Bales Gently
- Hydraulic Cylinder Included
- Polyester Powder Coat Paint

OPTIONS

- Skid Steer Adapter



Quality of Workmanship, Innovative Design, Built to Last!

105 School House Road
Cheshire, CT 06410 U.S.A.
800-872-5726, 203-271-1682, 203-271-2596 (Fax)
sales@salsco.com, www.salsco.com

MACHINE REGISTRATION

MANUFACTURED BY: SALSCO, INC.
105 School House Rd., Cheshire, CT 06410
800-872-5726, 203-271-1682, 203-271-2596 (Fax)
sales@salsco.com www.salsco.com

THIS MANUAL COVERS MODEL (s): 09041, ECONO WRAPPER

This company reserves the right to discontinue, add improvements to, or change the design of any model or product at any time without obligation to improve existing machines, either by changing the design or adding new parts.

It has been and will continue to be the policy of SALSCO to update existing machines at its own discretion. Whenever possible, new designs will be made in such a way that they can be "Retro Fit" if so desired.

Record in the space provided below the model and serial number of this unit. Please retain these numbers for future reference.

No parts orders will be accepted **WITHOUT MODEL NUMBERS OR PART NUMBERS**. All part numbers are listed in this manual.

Serial Number

Model Number

NOTE: Be sure to complete your warranty card. This will insure immediate processing of any warranty claims.

READ AND UNDERSTAND THIS MANUAL BEFORE STARTING THE MACHINE

1/06

MAINTENANCE & OPERATING INSTRUCTIONS

MAINTENANCE:

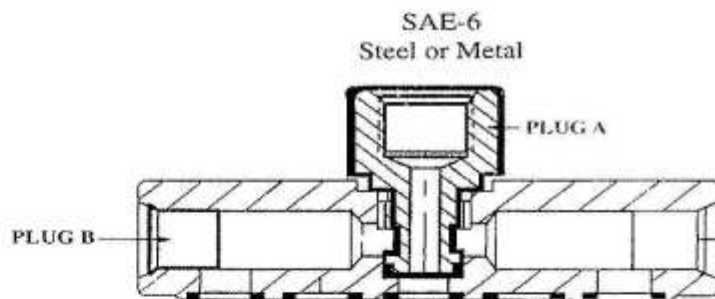
- * Grease turntable once a month. Remove cover on center tube below bra belts, and grease bearing. Also check bevel gears, for end-play and grease them with open gear lubrication. **NOTE:** Should this bearing need to be replaced for any reason, it should be roll pinned as it was from the factory.
- * Grease the four bearings at the end of table rolls weekly.
- * Check chain adjustment on chains under butterfly guard daily. **NOTE:** Tip dump table and look under guard to see if chains are loose. If they are, remove guard and adjust before wrapping.
- * While the table is in the dump position, clean out any hay, string, mesh etc. that may have accumulated around the main shaft and chain.
- * Check turn table chain for adjustment, at the same time.
- * Wheel bearings should be repacked yearly or as required. Check lug bolts and tighten if necessary. Grease bearings as needed. **NOTE:** Tires are not high speed tires and should not exceed towing speeds over 35 M.P.H.

OPERATION

* READ THIS MANUAL!

- * Check your tractor manual to see if tractor hydraulics are compatible with wrapper. (Closed or open). We ship in the open center position. Pictured is the power beyond outlet in the closed position.

HINT: Should you allow someone to borrow your wrapper, be sure to check this. The Salsco wrapper is available either way. To change from close to open, simply switch plug A with plug B.



MV3 POWER BEYOND OUTLET

- * **NOTE:** Machine may be shipped dry. Be aware that until the hydraulic system has oil and has been purged of all air, it may have a mind of its own. The lift arm could fall down. **STAND CLEAR!**
- * Move wrapper to wrapping location. **HINT:** This should be where you plan to store bales. It is a lot easier to move unwrapped bales rather than wrapped bales. Wrapped bales should be handled as little as possible to prevent damage to plastic. Wrapping area should be as level and dry as possible.
- * Pivot pre-tensioner bracket out to the operation position and lock securely with bolts and pins provided.
- * To set this machine for 4' or 5' width bales, move wheel side bumpers in or out as required to achieve 4' or 5' dimension. Bra belts can also be adjusted.

- * Before placing a bale on the wrapper, get familiar with the operation of the control valves. **CAUTION: Keep everyone clear while you're learning the operation of this unit.** Move hydraulic lever marked WRAP, slowly towards you. When you feel comfortable with the lever, you are ready to wrap.

- * Place bale on wrapper, put film on the pre-tensioner. **NOTE:** Plastic can be threaded through A or B first, **HOWEVER**, it must come through C last. **ALSO**, be sure the tacky side is on the inside, facing the bale.

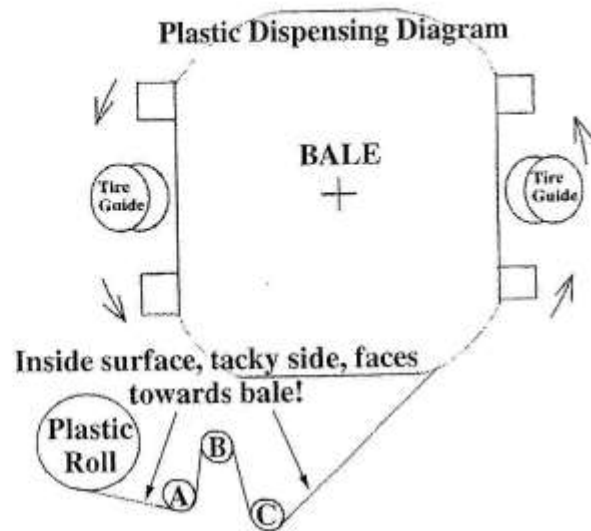
- * Rotate bale slowly once, and stop. If film is not in center of bale, raise or lower pre-tensioner to suit.

- * Pull handle and rotate bale counter clockwise until there's one layer of plastic covering the bale. **STOP!** Check the wrap counter to see what number is displayed. **EXAMPLE:** Number 12 is showing. You should then wrap till the number 24 or 25 is showing. This would give you double coverage, or 4 layers of film. **HINT:** Put at least 2 layers of film on the bale. Depending on the length of storage time you are trying to achieve, it may be advisable to put on 3 layers of plastic.

- * When bale is wrapped to your specifications, slow down wrap process. Put your finger into the film and make a hole. This will cause the film to break and you can now stuff the end of the plastic into a seam on the bale.

- * Stop rotation of the bale in the dump position. **HINT:** Do not come to stop position suddenly. Start to slow rotation down on last 2-3 wraps. Dump position is with the table facing squarely to the rear of the machine. Slowly move the hydraulic valve marked dump. **CAUTION: Make sure no one is in the dumping area or near the wrapper when you are ready to dump.** Never dump down a hill. A runaway bale can cause serious damage.

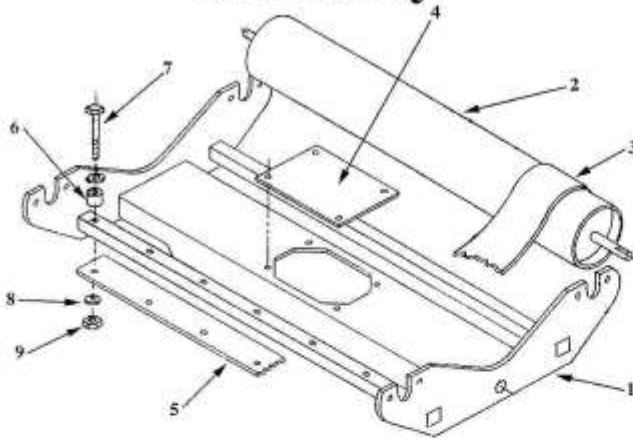
- * You are now ready to wrap another bale. Your tractor should be waiting there with another bale. You now know what number of wraps suited to your operation and your whole procedure should take only about 45 - 60 seconds per bale. **HINT:** When storing bales, stack them on end, two high. They will hold their shape better, and take up less room. Again, after wrapping is done, visually inspect bales. Should there be any rips or holes, now is the time to repair them with ag tape. Ask your plastic supplier.



ECONO WRAP WITH POWER PACK - (MAINTENANCE & OPERATION)

- * Maintenance & operation procedures are the same for the power pack unit as for the standard unit, with the following additions:
- * Check engine manual and follow manufacturers maintenance and operating procedures.
- * Check hydraulic oil monthly and change yearly. Fill tank to 4" below top and use good quality, non-detergent W-32 weight oil. Be sure to fill the hydraulic filter with oil, before installing a new one. Hydraulic filter should be replaced once every 6 months.

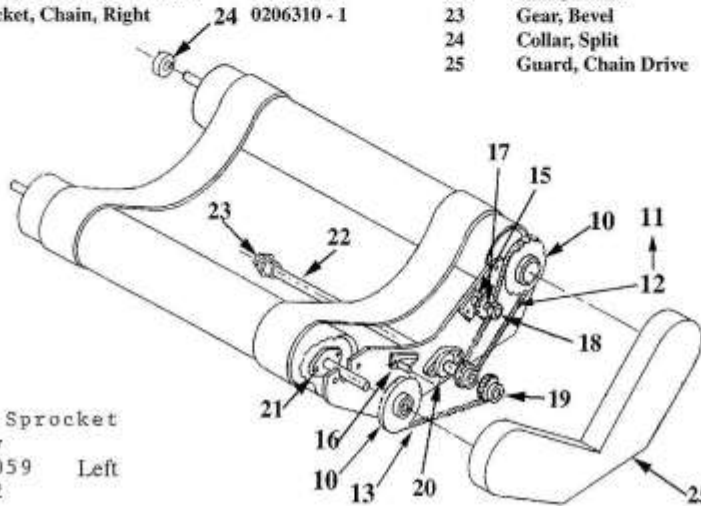
Rolls & Frame Assembly



Item #	Description	Part # & Qty.
1	Frame, Rotating	0219121 - 1
2	Tube, Roller	0267064 - 2
3	Belt, Continuous	0304024 - 4
4	Cover, Frame Top	0471020 - 1
	Screws, Button Head	
	For Item # 4	0346082 - 4
5	Guard, Hay	0421068 - 2
	Washers, Fender	
	For Item # 5	0353205 - 6
6	Tube, PVC	0467088 - 16
7	Bolt, Hex Head	0346314 - 16
8	Washer, Flat	0353103 - 32
9	Nut, Lock	0338103 - 16

Rolls & Frame Sub-Assembly

Item #	Description	Part # & Qty.	Item #	Description	Part # & Qty.
10	Sprocket, Drive 20" Tens.	0351032 - 2	16	Bracket, Chain, Left	0206309 - 1
10	Sprocket, Drive 30" Tens.	0351034 - 2	17	Sprocket, Idler, 20"/30" Tens.	0351011 - 2
11	Link, Master	0309006 - 3	18	Collar, Split	0311021 - 6
12	Chain, Right Side, 20" Tens.	0309015 - 1	19	Sprocket, 20"/30" Tens.	0351005 - 2
	Chain, Right side, 30" Tens.	0309044 - 1	20	Bearing, Flange	0303006 - 2
13	Chain, Left Side, 20" Tens.	0309020 - 1	21	Bearing, Flange	0303031 - 4
	Chain, Left Side, 30" Tens.	0309043 - 1	22	Shaft, Pinion	0448043 - 1
15	Bracket, Chain, Right	0206310 - 1	23	Gear, Bevel	0363002 - 1
			24	Collar, Split	0311020 - 4
			25	Guard, Chain Drive	0221106 - 1



Right

2/97

NOTE:
20"/30" Sprocket
Assembly
Pt. 0351059 Left
QTY. - 2

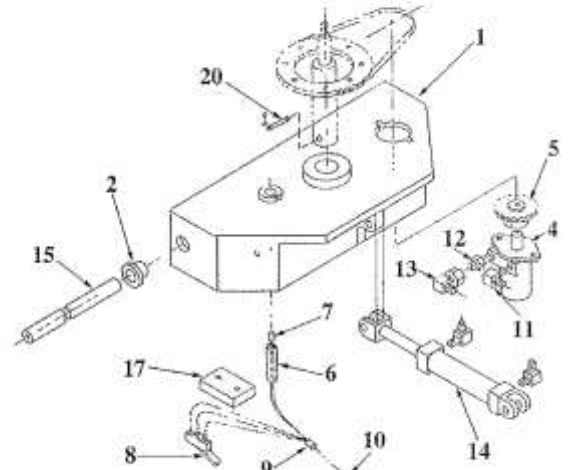
PIVOT HOUSING ASSEMBLY

ITEM #	DESCRIPTION	PART #	QTY.
1	Housing, Pivot	0228052	1
2	Bushing, Bronze	0307005	2
4	Motor, Hydraulic	0330024	1
5	Sprocket, Welded, w/Woodruff Key	0251027	1
11	Adapter, 90 Degree	0317049	3
12	Adapter	0317050	1
13	Adapter, 90 Degree	0317006	1
14	Cylinder, Hydraulic	0330033	1
15	Shaft, Wheel	0119079	2
	Shaft, Wheel Lift Arm	(see lift arm dwg.)	
20	Pin, Locking	0440040	1

COUNTER PARTS

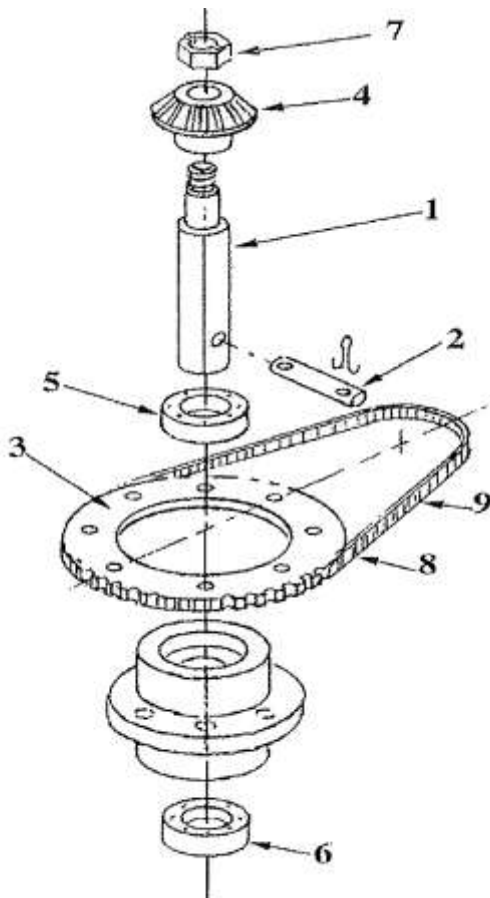
ITEM #	DESCRIPTION	PART #	QTY.
6	Tubing, Aluminum	0340028	1
7	Switch, Magnetic Contact	0315038	1
8	Switch, Snap Action	0315072	1
9	Nut, Wire	0315049	1
10	Wire, Conductor	0315037	1
17	Box, Cable	0308017	1

Pivot Housing Assembly



Magnetic Counter Assembly

PIVOT HOUSING SHAFT ASSEMBLY

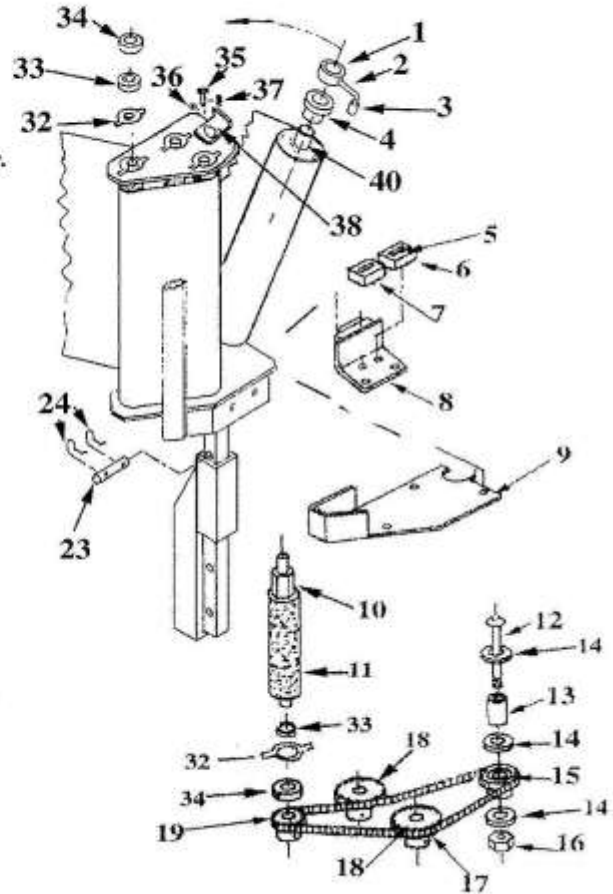


PIVOT HOUSING SHAFT ASSEMBLY

ITEM #	DESCRIPTION	PART #	QTY.
1	Shaft, Pivot	0448034	1
2	Pin, Locking	0440040	1
3	Sprocket, Altered	0451028	1
4	Gear, Altered Bevel	0451019	1
5	Bearing, Tapered Roller	0303038	1
6	Cone & Cup	0303038	1
7	Nut, Castle	0338210	1
8	Chain, #50 (56 pitches)	0309016	1
9	Link, Master	0309008	1

20"/30" Tensioner Assembly

Item #	Description	Part # & Qty.
1	COLLAR, SET	0311007 - 1
2	HANDLE, COLLAR	0423039 - 1
3	GRIP, PLASTIC	0332014 - 1
4	HOLDER, PLASTIC ROLL	0281005 - 2
5	BOX, COUNTER	0280006 - 2
6	COUNTER, WRAP MODULE	0315051 - 1
7	COUNTER, DUMP MODULE	0315051 - 1
8	MOUNT, COUNTER BOX	0276103 - 1
9	GUARD, PLASTIC DISPENSER	0221111 - 1
10	GUIDE, PLASTIC ROLL 20" Plastic	0422022 - 3
	GUIDE, PLASTIC ROLL 30" Plastic	3
11	HOSE, GUIDE COVER 20" Plastic	0327089 - 3
	HOSE, GUIDE COVER 30" Plastic	3
12	BOLT, CARRIAGE	0346530 - 1
13	TUBING, 5/8" I.D. X 1 3/8"	STOCK
14	WASHER, FLAT	0353110 - 3
15	SPROCKET, IDLER	0351011 - 1
16	NUT, LOCK	0338105 - 1
17	CHAIN, PLASTIC WRAP	0309017 - 1
18	SPROCKET	0351002 - 2
19	SPROCKET	0351018 - 1
23	PIN, ARM LOCK	0440039 - 1
24	PIN, HITCH	0340006 - 2
32	FLANGETTE, BEARING	0303005 - 12
33	BEARING, INSERT	0303023 - 6
34	COLLAR, SET	0311006 - 6
35	BOLT, 3/8 X 16 X 2"	0346207 - 1
36	WASHER, SAE	0353127 - 2
37	SPRING	1
38	BRACKET, TILT SHAFT	0410078 - 1
40	SHAFT, PLASTIC ROLL HOLDER 20" Plastic	0281025 - 1
	SHAFT, PLASTIC ROLL HOLDER 30" Plastic	

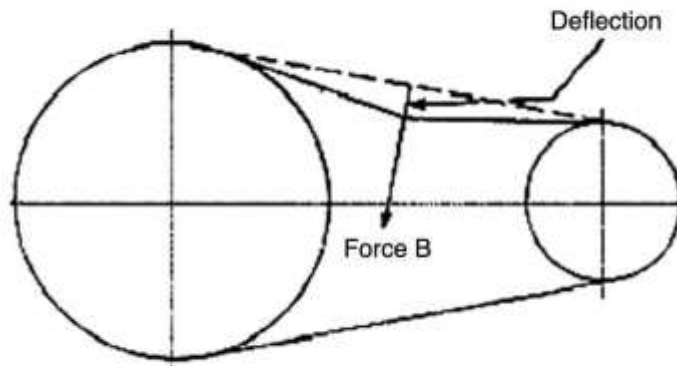


Below is a quick reference chart for various “Flat Head Cap Screws” and the torque recommendations.

VALUES ARE STATED IN FOOT POUNDS

BOLT SIZE	Thds Per Inch	SAE Grade 5	SAE Grade 8
1/4	20	10	14
	28	---	---
5/16	18	19	29
	24	---	---
3/8	16	33	47
	24	---	---
7/16	14	54	78
	20	---	---
1/2	13	78	119
	20	---	---
9/16	12	114	169
	18	---	---
5/8	11	154	230
	11	---	---
3/4	10	257	380
	10	---	---
7/8	9	382	600
	9	---	---
1	8	587	700
	8	---	---

Drive Belt Tension Measurement by Deflection



Deflection should be 3/8" when 8-12 lbs. push is applied at "B"

WARRANTY POLICY

Please remember to complete and return your Warranty Card and Dealer Delivery Report. Warranty Claims will not be considered if the Warranty Card and Dealer Delivery Report have not been returned to Salsco.

Your Salsco Commercial or Turf Equipment product is a commercial type product and is normally manufactured and sold for commercial or industrial use. **Salsco will, for the original purchaser, for one (1) year from the date of purchase (90 days if used for rental purposes) repair or replace, free of charge, any SALSCO part or parts found to be defective in material, workmanship or both.** Any transportation or shipping charges will be borne by the purchaser. If, during the warranty period stated above, the product does not function properly due to defect, simply contact Salsco and follow the Warranty Procedures included in this manual.

This warranty **does not** include:

- Incidental or consequential damages and is exclusive of any implied warranties.
- Normal maintenance parts, including, but not limited to hoses, chains, belts, filters, lubricants, etc.
- Parts or components, which are covered under the original manufacturer warranty, including, but not limited to engines, pumps, and motors.

WARRANTY PROCEDURE

In order for Salsco to consider your warranty claims in a timely manner you must follow the simple procedures listed below:

MACHINE OR PART FAILURE

- Call our service department for helpful instruction on how to correct or repair the problem. Preventive maintenance will also be suggested.
- When ordering parts for Warranty issues, you **MUST** retain possession of the old parts in question until notified with respect to returning the parts to Salsco or other disposition.
- Warranty Claims **MUST** be filed within 30-days from completion of the work performed. Contact our office for an electronic warranty claim form.
- Fill in all information requested on warranty claim form, a copy of which is included in this manual, (date of purchase, company name, address, etc.). List all parts used. Make sure part numbers are correct. You can obtain these from your manual. (include good description of problem; i.e. "leaking from spool" rather than "leaking").
- It is our goal to consider and reach a disposition on each Warranty Claim within 30-days from the date that it is received. Therefore it is important that you respond promptly to any request for further information. Claims with no response to inquiries will be closed as "**denied for lack of response**" 90-days from the date of request.
- Email, Fax or Send Warranty Claim form to our Warranty Department. – **Warranty on parts most often requires return of the parts that were replaced.** DO NOT DISCARD OLD PARTS UNTIL YOU HAVE RECEIVED A DETERMINATION AS TO WHETHER THESE PARTS MUST BE RETURNED.
- Our Warranty Department will contact and instruct you on how to return the Parts to Salsco on an RA #. Returns **MUST** be made within 30-Days from issuance of RA #. **FREIGHT CHARGES ON RETURN OF PARTS IS THE RESPONSIBILITY OF THE CUSTOMER.** Normal pre-delivery adjustments are not covered under warranty. Labor Warranties are based on reasonable time allowances as determined by Salsco, Inc. and paid at 75% of posted labor rate. **TRAVEL TIME IS NOT REIMBURSED UNDER THE WARRANTY POLICY.**
- Be sure to put the RA form inside the box that you are shipping back, also be sure to put on the outside of the box "Return of Goods" and the RA #.
- Ship returns via a traceable method such as UPS Ground Service. Be sure that the shipment is insured for the appropriate value. If uninsured parts are lost, we cannot issue a credit.

PLEASE NOTE: *Warranty forms should be filled out completely.*

PREVENTIVE MAINTENANCE IS YOUR BEST INSURANCE AGAINST EQUIPMENT FAILURE. BE SURE TO READ THIS MANUAL, ESPECIALLY THE MAINTENANCE, OPERATING AND CAUTION SECTIONS.

SALSCO, INC., 105 School House Rd.
Cheshire, CT 06410
800-872-5726, 203-271-1682
203-271-2596 (Fax)
sales@salsco.com, www.salsco.com

Salsco, Inc.

105 School House Rd.
Cheshire, CT 06410
203-271-1682

sales@salsco.com
www.salsco.com

800-872-5726
203-271-2596 (Fax)

DEALER DELIVERY REPORT

MODEL		SERIAL NO				
DEALER		CITY	STATE	ZIP		
PURCHASER (Last Name or Company)	(First Name)	(Middle Name)	ADDRESS	CITY	STATE	ZIP

The undersigned dealer warrants that the above-described machine was carefully inspected, adjusted and prepared for delivery before delivery to the purchaser; that both the operation and maintenance of the machine were explained to the purchaser; and that a copy of the Owner's Instruction Manual were given to the purchaser and his attention called to Our Warranty and any operating instructions included in the manual and caution notes.

The undersigned purchaser certifies that the operation and maintenance of the above-described machine have been explained to him; acknowledges receipt of a copy of the Owner's Instruction Manual and Our Warranty Policy printed in said Instruction Manual and Caution Notes. I also understand that it is my responsibility to explain and make Salsco manuals available to new operators.

Date

Dealer

Sign By

Phone

Date

Purchaser

Sign By

Phone

Email

FACTORY COPY WHITE - DEALER'S COPY YELLOW - OWNER'S COPY PINK

SERIAL #

MODEL NO.

SALSCO LIMITED WARRANTY CARD

1. DATE PURCHASED: _____
2. PURCHASER: _____
3. PURCHASER ADDRESS: _____

4. EMAIL ADDRESS: _____
5. DEALER: _____
6. DEALER ADDRESS: _____
7. WILL THIS EQUIPMENT BE USED COMMERCIALY? YES NO
8. DID DEALER SERVICE THIS EQUIPMENT AND INSTRUCT YOU IN ITS CARE AND SAFE OPERATION ? YES NO
9. DID YOU RECEIVE AN "OPERATION & SERVICE MANUAL" AND SAFETY PAMPHLET? YES NO

NOTICE

SIGNED _____

Purchaser

IMPORTANT: THIS CARD MUST BE FILLED OUT COMPLETELY AND MAILED TO THE FACTORY WITHIN 10 DAYS OF PURCHASE DATE, OR YOUR LIMITED WARRANTY WILL BE VOIDED.

WHITE - DEALER

YELLOW - OWNER

CARD - FACTORY

