

**Salsco, Inc.**  
LEADER BY DESIGN

MADE IN THE U.S.A

## OPERATORS AND PARTS MANUAL COBRA CURBER



---

**MANUFACTURER OF OUTDOOR POWER EQUIPMENT**

Products for Turf & Lawncare, Rental, Construction, Tree care, Wood Processing, Nursery & Farm Industries

*Other Salsco Equipment*

**3-1/2" - 18", Gas, Diesel, and P.T.O, Wood/Brush Chippers  
Chipper Shredder Vacuum - Tailgate & Truckloader Vacuums up to 65 HP  
Shaving Mills - Gas and Electric Greens Rollers**

***Quality of Workmanship, Innovative  
Design, Built to Last!***

105 School House Road  
Cheshire, CT 06410 U.S.A.  
800-872-5726, 203-271-1682, 203-271-2596 (Fax)  
sales@salsco.com, www.salsco.com

**TABLE OF CONTENTS**  
**MODEL COBRA CURBER DESCRIPTION**

COVER & TABLE OF CONTENTS.....Pages 1 – 2

STANDARD MOLD SAMPLES .....Page 3

STATEMENT OF FACT ..... Page 4

MACHINE REGISTRATION .....Page 5

SAFETY & OPERATING INSTRUCTIONS .....Page 6 - 7

SERVICE & MAINTENANCE INSTRUCTIONS .....Page 8

PARTS DIAGRAMS .....Pages 9 - 13

TORQUE CHARTS .....Page 14

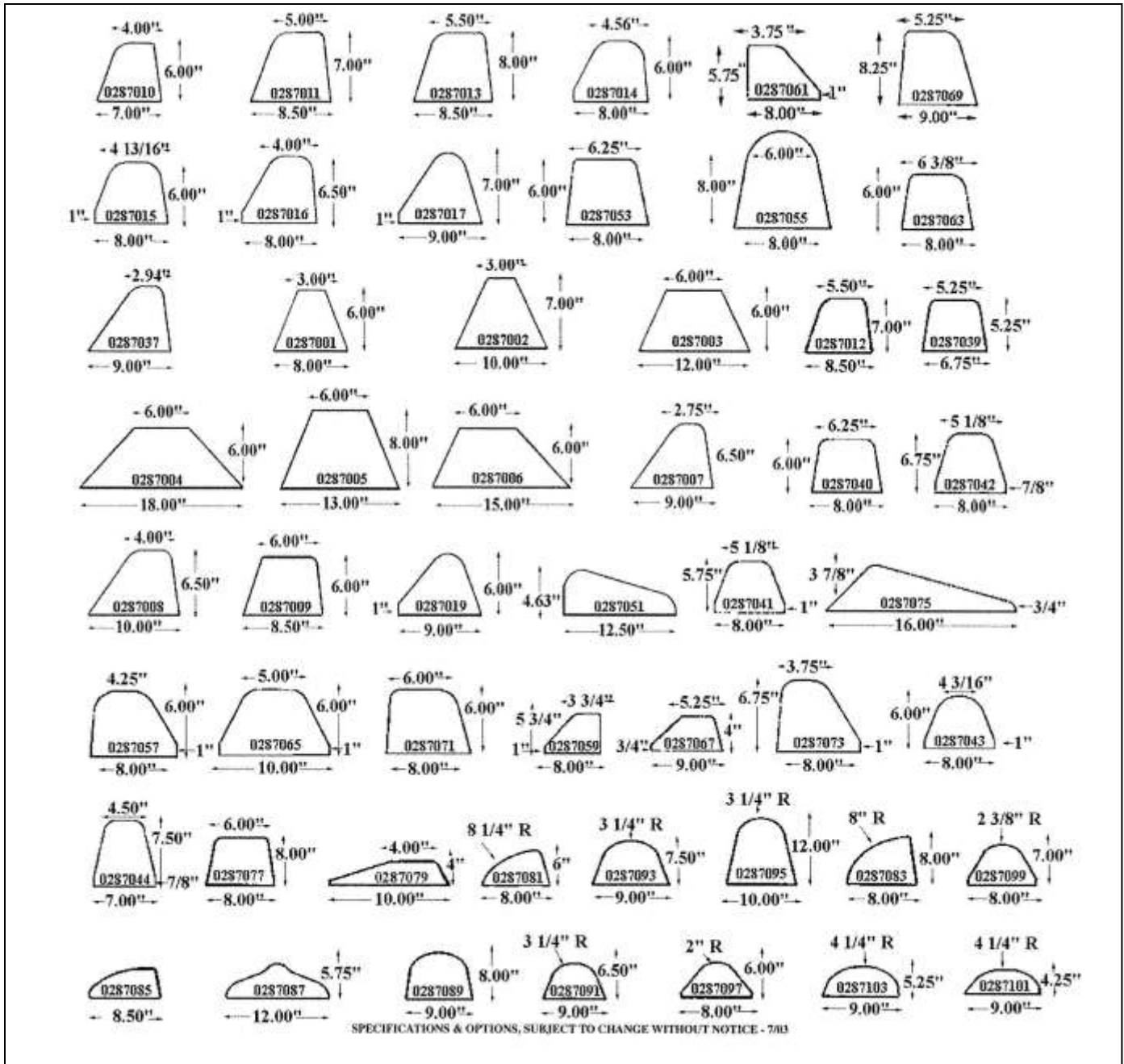
WARRANTY POLICY/PROCEDURE .....Page 15

COPY OF WARRANTY CLAIM FORM.....Page 16

SERVICE SCHEDULE LOG .....Page 17

SALSCO, INC.  
105 School House Road  
Cheshire, CT 06410  
800-872-5726, 203-271-1682  
203-271-2596 (Fax)  
[www.salsco.com](http://www.salsco.com), [sales@salsco.com](mailto:sales@salsco.com)

Pictured below are most of the Standard Molds that are available. Should you require something that is not listed below, Special Order Molds can be manufactured by Salsco.



## **STATEMENT OF FACT**

You have just purchased the highest quality, most dependable, Curber, on the market today. This unit has the ability to meet exact standards and perform for years with minimum downtime. HOWEVER, it cannot read nor will it understand this manual no matter how long you leave it on top of the machine.

**It is your responsibility** to read and understand this manual; it is also your responsibility to be certain this information is passed along to anyone who is expected to operate this equipment. Should you choose not to read, understand and pass along the information provided you, please expect equipment failure and possible injuries to persons around this equipment.

For the safety of the operator, it is **imperative** that this manual is carefully read and understood.

Once you have read this manual, it is your responsibility to be sure that all new operators read and understand this manual, especially all cautions stated.

As a manufacturer of equipment, we have a responsibility to design a safe piece of equipment. NOTE: The important safeguards and instructions in this manual are not meant to cover all possible conditions and situations that may occur. It must be understood that common sense, caution, and care are factors, which cannot be built into any product. These factors must be supplied by the person(s) caring for and operating this equipment.

**ONLY YOU CAN PREVENT ACCIDENTS!!**

## MACHINE REGISTRATION

MANUFACTURED BY: SALSCO, INC.  
105 School House Rd., Cheshire, CT 06410  
800-872-5726, 203-271-1682, 203-271-2596 (Fax)  
[sales@salsco.com](mailto:sales@salsco.com) [www.salsco.com](http://www.salsco.com)

THIS MANUAL COVERS MODEL (s): COBRA CURBER:

This company reserves the right to discontinue, add improvements to, or change the design of any model or product at any time without obligation to improve existing machines, either by changing the design or adding new parts.

It has been and will continue to be the policy of SALSCO to update existing machines at its own discretion. Whenever possible, new designs will be made in such a way that they can be "Retro Fit" if so desired.

Record in the space provided below the model and serial number of this unit. Please retain these numbers for future reference.

No parts orders will be accepted **WITHOUT MODEL NUMBERS OR PART NUMBERS**. All part numbers are listed in this manual.

\_\_\_\_\_  
Serial Number

\_\_\_\_\_  
Model Number

NOTE: Be sure to complete your warranty card. This will insure immediate processing of any warranty claims.

**READ AND UNDERSTAND THIS MANUAL BEFORE STARTING THE MACHINE**

1/06

## SAFETY PRECAUTIONS

The following safety precautions are suggested to help prevent accidents

A careful operator is the best operator. Most Accidents can be avoided by observing certain precautions. Read and take the following precautions before operating this machine to help prevent accidents. Equipment should be operated only by those who are responsible and instructed to do so.

1. Read the owner's manual **BEFORE** operating this machine.
2. Know the controls and their functions prior to operation.
3. Know how to shut it off quickly.
4. **DO NOT** modify/alter or allow anyone else to modify/alter this machine or any of its components or any functions.
5. **DO NOT** allow children, or anyone not trained in the operation of this machine, operate this machine.
6. **DO NOT** allow adults to operate this machine without proper instruction.
7. **DO NOT** use this machine unless the area of operation is clear of all persons, especially small children.
8. **ALL** shields and guards **MUST** be in place prior to operation.
9. Replace safety warning and operation decals when they become damaged.
10. **DO NOT** leave operator's position while engine is running.
11. **DO NOT** Operate on severe slopes, hills or embankments.
12. **DO NOT** use gasoline to clean parts.
13. **NEVER** replace missing fuel caps with approved replacements.
14. **DO NOT** operate with air filter or cover missing.
15. **DO NOT** operate with faulty or missing muffler.
16. **DO NOT** operate gasoline engines indoors.
17. Keep people and pets a safe distance from machine.
18. **ALWAYS** shut engine off and disconnect spark plug wire before servicing this and all machines.
19. Handle gasoline with care. It is highly flammable.
20. Use only approved gasoline storage containers.
21. **DO NOT** attempt to fill gas tank from fuel container unless the spout or funnel fits inside the fuel tank.
22. **NEVER** fill gas tanks indoors.
23. **NEVER** take the cap off or refuel while the engine is running or hot: allow the engine to cool for several minutes.
24. **DO NOT** smoke while refueling or anywhere near fuel.
25. **DO NOT** store, spill or use gas near open flame.
26. Wipe up any spills immediately.
27. **DO NOT** fill tank to capacity; allow room for expansion.

NEVER OPERATE THIS UNIT WITHOUT GUARDS PROPERLY INSTALLED

## **OPERATING INSTRUCTIONS**

1. Spray inside of Hopper, Compaction Tube and Mold with No. 2 fuel oil or kerosene.
2. Measure and strike a chalk line on pavement in relation to the inside edge of the curb. Depending on the mold style you choose this could be 4" - 8".
3. Put your Cobra Curber in place over the line.
4. Align the pointer so it is even with the inside edge of your mold, and directly over the chalk line.
5. Adjust the front wheel assembly to avoid driving in tack coat. (if used)
6. Adjust all wheels so both edges of your mold are even, and resting on the base course.
7. Apply a light tack coat ahead of the curber, in the path of the curb mold.
8. Start your engine and allow it to warm up. When the engine is warm increase throttle speed, this engages the clutch to start the auger rotating.
9. Fill the hopper slowly and allow the mold to fill and pack with asphalt. It may be necessary to block the opening of the mold to compact material.
10. At this point the force of extruded asphalt will start the curber in a forward motion.
11. Fill the hopper steadily and steer it directly over the line.
12. At the end of the run, throttle engine down to stop extruding and cut and shape with shovel.

NOTES: It's advisable to use tack coat on base coarse, binder, and topcoat. (Not always needed on new bituminous pavement.)

You should start a run 12" or so before the desired area and cut off at desired point with shovel.

Pavement jobs should be planned so you use up all materials at end of curb laying.

The COBRA CURBER is designed for optimum compaction of asphalt. Greater compaction may be obtained on uphill and down grade by raising the rear wheels. This transfers the weight to the curb form.

DO NOT allow material to remain in hopper when not in operation.

NEVER OPERATE THIS UNIT WITHOUT GUARDS INSTALLED

## **MAINTENANCE**

The COBRA CURBER is designed to give the utmost in service with a minimum of breakdowns, but to do this, an inspection schedule by the operator must be used.

### **DAILY:**

1. Check crankcase oil level. (Use and change in accord with engine manufacturer's instructions)
2. Check fuel. Use a clean dry container and fresh fuel.
3. Check and clean air filter.
4. Check engine, exhaust, carburetor, etc. for secure attachment.

### **LUBRICATION:**

1. There are 9-grease fittings on your Cobra Curber; one on each of the wheels, on the tie rod ends, on each of the auger shaft bearings, and on the rear height adjuster. These should be greased regularly.
2. A spray lubricant should be applied to the throttle and choke cable.
3. Apply Grease to the front height adjuster gears; they are located under the plastic caps.

### **GENERAL MAINTANCE:**

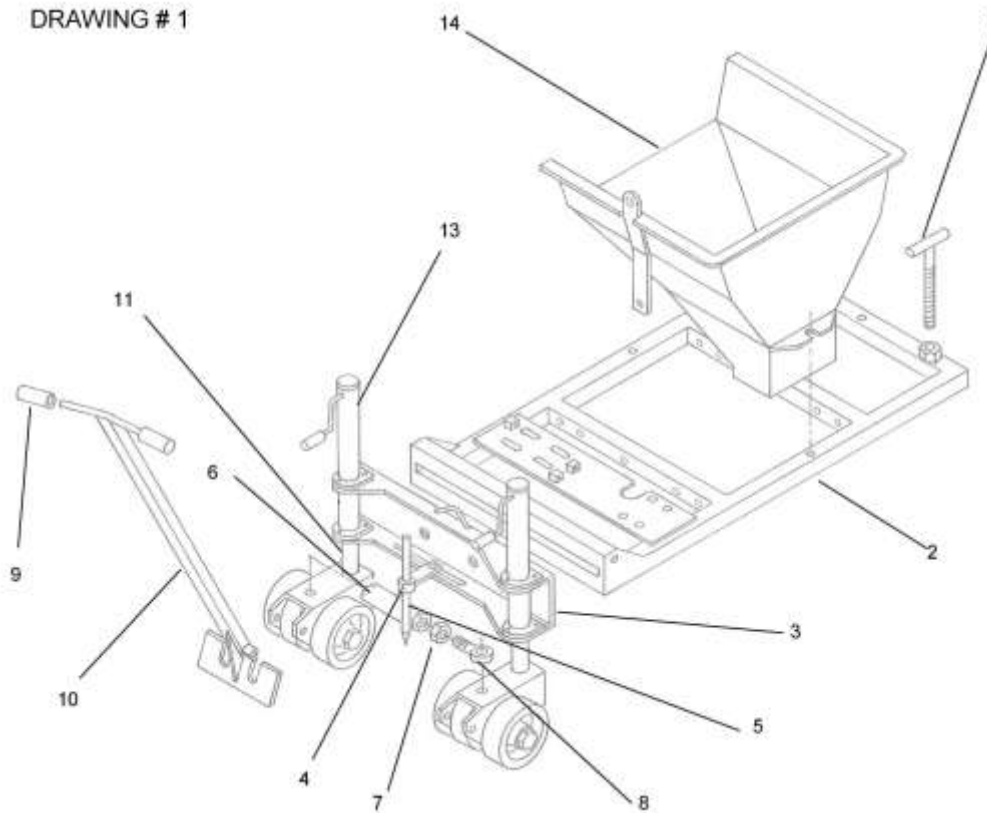
1. Always remove all asphalt/concrete from hopper at the end of every workday. Be sure to get all deposits in auger area, and compaction tube.
2. Gearbox lubricant should be changed every 25-hours. Replace fluid with approved 90-weight gear oil.
3. The air filter located on the engine should be replaced after every 20-hours of use, or as conditions warrant. Use only approved replacement parts at all times.
4. Belts should be check periodically and adjusted as needed. Tension is obtained by loosening the engine and tightening the adjuster bolt provided.

**ALWAYS SHUT OFF ENGINE, REMOVE KEY, AND DISCONNECT SPARK PLUG WIRE BEFORE SERVICING. BE SAFE – NOT SORRY!**

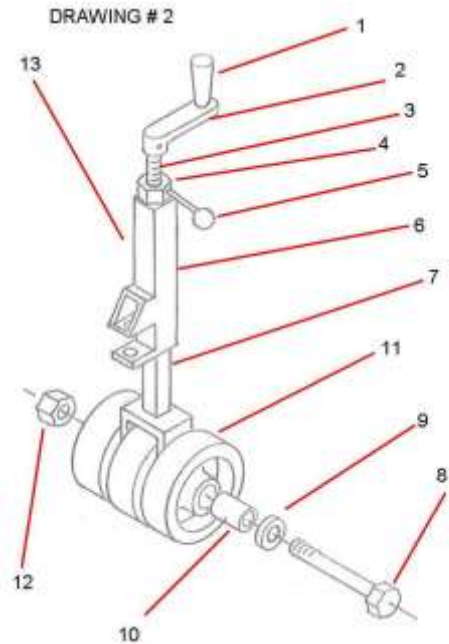
<b>DRAWING # 1</b>			
<b>ITEM #</b>	<b>DESCRIPTION</b>	<b>PART #</b>	<b>QTY.</b>
1	Adjuster, Mold Tension	0201007	1
2	Frame, Main	0219228	1
3	Frame, Pivot - Front	0219351	1
4	Support, Pointer	0277093	1
5	Rod, Pointer	0445097	1
6	Rod, Tie, Front	0245098	1
7	Jam Nut	0338051	2
8	Rod End	0303044	2
9	Handle, Rubber	0332009	2
10	Handle, Steering	0223057	1
11	Jack, Front, Inner Pivot	0269049	2
13	Jack, Front, Outer Tube	0269013	2
14	Hopper	0226069	1

**NOTE: SEE DWG. # 5 FOR WHEEL ASSEMBLY**

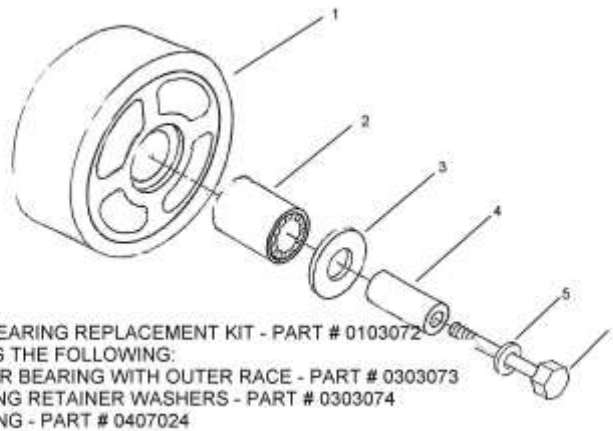
Rev. 11/23/2011



<b>DRAWING # 2 – REAR JACK ASSEMBLY</b>			
<b>ITEM #</b>	<b>DESCRIPTION</b>	<b>PART #</b>	<b>QTY.</b>
1	Handle, Alum	0323065	1
2	Handle, Crank	0223063	1
3	Jack, Rear, Screw	0269016	1
4	Lever, Locking	0233089	1
5	Knob	0332005	1
6	Jack, Rear, Outer WDMT.	0269011	1
7	Jack, Rear, Inner WDMT.	0269012	1
8	Axle, Wheels	0202056	3
9	Washer, Flat	0353110	6
10	Bushing, Wheels	0407024	9
11	Wheel	0354048	9
12	Lock Nut	0338105	3
13	Jack, Rear, Sub-Assembly	0169010	1



**DRAWING #5**

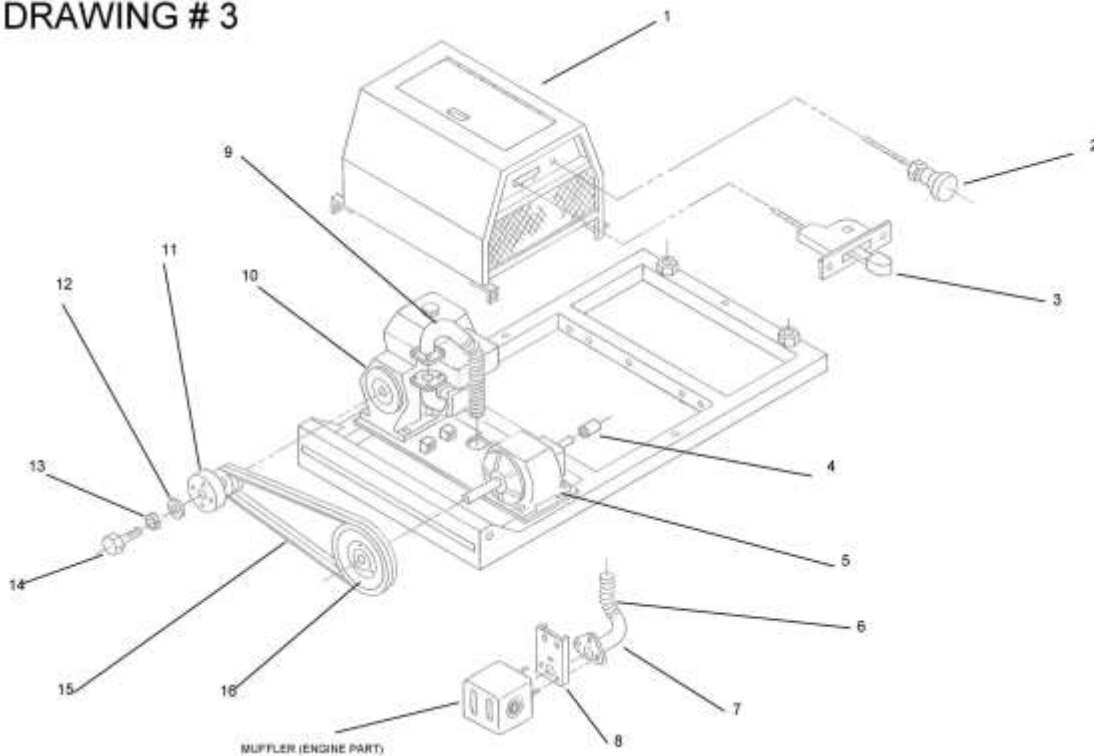


<b>DRAWING # 5 – FRONT &amp; REAR WHEEL ASSEMBLY</b>			
<b>ITEM #</b>	<b>DESCRIPTION</b>	<b>PART #</b>	<b>QTY.</b>
1	8" Wheel Assy. (Complete with Bearing Installed)	0354048	1
2	Roller Bearing with Outer Race	0303073	1
3	Bearing Retainer Washer	0303074	1
4	Bushing	0407024	1
5	Washer	0353110	1
6	Wheel Axle Bolt	0202056	1

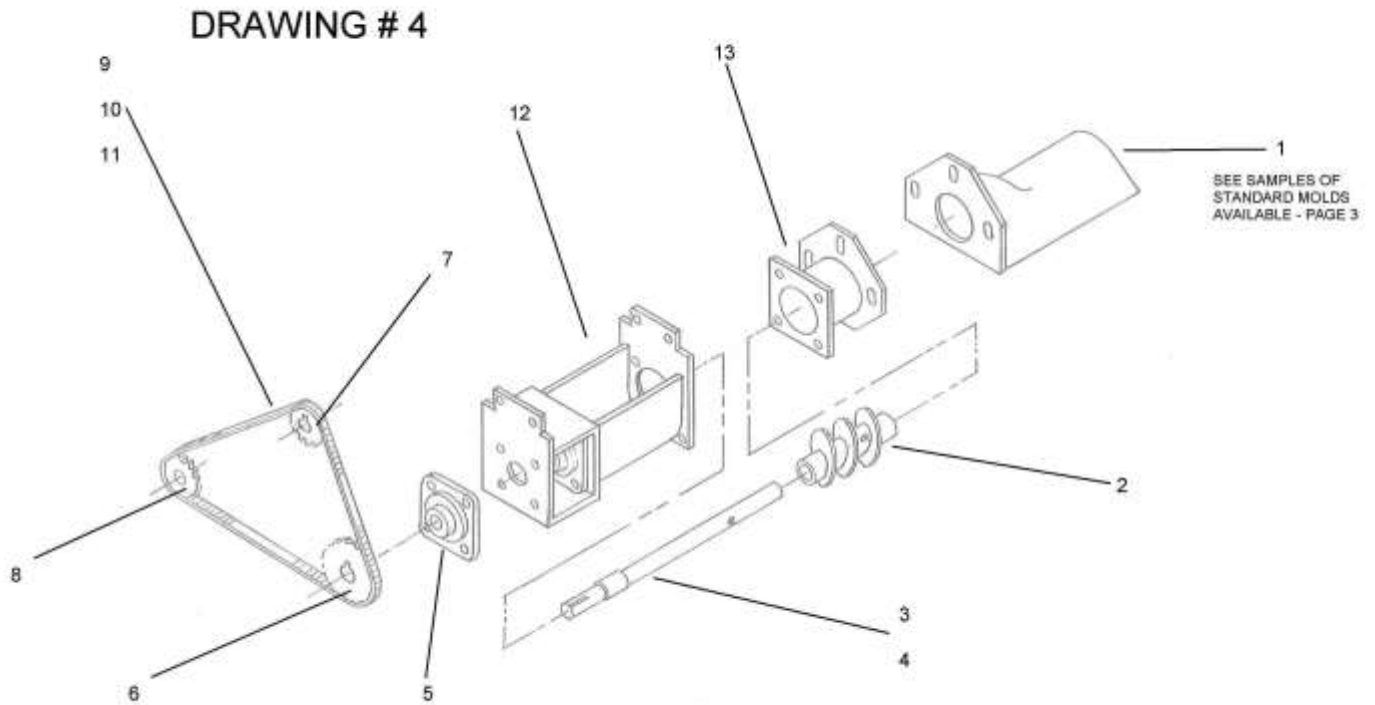
<b>DRAWING # 3</b>			
<b>ITEM #</b>	<b>DESCRIPTION</b>	<b>PART #</b>	<b>QTY.</b>
1	Enclosure, Engine	0237166	1
2	Choke, Cable Assembly	0337154	1
3	Throttle, Cable Assembly	0308035	1
4	Bushing	0307025	1
5	Gear Reducer	0337169	1
6	Exhaust Metal Hose	0337173	1
7	Exhaust Elbow, Muffler	0237172	1
8	Bracket, Muffler	0406456	1
9	Exhaust Elbow, Eng.	0237171	1
10	Engine, 13HP Honda	0337023	1
11	Clutch, Assembly	0337167	1
12	Washer, Flat	0353102	1
13	Washer, Lock	0353103	1
14	Bolt, Hex HD	0346243	1
15	"V" Belt, Single	0304044	2
16	Pulley	0342095	1

**NOTE: Should you have the old style Throttle Cable (which is no longer available), and you are replacing it with the new style Throttle Cable, please see page 13 for hole placement to upgrade to the new style Throttle Cable.**

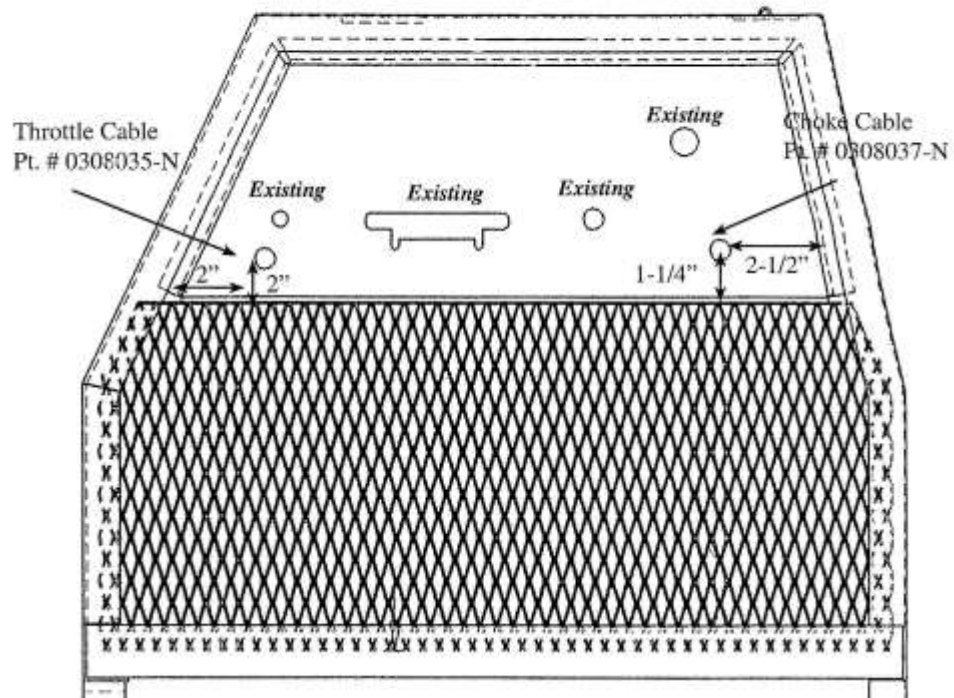
**DRAWING # 3**



<b>DRAWING # 4</b>			
<b>ITEM #</b>	<b>DESCRIPTION</b>	<b>PART #</b>	<b>QTY.</b>
1	Mold	See Page 3	1
2	Auger, Cast - 2 Piece	0336102	1
3	Shaft, Auger - Single Hole	0248115	1
4	Shaft, Auger - Double Hole	0248165	1
5	Bearing	0303045	2
6	Sprocket, Auger Shaft	0351070	1
7	Sprocket, Gear Reducer	0351071	1
8	Sprocket, Idler	0351072	1
9	Chain, Roller	0309048	1
10	Master Link	0309049	1
11	Half Link	0309050	1
12	Auger Hsg	0236090	1
13	Auger Tube	0236089	1



**HOLE PLACEMENT TO UPGRADE FOR  
NEW STYLE THROTTLE CABLE & CHOKE**

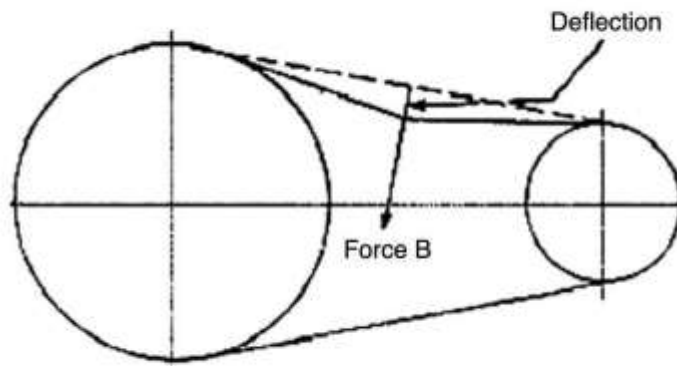


Below is a quick reference chart for various “Flat Head Cap Screws” and the torque recommendations.

**VALUES ARE STATED IN FOOT POUNDS**

BOLT SIZE	Thds Per Inch	SAE Grade 5	SAE Grade 8
1/4	20	10	14
	28	---	---
5/16	18	19	29
	24	---	---
3/8	16	33	47
	24	---	---
7/16	14	54	78
	20	---	---
1/2	13	78	119
	20	---	---
9/16	12	114	169
	18	---	---
5/8	11	154	230
	11	---	---
3/4	10	257	380
	10	---	---
7/8	9	382	600
	9	---	---
1	8	587	700
	8	---	---

Drive Belt Tension Measurement by Deflection



Deflection should be 3/8" when 8-12 lbs. push is applied at "B"

## **WARRANTY POLICY**

Please remember to complete and return your Warranty Card and Dealer Delivery Report. Warranty Claims will not be considered if Warranty Cards and Dealer Delivery Reports have not been returned to Salsco.

Your Salsco Commercial or Turf Equipment product is a commercial type product and is normally manufactured and sold for commercial or industrial use. **Salsco will, for the original purchaser, for one (1) year from the date of purchase (90 days if used for rental purposes) repair or replace, free of charge, any SALSCO part or parts found to be defective in material, workmanship or both.** Any transportation or shipping charges will be borne by the purchaser. If, during the warranty period stated above, the product does not function properly due to defect, simply contact Salsco and follow the Warranty Procedures included in this manual.

This warranty **does not** include:

- Incidental or consequential damages and is exclusive of any implied warranties.
- Normal maintenance parts, including, but not limited to hoses, chains, belts, filters, lubricants, etc.
- Parts or components, which are covered under the original manufacturer warranty, including, but not limited to engines, pumps, and motors.

## **WARRANTY PROCEDURE**

In order for Salsco to consider your warranty claims in a timely manner you must follow the simple procedures listed below:

### MACHINE OR PART FAILURE

- a) Call our service department for helpful instruction on how to correct or repair the problem. Preventive maintenance will also be suggested.
- b) When ordering parts for Warranty issues, you **MUST** retain possession of the old parts in question until notified with respect to returning the parts to Salsco or other disposition.
- c) Warranty Claims **MUST** be filed within 30-days from completion of the work performed. Contact our office for an electronic warranty claim form.
- d) Fill in all information requested on warranty claim form, a copy of which is included in this manual, (date of purchase, company name, address, etc.). List all parts used. Make sure part numbers are correct. You can obtain these from your manual. (Include good description of problem; i.e. "leaking from spool" rather than "leaking").
- e) It is our goal to consider and reach a disposition on each Warranty Claim within 30-days from the date that it is received. Therefore it is important that you respond promptly to any request for further information. Claims with no response to inquiries will be closed as "**denied for lack of response**" 90-days from the date of request.
- f) Email, Fax or Send Warranty Claim form to our Warranty Department. – **Warranty on parts most often requires return of the parts that were replaced. DO NOT DISCARD OLD PARTS UNTIL YOU HAVE RECEIVED A DETERMINATION AS TO WHETHER THESE PARTS MUST BE RETURNED.**
- g) Our Warranty Department will contact and instruct you on how to return the Parts to Salsco on an RA #. Returns **MUST** be made within 30-Days from issuance of RA #. **FREIGHT CHARGES ON RETURN OF PARTS IS THE RESPONSIBILITY OF THE CUSTOMER.** Normal pre-delivery adjustments are not covered under warranty. Labor Warranties are based on reasonable time allowances as determined by Salsco, Inc. and paid at 75% of posted labor rate. **TRAVEL TIME IS NOT REIMBURSED UNDER THE WARRANTY POLICY.**
- h) Be sure to put the RA form inside the box that you are shipping back, also be sure to put on the outside of the box "Return of Goods" and the RA #.
- i) Ship returns via a traceable method such as UPS Ground Service. Be sure that the shipment is insured for the appropriate value. If uninsured parts are lost, we cannot issue a credit.

**PLEASE NOTE:**     *Warranty forms should be filled out completely.*

**PREVENTIVE MAINTENANCE IS YOUR BEST INSURANCE AGAINST EQUIPMENT FAILURE. BE SURE TO READ THIS MANUAL, ESPECIALLY THE MAINTENANCE, OPERATING AND CAUTION SECTIONS.**

SALSCO, INC., 105 School House Rd.  
Cheshire, CT 06410  
800-872-5726, 203-271-1682  
203-271-2596 (Fax)  
sales@salsco.com, [www.salsco.com](http://www.salsco.com)

REV. 09.17.2007

**WARRANTY CLAIM FORM**

SALSCO, INC.  
105 School House Rd.  
Cheshire, CT 06410

Phone:(203) 271-1682,(800) 872-5726  
Fax: (203) 271-2596  
Email: s.clark@salsco.com  
Website: www.salsco.com

<b>END OWNER</b>		<b>Date Submitted:</b>		<b>Work Order #:</b>	
Name:	Phone:			<b>Office Use Only</b>	
Email:	Fax:			Date Rec'd	
Address:				Cust ID:	
				Salsco WC	
				Salsco RA	
				Date Approved:	
<b>PURCHASED FROM</b>				Date Rejected:	
Name:	Phone:			Processed By:	
Email:	Fax:			Dir. Del Report on File: YES NO	
Address:				Warranty Card on File: YES NO	
				Part(s) Total:	
				Labor Total:	
<b>Equipment/Warranty Information (Must be complete)</b>				Total Approved:	
Purchase Date:	Invoice #	Date Failed:		Approved/Rejected:	
				Name:	
Model #:	Serial #:	Repair Date:		Reason for Rejection:	
Hrs Used:	Primary Use:				
Warranty Claim/Work Order#:					
Was a Salsco Return Authorization # issued for repairs or					
Return of Parts?	YES	NO	Suggested Preventative Maint:		
Probable Cause of Failure:					
Work Performed/Comments on Repair:					
Shop Labor Rate:				Submitted By:	
Total Labor Hours to Repair:				Printed Name:	
Parts Required for repair					
Salsco Part #:	Description:	Qty.	Price Each	Total	Inv #
				\$	
				\$	
				\$	
				\$	
<p align="center">Fill in all information requested on warranty claim form.  <b>INCOMPLETE FORMS CANNOT BE PROCESSED &amp; WILL BE RETURNED</b>                  List all parts used. Make sure part numbers are correct. Any parts that you believe to be defective or any parts that break should be retained for possible inspection until after the warranty has been paid or part has been replaced.</p>					

