

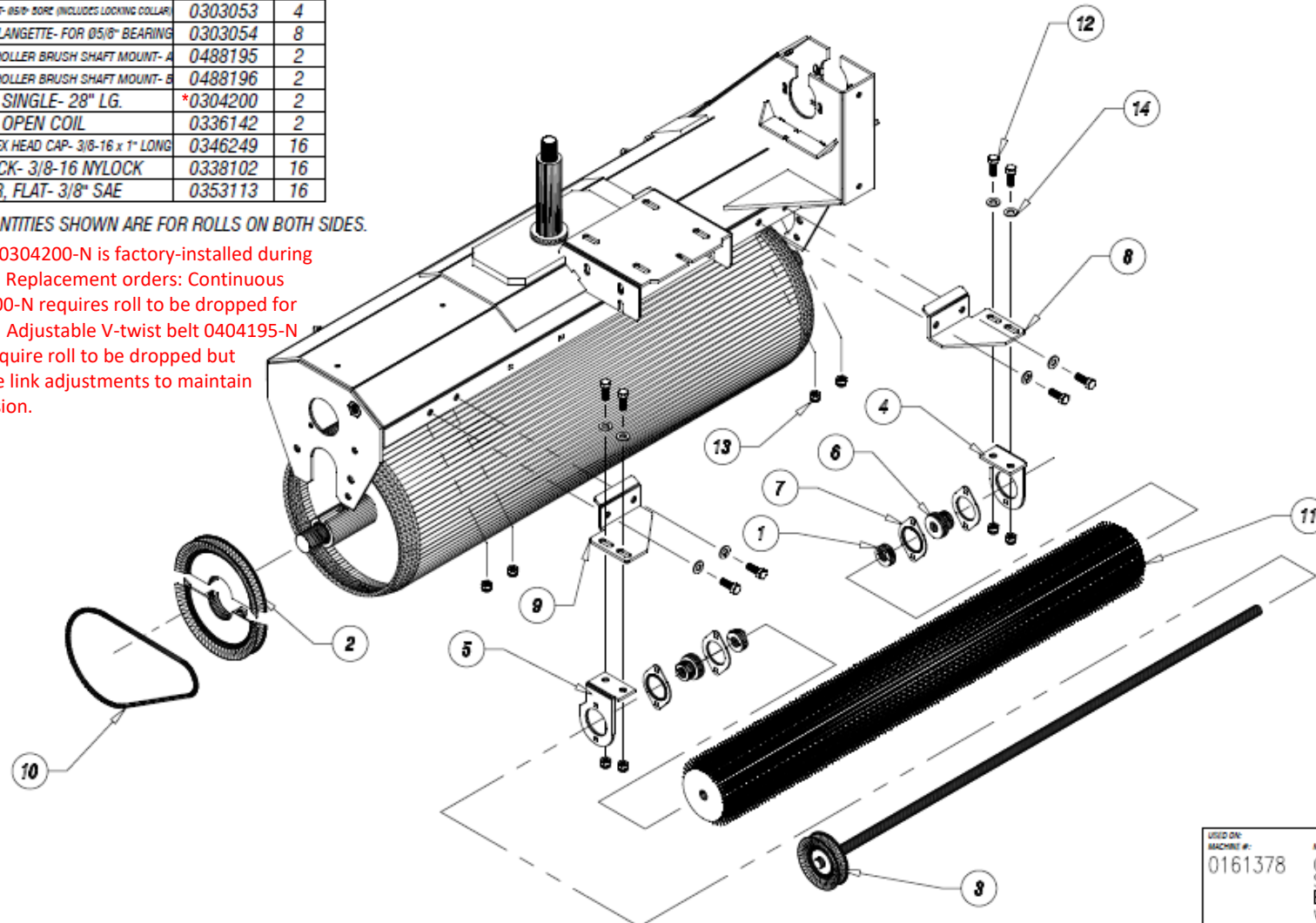
ITEM	DESCRIPTION	DWG NO	QTY
1	COLLAR, BRUSH CLAMPING	0211064	4
2	PULLEY, BRUSH DRIVE	0242268	2
3	SHAFT, ROLLER BRUSH	0248424	2
4	MOUNT, ROLLER BRUSH SHAFT DRIVE- A	0490329	2
5	MOUNT, ROLLER BRUSH SHAFT DRIVE- B	0490331	2
6	BEARING INSERT- Ø5/8" BORE (INCLUDES LOCKING COLLAR)	0303053	4
7	BEARING FLANGETTE- FOR Ø5/8" BEARING	0303054	8
8	BRACKET, ROLLER BRUSH SHAFT MOUNT- A	0488195	2
9	BRACKET, ROLLER BRUSH SHAFT MOUNT- B	0488196	2
10	V-BELT- SINGLE- 28" LG.	*0304200	2
11	BRUSH, OPEN COIL	0336142	2
12	SCREW, HEX HEAD CAP- 3/8-16 x 1" LONG	0346249	16
13	NUT, LOCK- 3/8-16 NYLOCK	0338102	16
14	WASHER, FLAT- 3/8" SAE	0353113	16

REVISIONS		
REV	DESCRIPTION	DATE
A	CHANGED MOUNTING BRACKETS TO USE FLANGETTE STYLE BEARINGS.	11/16/16 R.R.J.
B	PULLEYS CHANGED TO NOVA SPLIT STEEL TYPE.	3/4/20 R.R.J.

Correction Date 7-5-2022

*ITEMS & QUANTITIES SHOWN ARE FOR ROLLS ON BOTH SIDES.

* NOTE: Belt 0304200-N is factory-installed during production. Replacement orders: Continuous belt 0304200-N requires roll to be dropped for installation. Adjustable V-twist belt 0404195-N does not require roll to be dropped but may require link adjustments to maintain proper tension.

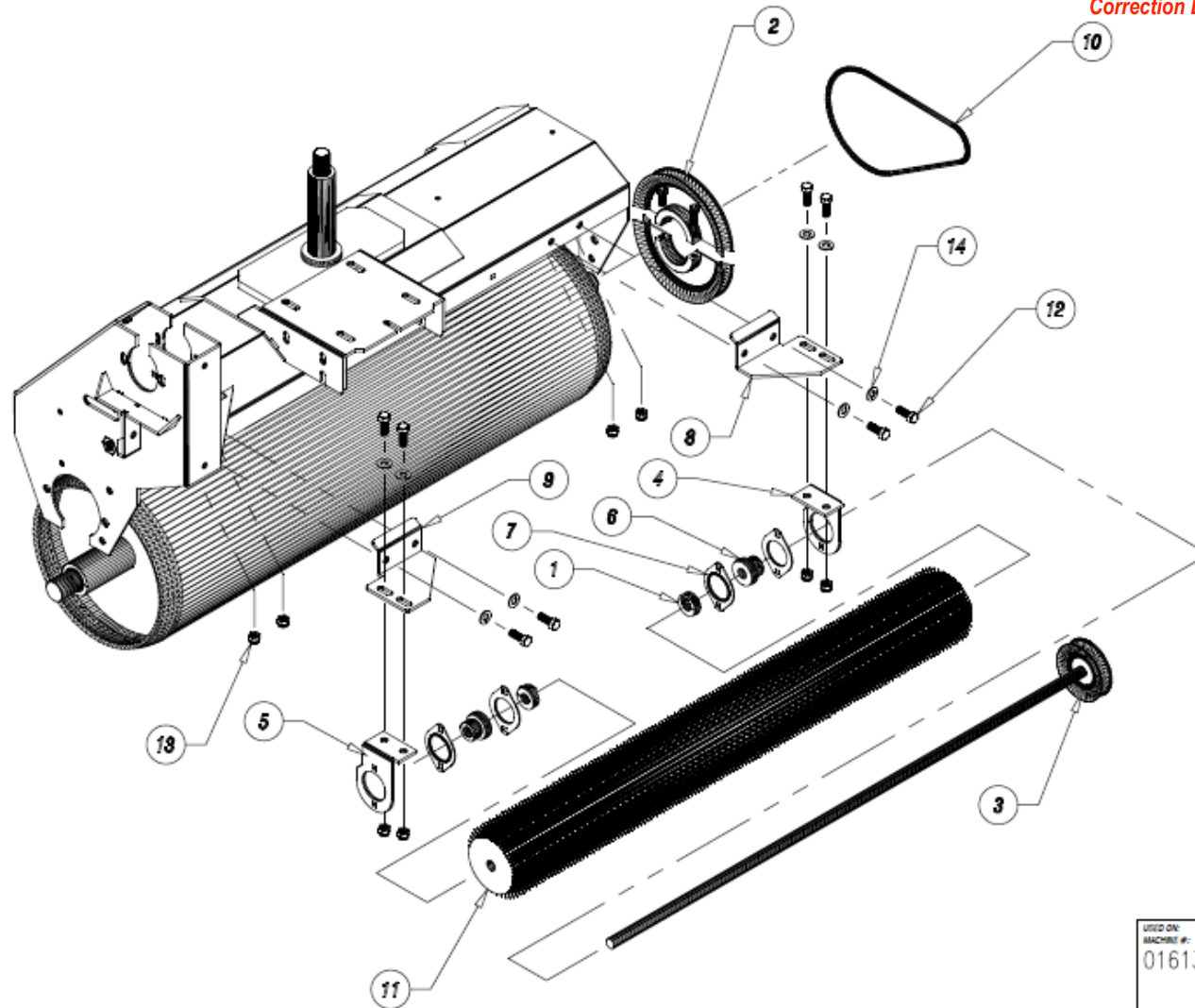


USED ON:
MACHINE #:
0161378
MODEL #:
OPTION, ROTARY BRUSH SYSTEM ON 0009074
ELECTRIC GREENROLLER w/Ø2" ROLLER SHAFT

PART OF WELDMENT#:	PART OF SUB-ASSY#:	DRAWN BY:	DATE:
---	---	SALSCO	3/20/14
MATERIAL SIZE		QPL:	PART #:
SEE ITEM DESCRIPTIONS		1	0161378
PART NAME			REV:
ROTARY BRUSH SYSTEM			B
SHEET 1 OF 2			

REVISIONS		
REV	DESCRIPTION	DATE
A	CHANGED MOUNTING BRACKETS TO USE FLANGETTE STYLE BEARINGS.	11/16/16 R.R.J.
B	PULLEYS CHANGED TO NOVA SPLIT STEEL TYPE.	3/4/20 R.R.J.

Correction Date 7-5-2022



USED ON:
MACHINE #:
0161378

MODEL #:
OPTION, ROTARY BRUSH
SYSTEM ON 0009074
ELECTRIC GREENROLLER
w/Ø2" ROLLER SHAFT

PART OF WELDMENT#: ---	PART OF SUB-ASSY#: ---	DRAWN BY: SALSCO	DATE: 3/20/14	PART NAME ROTARY BRUSH SYSTEM	
MATERIAL SIZE SEE ITEM DESCRIPTIONS				QTY: 1	REV #: 0161378 SHEET 2 OF 2 B