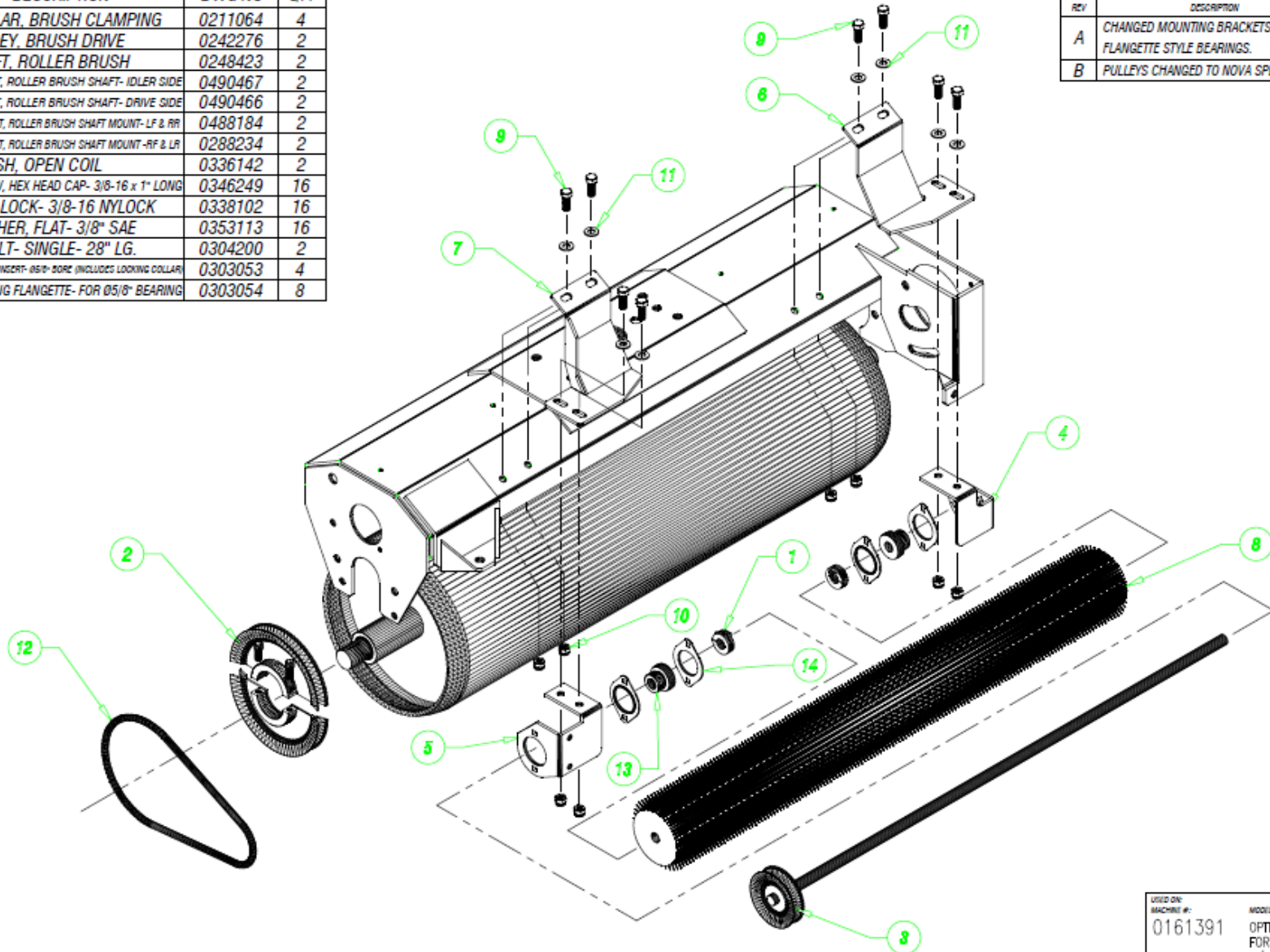


ITEM	DESCRIPTION	DWG NO	QTY
1	COLLAR, BRUSH CLAMPING	0211064	4
2	PULLEY, BRUSH DRIVE	0242276	2
3	SHAFT, ROLLER BRUSH	0248423	2
4	MOUNT, ROLLER BRUSH SHAFT- IDLER SIDE	0490467	2
5	MOUNT, ROLLER BRUSH SHAFT- DRIVE SIDE	0490466	2
6	BRACKET, ROLLER BRUSH SHAFT MOUNT- LF & RR	0488184	2
7	BRACKET, ROLLER BRUSH SHAFT MOUNT- RF & LR	0288234	2
8	BRUSH, OPEN COIL	0336142	2
9	SCREW, HEX HEAD CAP- 3/8-16 x 1" LONG	0346249	16
10	NUT, LOCK- 3/8-16 NYLOCK	0338102	16
11	WASHER, FLAT- 3/8" SAE	0353113	16
12	V-BELT- SINGLE- 28" LG.	0304200	2
13	BEARING INSERT- Ø5/16" BORE (INCLUDES LOCKING COLLAR)	0303053	4
14	BEARING FLANGETTE- FOR Ø5/16" BEARING	0303054	8



REVISIONS		
REV	DESCRIPTION	DATE
A	CHANGED MOUNTING BRACKETS TO USE FLANGETTE STYLE BEARINGS.	11/17/16 R.R.J.
B	PULLEYS CHANGED TO NOVA SPLIT STEEL TYPE.	3/4/20 R.R.J.

USED BY: WIKING #:	MODEL #:
0161391	OPTION, ROTARY BRUSH SYSTEM FOR 0009064 GAS GREENROLLER w/ Ø2" ROLLER SHAFT

PART OF WELDMENT#:	PART OF SUB-ASSY#:	DRAWN BY:	DATE:	
---	---	SALSCO	6/18/15	
MATERIAL SIZE				PART NAME
SEE ITEM DESCRIPTIONS				ROTARY BRUSH SYSTEM
QPA:				PART #:
2				0161391
				REV.:
				B