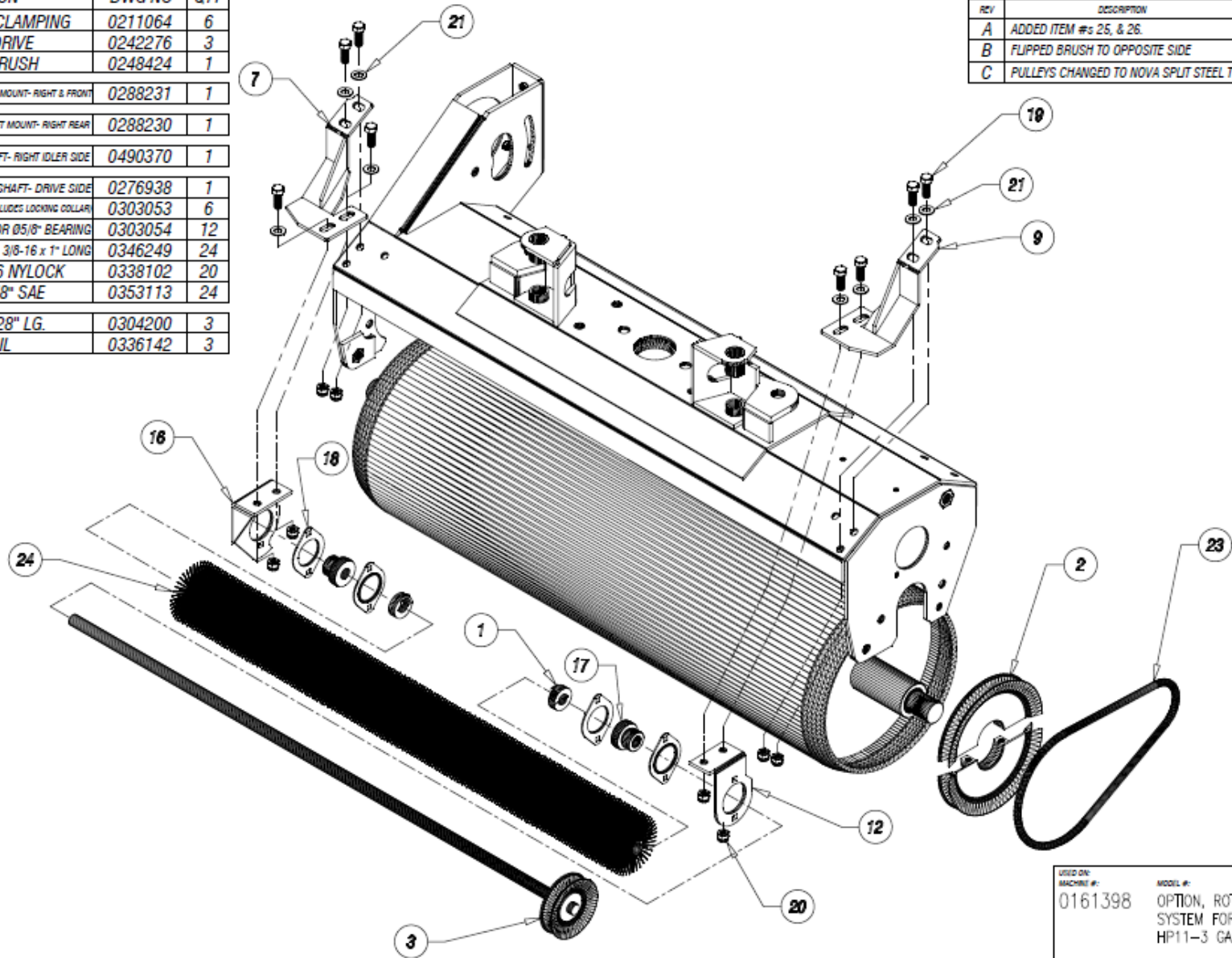


ITEM	DESCRIPTION	DWG NO	QTY
1	COLLAR, BRUSH CLAMPING	0211064	6
2	PULLEY, BRUSH DRIVE	0242276	3
3	SHAFT, ROLLER BRUSH	0248424	1
7	BRACKET, ROLLER BRUSH SHAFT MOUNT- RIGHT & FRONT	0288231	1
9	BRACKET, ROLLER BRUSH SHAFT MOUNT- RIGHT REAR	0288230	1
12	MOUNT, ROLLER BRUSH SHAFT- RIGHT IDLER SIDE	0490370	1
16	MOUNT, ROLLER BRUSH SHAFT- DRIVE SIDE	0276938	1
17	BEARING INSERT- 05/8" BORE (INCLUDES LOCKING COLLAR)	0303053	6
18	BEARING FLANGETTE- FOR 05/8" BEARING	0303054	12
19	SCREW, HEX HEAD CAP- 3/8-16 x 1" LONG	0346249	24
20	NUT, LOCK- 3/8-16 NYLOCK	0338102	20
21	WASHER, FLAT- 3/8" SAE	0353113	24
23	V-BELT- SINGLE- 28" LG.	0304200	3
24	BRUSH, OPEN COIL	0336142	3

REVISIONS		
REV	DESCRIPTION	DATE
A	ADDED ITEM #s 25, & 26.	10/11/18 R.R.J.
B	FLIPPED BRUSH TO OPPOSITE SIDE	05/23/19 D.M.N.
C	PULLEYS CHANGED TO NOVA SPLIT STEEL TYPE.	3/4/20 R.R.J.

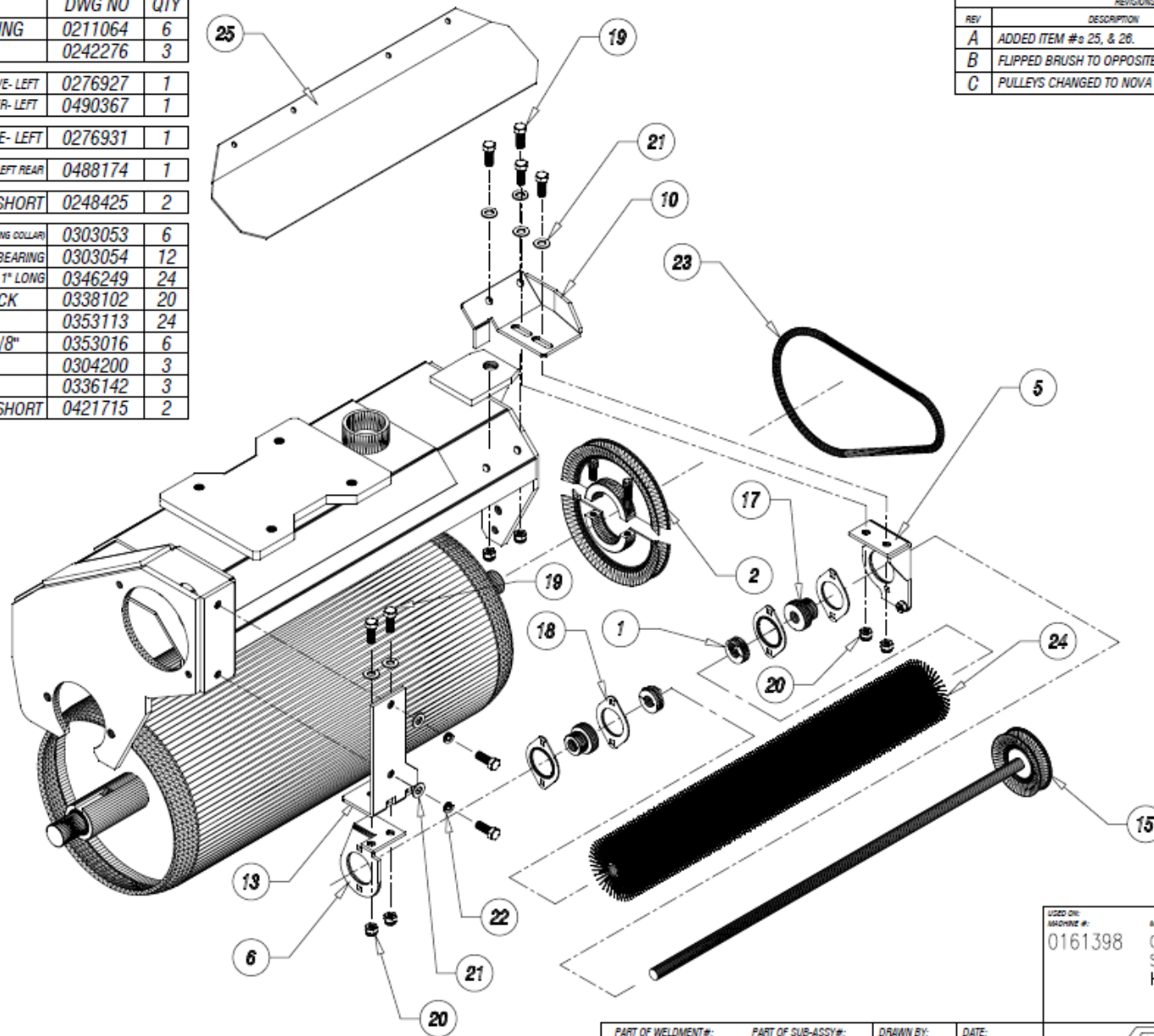


NOTES:
-LEFT ROLL

PART OF WELDMENT#:	PART OF SUB-ASSY#:	DRAWN BY:	DATE:	USED ON: MACHINE #:	MODEL #:
---	---	SALSCO	11/21/16	0161398	OPTION, ROTARY BRUSH SYSTEM FOR 0009107 HP11-3 GAS GREENROLLER
MATERIAL SIZE				PART NAME	
SEE ITEM DESCRIPTIONS				ROTARY BRUSH SYSTEM	
QTY:				PART #:	REV.:
1				0161398	SHEET 1 OF 3 C

ITEM	DESCRIPTION	DWG NO	QTY
1	COLLAR, BRUSH CLAMPING	0211064	6
2	PULLEY, BRUSH DRIVE	0242276	3
5	MOUNT, ROLLER BRUSH SHAFT DRIVE- LEFT	0276927	1
6	MOUNT, ROLLER BRUSH SHAFT IDLER- LEFT	0490367	1
10	MOUNT, ROLLER BRUSH DRIVE- LEFT	0276931	1
13	BRACKET, ROLL BRUSH SHAFT IDLER- LEFT REAR	0488174	1
15	SHAFT, ROLLER BRUSH- SHORT	0248425	2
17	BEARING INSERT- 05/8" BORE (INCLUDES LOCKING COLLAR)	0303053	6
18	BEARING FLANGETTE- FOR 05/8" BEARING	0303054	12
19	SCREW, HEX HEAD CAP- 3/8-16 x 1" LONG	0346249	24
20	NUT, LOCK- 3/8-16 NYLOCK	0338102	20
21	WASHER, FLAT- 3/8" SAE	0353113	24
22	WASHER, SPLIT LOCK- 3/8"	0353016	6
23	V-BELT- SINGLE- 28" LG.	0304200	3
24	BRUSH, OPEN COIL	0336142	3
25	GUARD, ROLLER BRUSH- SHORT	0421715	2

REVISIONS		
REV	DESCRIPTION	DATE
A	ADDED ITEM #s 25, & 26.	10/11/16 R.R.J.
B	FLIPPED BRUSH TO OPPOSITE SIDE ON SHEET 1	05/23/19 D.M.N.
C	PULLEYS CHANGED TO NOVA SPLIT STEEL TYPE.	3/4/20 R.R.J.



NOTES:

-RIGHT REAR ROLL

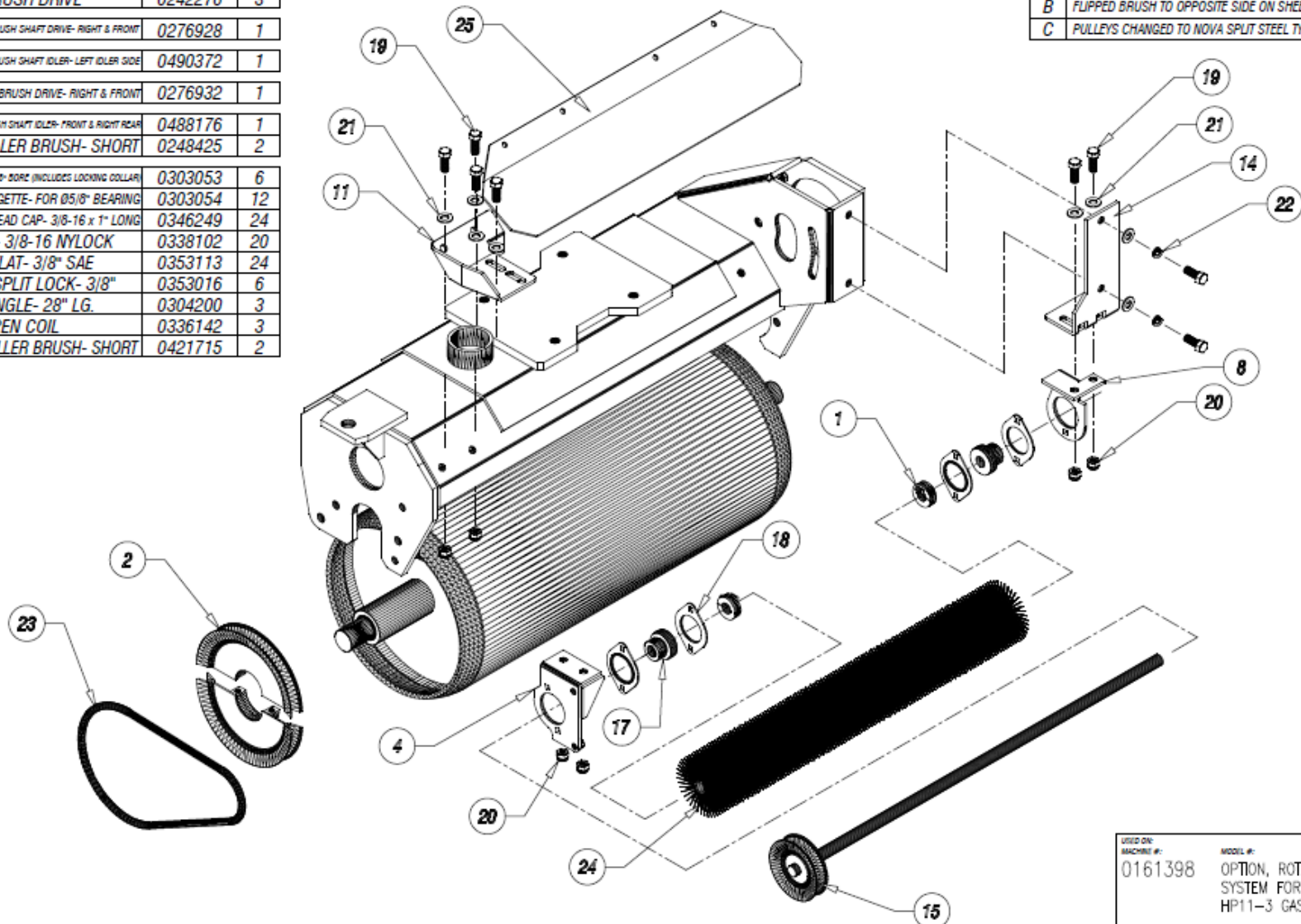
USED ON:
MACHINE #:
0161398
MODEL #:
OPTION, ROTARY BRUSH
SYSTEM FOR 0009107
HP11-3 GAS GREENROLLER

PART OF WELDMENT#: --	PART OF SUB-ASSY#: --	DRAWN BY: SALSCO	DATE: 11/21/16	PART NAME ROTARY BRUSH SYSTEM	
MATERIAL SIZE SEE ITEM DESCRIPTIONS				QTY: 1	REV: C

SALSCO
PART #:
0161398
SHEET 2 OF 3

ITEM	DESCRIPTION	DWG NO	QTY
1	COLLAR, BRUSH CLAMPING	0211064	6
2	PULLEY, BRUSH DRIVE	0242276	3
4	MOUNT, ROLLER BRUSH SHAFT DRIVE- RIGHT & FRONT	0276928	1
8	MOUNT, ROLLER BRUSH SHAFT IDLER- LEFT IDLER SIDE	0490372	1
11	MOUNT, ROLLER BRUSH DRIVE- RIGHT & FRONT	0276932	1
14	BRACKET, ROLL BRUSH SHAFT IDLER- FRONT & RIGHT REAR	0488176	1
15	SHAFT, ROLLER BRUSH- SHORT	0248425	2
17	BEARING INCRFT- 05/8" BORE (INCLUDES LOCKING COLLAR)	0303053	6
18	BEARING FLANGETTE- FOR 05/8" BEARING	0303054	12
19	SCREW, HEX HEAD CAP- 3/8-16 x 1" LONG	0346249	24
20	NUT, LOCK- 3/8-16 NYLOCK	0338102	20
21	WASHER, FLAT- 3/8" SAE	0353113	24
22	WASHER, SPLIT LOCK- 3/8"	0353016	6
23	V-BELT- SINGLE- 28" LG.	0304200	3
24	BRUSH, OPEN COIL	0336142	3
25	GUARD, ROLLER BRUSH- SHORT	0421715	2

REVISIONS		
REV	DESCRIPTION	DATE
A	ADDED ITEM #s 25, & 26.	10/11/18 R.R.J.
B	FLIPPED BRUSH TO OPPOSITE SIDE ON SHEET 1	05/23/19 D.M.N.
C	PULLEYS CHANGED TO NOVA SPLIT STEEL TYPE	3/4/20 R.R.J.



USED ON:
MACHINE #:
0161398

MODEL #:
OPTION, ROTARY BRUSH
SYSTEM FOR 0009107
HP11-3 GAS GREENROLLER

PART OF WELDMENT#:	PART OF SUB-ASSY#:	DRAWN BY:	DATE:
--	--	SALSCO	11/21/16
MATERIAL SIZE		QPL:	REV:
SEE ITEM DESCRIPTIONS		1	C
PART NAME			SHEET 3 OF 3
ROTARY BRUSH SYSTEM			0161398

NOTES:

-RIGHT FRONT ROLL