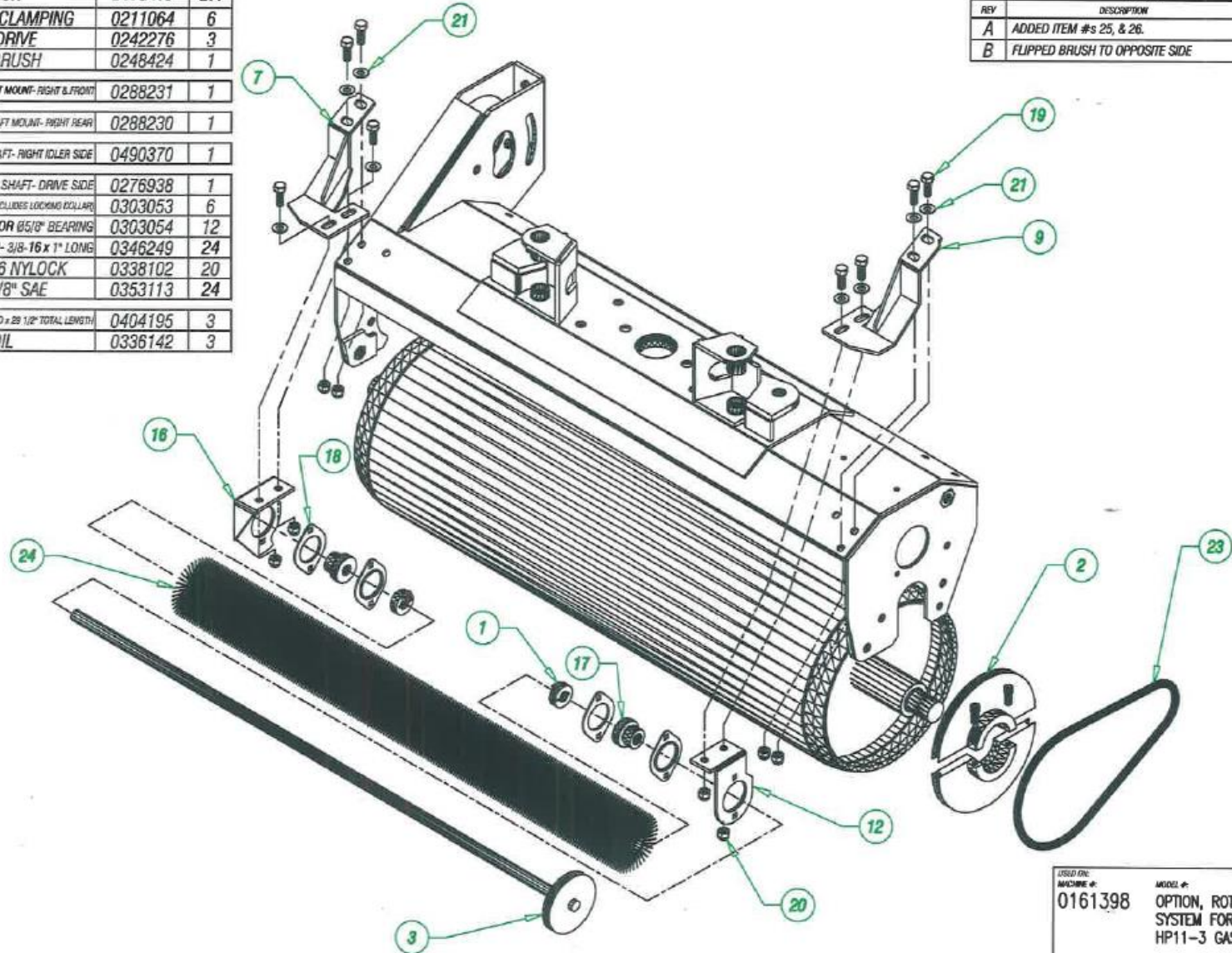


ITEM	DESCRIPTION	DWG NO	QTY
1	COLLAR, BRUSH CLAMPING	0211064	6
2	PULLEY, BRUSH DRIVE	0242276	3
3	SHAFT, ROLLER BRUSH	0248424	1
7	BRACKET, ROLLER BRUSH SHAFT MOUNT- RIGHT & FRONT	0288231	1
9	BRACKET, ROLLER BRUSH SHAFT MOUNT- RIGHT REAR	0288230	1
12	MOUNT, ROLLER BRUSH SHAFT- RIGHT IDLER SIDE	0490370	1
16	MOUNT, ROLLER BRUSH SHAFT- DRIVE SIDE	0276938	1
17	BEARING INSERT- Ø5/8" BORE (INCLUDES LOCKING COLLAR)	0303053	6
18	BEARING FLANGETTE- FOR Ø5/8" BEARING	0303054	12
19	SCREW, HEX HEAD CAP- 3/8-16 x 1" LONG	0346249	24
20	NUT, LOCK- 3/8-16 NYLOCK	0338102	20
21	WASHER, FLAT- 3/8" SAE	0353113	24
23	BEELT, DRIVE- TANGO Ø5/8" ROUND x 29 1/2" TOTAL LENGTH	0404195	3
24	BRUSH, OPEN COIL	0336142	3

REVISIONS		
REV	DESCRIPTION	DATE
A	ADDED ITEM #s 25, & 26.	10/11/18 R.R.J.
B	FLIPPED BRUSH TO OPPOSITE SIDE	05/23/19 D.M.M.



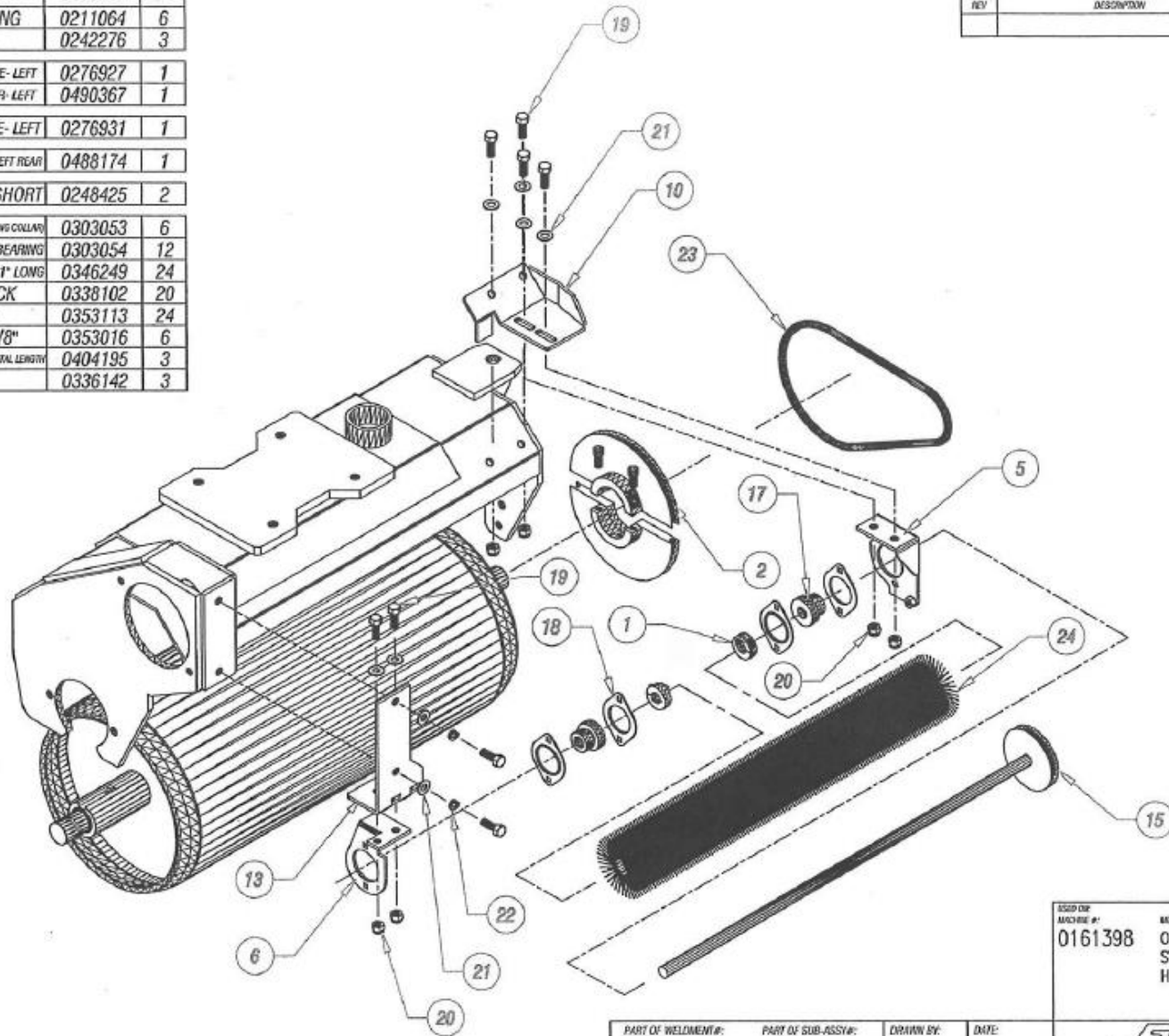
USED ON:
 MACHINE #:
 0161398
 MODEL #:
 OPTION, ROTARY BRUSH
 SYSTEM FOR 0009107
 HP11-3 GAS GREENROLLER

NOTES:
 -LEFT ROLL

PART OF WELDMENT#:	PART OF SUB-ASSY#:	DRAWN BY:	DATE:	SALSCO
---	---	SALSCO	11/21/16	
MATERIAL SIZE				QTY:
SEE ITEM DESCRIPTIONS				1
PART NAME				REV:
ROTARY BRUSH SYSTEM				B
PART #:				SHEET 1 OF 3
0161398				

ITEM	DESCRIPTION	DWG NO	QTY
1	COLLAR, BRUSH CLAMPING	0211064	6
2	PULLEY, BRUSH DRIVE	0242276	3
5	MOUNT, ROLLER BRUSH SHAFT DRIVE- LEFT	0276927	1
6	MOUNT, ROLLER BRUSH SHAFT IDLER- LEFT	0490367	1
10	MOUNT, ROLLER BRUSH DRIVE- LEFT	0276931	1
13	BRACKET, ROLL BRUSH SHAFT IDLER- LEFT REAR	0488174	1
15	SHAFT, ROLLER BRUSH- SHORT	0248425	2
17	BEARING INSERT- Ø5/8" BORE (INCLUDES LOCKING COLLAR)	0303053	6
18	BEARING FLANGETTE- FOR Ø5/8" BEARING	0303054	12
19	SCREW, HEX HEAD CAP- 3/8-16 x 1" LONG	0346249	24
20	NUT, LOCK- 3/8-16 NYLOCK	0338102	20
21	WASHER, FLAT- 3/8" SAE	0353113	24
22	WASHER, SPLIT LOCK- 3/8"	0353016	6
23	BELT, DRIVE- 14VXD Ø2 1/8" ROUND x 29 1/2" TOTAL LENGTH	0404195	3
24	BRUSH, OPEN COIL	0336142	3

REVISIONS		
REV	DESCRIPTION	DATE

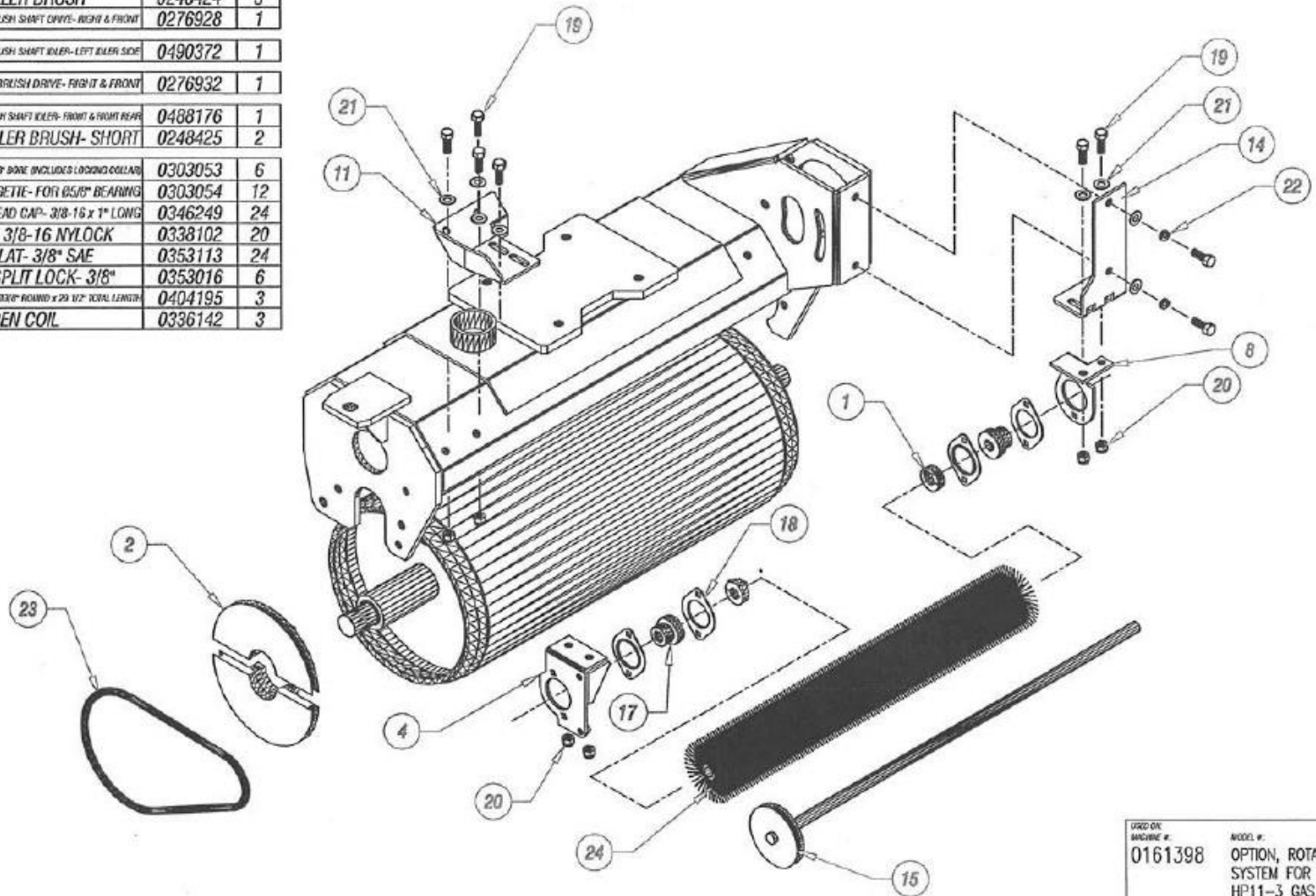


NOTES:
-RIGHT REAR ROLL

000 DIE MACHINE # 0161398	MODEL # OPTION, ROTARY BRUSH SYSTEM FOR 0009107 HP11-3 GAS GREENROLLER
PART NAME ROTARY BRUSH SYSTEM	
PART # 0161398	
SHEET 2 OF 3	

PART OF WELDMENT#:	PART OF SUB-ASSY#:	DRAWN BY:	DATE:
---	---	SALSCO	11/21/16
MATERIAL SIZE		QTY:	REV:
SEE ITEM DESCRIPTIONS		1	

ITEM	DESCRIPTION	DWG NO	QTY
1	COLLAR, BRUSH CLAMPING	0211064	6
2	PULLEY, BRUSH DRIVE	0242276	3
3	SHAFT, ROLLER BRUSH	0248424	3
4	MOUNT, ROLLER BRUSH SHAFT DRIVE- RIGHT & FRONT	0276928	1
8	MOUNT, ROLLER BRUSH SHAFT INNER- LEFT INNER SIDE	0490372	1
11	MOUNT, ROLLER BRUSH DRIVE- RIGHT & FRONT	0276932	1
14	BRACKET, ROLL BRUSH SHAFT KLEER- FRONT & FRONT REAR	0488176	1
15	SHAFT, ROLLER BRUSH- SHORT	0248425	2
17	BEARING INSERT- 60SP BORE (INCLUDES LOADING COLLAR)	0303053	6
18	BEARING FLANGETTE- FOR 65/8" BEARING	0303054	12
19	SCREW, HEX HEAD CAP- 3/8-16 x 1" LONG	0346249	24
20	NUT, LOCK- 3/8-16 NYLOCK	0338102	20
21	WASHER, FLAT- 3/8" SAE	0353113	24
22	WASHER, SPLIT LOCK- 3/8"	0353016	6
23	BELT, DRIVE- LARGE 60X10" BOWDIE x 29 1/2" TOTAL LENGTH	0404195	3
24	BRUSH, OPEN COIL	0336142	3



NOTES:
 --RIGHT FRONT ROLL

REVISIONS		
REV	DESCRIPTION	DATE

USED ON MACHINE #:	MODEL #:
0161398	OPTION, ROTARY BRUSH SYSTEM FOR 0009107 HP11-3 GAS GREENROLLER
Salsco, Inc.	
PART NAME: ROTARY BRUSH SYSTEM	
PART #:	
0161398 SHEET 3 OF 3	

PART OF WELDMENT#:	PART OF SUB-ASSY#:	DRAWN BY:	DATE:
---	---	SALSCO	11/21/16
MATERIAL SIZE:		QTY:	REV#:
SEE ITEM DESCRIPTIONS		1	