

Salsco, INC.
LEADER BY DESIGN

MADE IN THE U.S.A

**OPERATORS AND PARTS MANUAL
TAILGATE MOUNTED LEAF VACUUMS
&
SWING AWAY BUMPER MOUNT**



MANUFACTURER OF OUTDOOR POWER EQUIPMENT

Products for Turf & Lawn care, Rental Construction, Tree Care, Wood Processing, Nursery & Farm Industries

Other Salsco Equipment:

3-1/2" - 18", Gas, Diesel, and P.T.O. Wood/Brush Chippers

Chipper Shredder Vacuum - Tailgate & Truckloader Vacuums, Strawblowers, Slicer Seeders

Shaving Mills - Gas & Electric Greens Rollers

***Quality of Workmanship, Innovative
Design, Built to Last!***

105 School House Road
Cheshire, CT 06410 U.S.A.
800-872-5726, 203-271-1682, 203-271-2596 (Fax)
sales@salsco.com, www.salsco.com

TABLE OF CONTENTS
TAILGATE MOUNT LEAF VACUUMS

COVER & TABLE OF CONTENTS.....Pages 1 – 2

STATEMENT OF FACT Page 3

SPECIFICATIONS & FEATURESPage 4

MACHINE REGISTRATIONPage 5

SAFETY & OPERATING INSTRUCTIONSPages 6-7

SERVICE & MAINTENANCE INSTRUCTIONSPage 7

PARTS DIAGRAMSPages 8-10

TORQUE CHARTSPage 11

WARRANTY POLICY/PROCEDUREPage 12

COPY OF WARRANTY CLAIM FORM.....Page 13

SERVICE SCHEDULE LOGPage 14

SALSCO, INC.
105 School House Road
Cheshire, CT 06410
800-872-5726, 203-271-1682
203-271-2596 (Fax)
www.salsco.com, sales@salsco.com

STATEMENT OF FACT

You have just purchased the highest quality, most dependable, Tailgate Mount Leaf Vacuum, on the market today. This unit has the ability to meet exact standards and perform for years with minimum downtime. HOWEVER, it cannot read nor will it understand this manual no matter how long you leave it on top of the machine.

It is your responsibility to read and understand this manual; it is also your responsibility to be certain this information is passed along to anyone who is expected to operate this equipment. Should you choose not to read, understand and pass along the information provided you, please expect equipment failure and possible injuries to persons around this equipment.

For the safety of the operator, it is **imperative** that this manual is carefully read and understood.

Once you have read this manual, it is your responsibility to be sure that all new operators read and understand this manual, especially all cautions stated.

As a manufacturer of equipment, we have a responsibility to design a safe piece of equipment. NOTE: The important safeguards and instructions in this manual are not meant to cover all possible conditions and situations that may occur. It must be understood that common sense, caution, and care are factors, which cannot be built into any product. These factors must be supplied by the person(s) caring for and operating this equipment.

ONLY YOU CAN PREVENT ACCIDENTS!!

SPECIFICATIONS & FEATURES **TAILGATE MOUNT LEAF VACUUMS**

All units have lever clamp tailgate mounts and easily attach to the tailgate of any truck without tools or vehicle modifications. Another advantage of this type of mount is that with the latch and lock mechanisms on the outer side of the tailgate, the unit can be easily removed, even from a loaded truck.

All units use heavy-duty, re-enforced vacuum hoses, and come standard with a steel vacuum hose handle. Built tough to withstand the hard work these units must perform! The swivel boom hose assembly, means less fatigue for the operator and convenience in transport.

The discharge swivels a full 360 degrees, which means you can vacuum out your collection box if necessary. Discharge direction is easily adjusted so that debris can be directed where desired.

Salsco offers many different options, as listed below, for ease and convenience of operation, transport and performance.

Swing Away Bumper Mount – No need to remove the unit when dumping your collection box. Simply un-pin the latch and “swing away” your tailgate vacuum to dump debris. Landscape trailers or other towing units can be towed behind the Swing Away Bumper Mount.

Snow Plow Mounting – Optional mounting for either Minute Mount or Speed Cast provides the operator with other attachment options.

24” Exhaust Extension – We’ll even make to order the size extension you need to reach the inlet hose on your collection box. Most customers need the 24” Standard Extension.

Square to Round Reducer Connection – Another option, just to make your application easier, by being able to add an exhaust hose to the exhaust.

45-Degree Swivel Reducer – Provides extra height and 45-degree angle to discharge at a higher level.

Hose Connectors, 10” or 8” can be provided if the customer wants to extend the length of the vacuum hose.

No matter which Model you’ve chosen to purchase, you can be assured you will have many years of reliable service. No other Leaf Vacuum on the market today is built stronger and designed with you the operator in mind.

MACHINE REGISTRATION

MANUFACTURED BY: SALSCO, INC.
105 School House Rd., Cheshire, CT 06410
800-872-5726, 203-271-1682, 203-271-2596 (Fax)
sales@salsco.com www.salsco.com

THIS MANUAL COVERS MODEL (S): TAILGATE MOUNT LEAF VACUUM;

This company reserves the right to discontinue, add improvements to, or change the design of any model or product at any time without obligation to improve existing machines, either by changing the design or adding new parts.

It has been and will continue to be the policy of SALSCO to update existing machines at its own discretion. Whenever possible, new designs will be made in such a way that they can be "Retro Fit" if so desired.

Record in the space provided below the model and serial number of this unit. Please retain these numbers for future reference.

No parts orders will be accepted **WITHOUT MODEL NUMBERS OR PART NUMBERS**. All part numbers are listed in this manual.

Serial Number

Model Number

NOTE: Be sure to complete your warranty card. This will insure immediate processing of any warranty claims.

READ AND UNDERSTAND THIS MANUAL BEFORE STARTING THE MACHINE

1/06

SAFETY INSTRUCTIONS

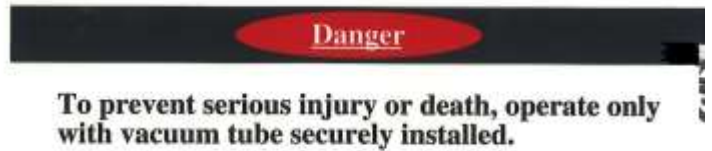
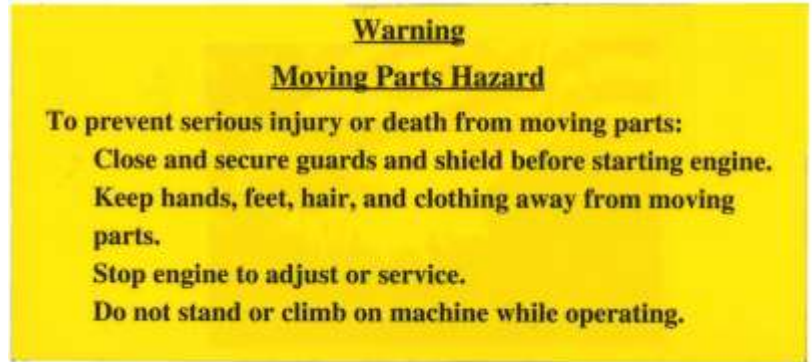
BEFORE YOU START THIS MACHINE:

1. **READ** and **UNDERSTAND** this owner's manual.
2. **DO NOT** run machine without guards and other safety covers in place.
3. **DO NOT** run machine with discharge hose removed. (A safety inlet cover can be purchased to cover inlet while hose is removed.)
4. **NEVER** leave machine running while unattended.
5. **NEVER** reach under or into machine for any reason while machine is running as it can cause serious injury.
6. **ALWAYS** remove spark plug wire, **MAKE SURE** engine is off, throttle is in stop position, and shut gas off when working on or checking inside machine.
7. **NEVER** clean inlet tube or outlet tubes while engine is running.
8. **EYE PROTECTION** should **ALWAYS BE WORN** when running machine.
9. **BE SURE** air intake on engine is clear of leaves and debris.
10. **DO NOT** refuel while engine is hot.
11. Clear area of all debris around unit before refueling.
12. **DO NOT** remove caution decals.
13. Safety decals should be replaced immediately after repainting or when they become illegible. Safety is a prime concern at Salsco and the safety decals on your machine are a highly visible and constant reminder to all operators. Replacement safety decals may be obtained from your local dealer or by calling Salsco at (203) 271-1682 or 1-800-872-5726.

OPERATING INSTRUCTIONS

1. **READ MANUAL THOROUGHLY!**
2. **BE SURE** intake hose is connected to blower housing. **NEVER RUN UNIT WITH INTAKE HOSE DISCONNECTED.**
3. Adjust clamping mechanism to fit your tailgate.
4. Before starting motor, **make sure everyone is clear of machine** and **discharge chute is pointing in the correct position**. Start the motor, and let it idle until engine warms up (see engine manual provided)
5. Bring up to full R.P.M. slowly, **checking for vibration.**
6. Pass inlet tube over material to be picked up.

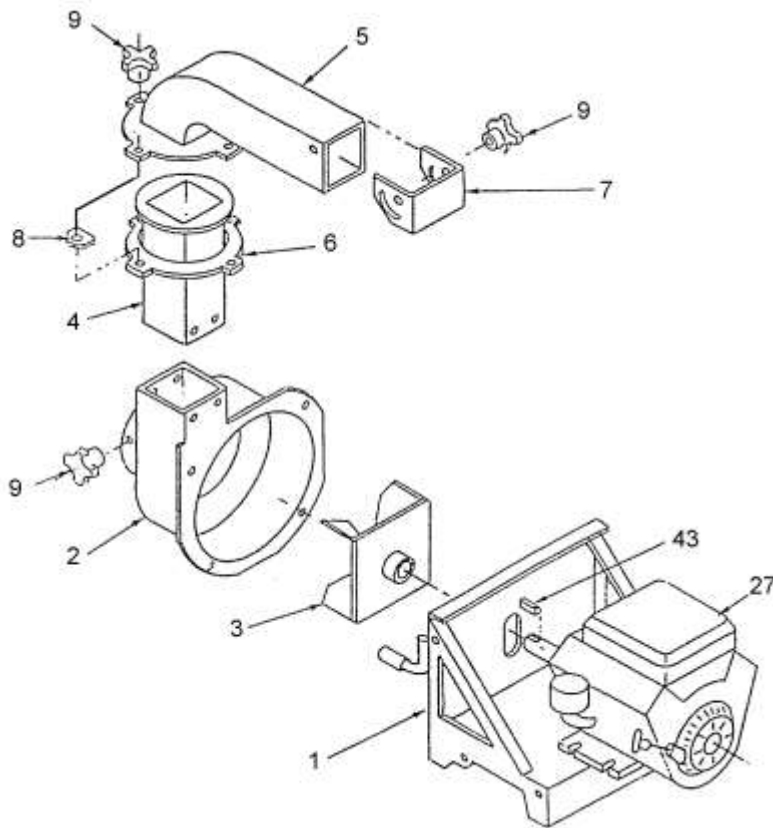
SAFETY DECALS



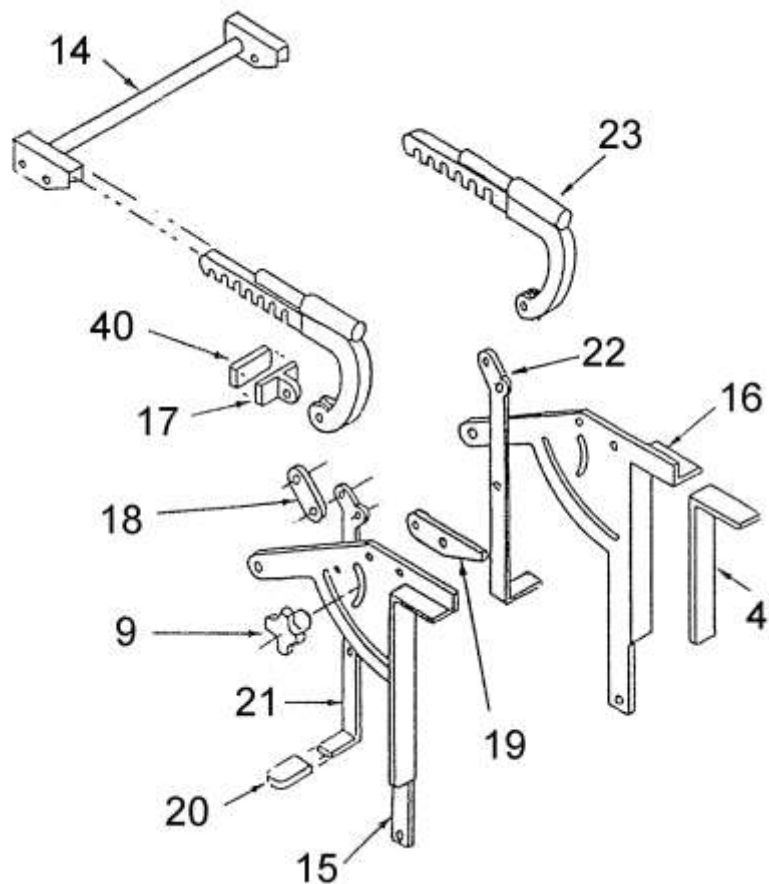
ADJUSTING CLAMP TO FIT TAILGATE

1. Remove two bolts on each arm.
2. Adjust for approximate length on both sides to fit tailgate.
3. Reinsert two bolts on each arm.
4. Press each clamp lever into lowest position.
5. Lock each lever by tightening the knob.
6. Lower the safety lock on each side.
7. Tighten knob to secure lock in place.

SERVICE & MAINTENANCE SCHEDULE	
Check Engine Oil (See Engine Manual)	Daily
Check for Vibration	Daily
Check for Torn or Damaged Hose	Daily
Visually Check for Loose Bolts or Damage	Daily
Clean Machine	Daily
Check Battery for Water & Electrical Connections	Weekly

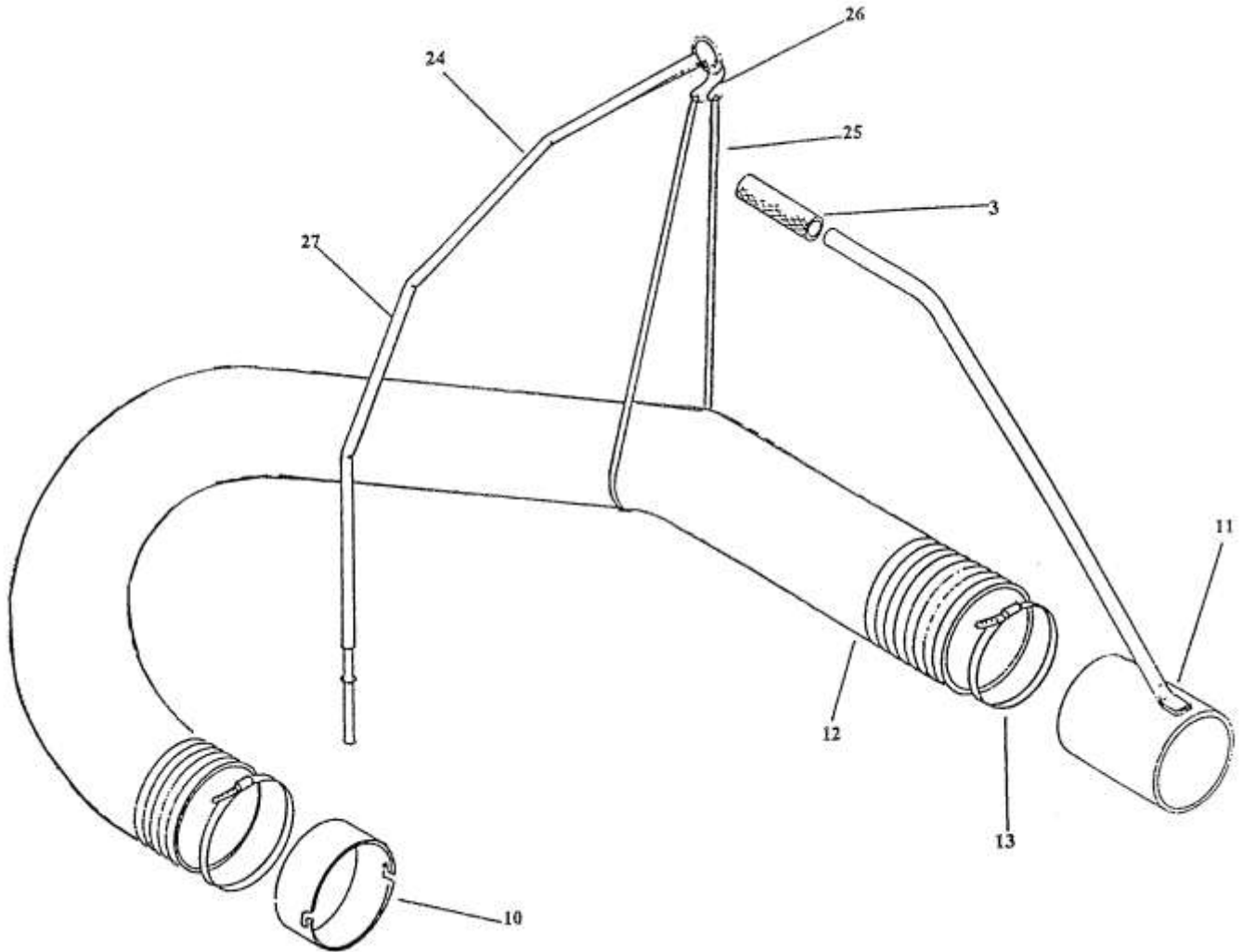


MAIN FRAME ASSEMBLY			
Item#	Description	Part #	Qty
1	Frame, Main (708)	M501	1
	Frame, Main (713)	0219066	1
	Frame, Main (716)	0219132	1
2	Hsg., Blower (708)	W500	1
	Hsg., Blower (713,716)	0228153	1
3	Impeller (708)	L205	1
	Impeller (713)	0205036	1
	Impeller (716)	0205058	1
4	Tube, Straight Exhaust	T223	1
5	Tube, 90° Exhaust	S223	1
6	Plate, Tube Mounting	D239	1
7	Cover, Exhaust Tube	Y223	1
8	Spacer, Tube	N135	3
9	Knob, Fluted	0332004	3
27	Engine, 8HP Honda	0337021	1
	Engine, 13HP Honda	0337023	1
	Engine 16HP B & S	0337102	1
43	Key, Square	0431131	1



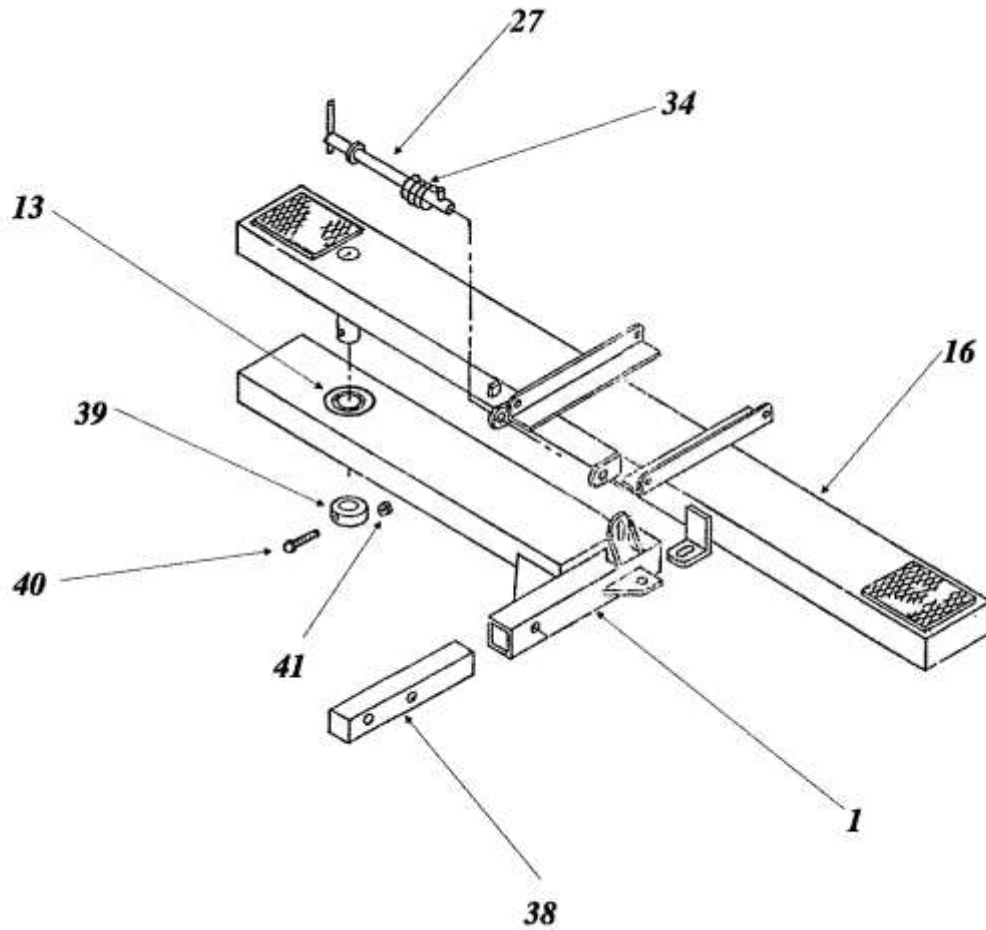
CLAMP ASSEMBLY			
Item #	Description	Part #	Qty.
9	Knob, Fluted	0332004	4
14	Yoke, Tailgate Clamp	0274016	1
15	Bracket, Right Tailgate	N231	1
16	Bracket, Left	O231	1
17	Pad, Clamp	I224	2
18	Link, Clamp	Q231	2
19	Link, Safety Lock	R231	2
20	Grip, Lever-Black	N104	2
21	Lever, Clamp-Right	0433073	1
22	Lever, Clamp-Left	0433074	1
23	Tailgate Clamp Assy.	0210046	2
40	Clamp Pad (Rubber)	0410082	2
41	Rubber Strip	P104	1

VACUUM HOSE ASSEMBLY



VACUUM HOSE ASSEMBLY			
Item #	Description	Part #	Qty.
3	Grip	0332009	1
10	Tube, Inlet Hose Connecting (708)	F223	1
	Tube, Inlet Hose Connecting (713, 716)	0467043	1
11	Collar, Hose & Handle (708)	E103	1
	Collar, Hose & Handle (713, 716)	0211025	1
12	Hose, Flex Intake 8" (708)	0327052	1
	Hose, Flex Intake 10" (713, 716)	0327054	1
13	Clamp, Hose (713, 716)	0310071	2
	Clamp Hose (708)	B224	2
24	Bar, Upper Hanger	W215	1
25	Bungie, Hanger Cord	L219	1
26	Hook, Bungie	M219	2
27	Bar, Lower Hanger	X215	1

SWING AWAY BUMPER MOUNT



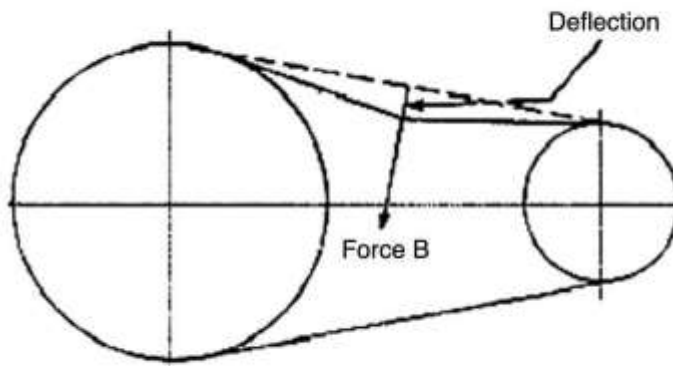
SWING AWAY BUMPER MOUNT OPTION			
Item #	Description	Part #	Qty.
1	Hitch Swing Mount, Lower	0225059	1
13	Bushing, Bronze	0307022	1
16	Hitch, Swing Mount, Upper	0225060	1
27	Rod, Swing Lock	0145096	1
34	Spring, Compression.	0350031	1
38	Bar, Swing Hitch Mount	0470099	1
39	Spacer, Pivot Pin	0449101	1
40	Bolt, Hex HD. 3/8-16 x 2-3/4	0346210	1
41	Nut, Hex Lock (3/8-16-Nylon)	0338102	1

Below is a quick reference chart for various “Flat Head Cap Screws” and the torque recommendations.

VALUES ARE STATED IN FOOT POUNDS

BOLT SIZE	Thds Per Inch	SAE Grade 5	SAE Grade 8
1/4	20	10	14
	28	---	---
5/16	18	19	29
	24	---	---
3/8	16	33	47
	24	---	---
7/16	14	54	78
	20	---	---
1/2	13	78	119
	20	---	---
9/16	12	114	169
	18	---	---
5/8	11	154	230
	11	---	---
3/4	10	257	380
	10	---	---
7/8	9	382	600
	9	---	---
1	8	587	700
	8	---	---

Drive Belt Tension Measurement by Deflection



Deflection should be 3/8" when 8-12 lbs. push is applied at "B"

WARRANTY POLICY

Please remember to complete and return your Warranty Card and Dealer Delivery Report. Warranty Claims will not be considered if the Warranty Card and Dealer Delivery Report have not been returned to Salsco.

Your Salsco Commercial or Turf Equipment product is a commercial type product and is normally manufactured and sold for commercial or industrial use. **Salsco will, for the original purchaser, for one (1) year from the date of purchase (90 days if used for rental purposes) repair or replace, free of charge, any SALSCO part or parts found to be defective in material, workmanship or both.** Any transportation or shipping charges will be borne by the purchaser. If, during the warranty period stated above, the product does not function properly due to defect, simply contact Salsco and follow the Warranty Procedures included in this manual.

This warranty **does not** include:

- Incidental or consequential damages and is exclusive of any implied warranties.
- Normal maintenance parts, including, but not limited to hoses, chains, belts, filters, lubricants, etc.
- Parts or components, which are covered under the original manufacturer warranty, including, but not limited to engines, pumps, and motors.

WARRANTY PROCEDURE

In order for Salsco to consider your warranty claims in a timely manner you must follow the simple procedures listed below:

MACHINE OR PART FAILURE

- Call our service department for helpful instruction on how to correct or repair the problem. Preventive maintenance will also be suggested.
- When ordering parts for Warranty issues, you MUST retain possession of the old parts in question until notified with respect to returning the parts to Salsco or other disposition.
- Warranty Claims MUST be filed within 30-days from completion of the work performed. Contact our office for an electronic warranty claim form.
- Fill in all information requested on warranty claim form, a copy of which is included in this manual, (date of purchase, company name, address, etc.). List all parts used. Make sure part numbers are correct. You can obtain these from your manual. (include good description of problem; i.e. "leaking from spool" rather than "leaking").
- It is our goal to consider and reach a disposition on each Warranty Claim within 30-days from the date that it is received. Therefore it is important that you respond promptly to any request for further information. Claims with no response to inquiries will be closed as "**denied for lack of response**" 90-days from the date of request.
- Email, Fax or Send Warranty Claim form to our Warranty Department. – **Warranty on parts most often requires return of the parts that were replaced.** DO NOT DISCARD OLD PARTS UNTIL YOU HAVE RECEIVED A DETERMINATION AS TO WHETHER THESE PARTS MUST BE RETURNED.
- Our Warranty Department will contact and instruct you on how to return the Parts to Salsco on an RA #. Returns MUST be made within 30-Days from issuance of RA #. **FREIGHT CHARGES ON RETURN OF PARTS IS THE RESPONSIBILITY OF THE CUSTOMER.** Normal pre-delivery adjustments are not covered under warranty. Labor Warranties are based on reasonable time allowances as determined by Salsco, Inc. and paid at 75% of posted labor rate. **TRAVEL TIME IS NOT REIMBURSED UNDER THE WARRANTY POLICY.**
- Be sure to put the RA form inside the box that you are shipping back, also be sure to put on the outside of the box "Return of Goods" and the RA #.
- Ship returns via a traceable method such as UPS Ground Service. Be sure that the shipment is insured for the appropriate value. If uninsured parts are lost, we cannot issue a credit.

PLEASE NOTE: ***Warranty forms should be filled out completely.***

PREVENTIVE MAINTENANCE IS YOUR BEST INSURANCE AGAINST EQUIPMENT FAILURE. BE SURE TO READ THIS MANUAL, ESPECIALLY THE MAINTENANCE, OPERATING AND CAUTION SECTIONS.

**SALSCO, INC., 105 School House Rd.
Cheshire, CT 06410
800-872-5726, 203-271-1682
203-271-2596 (Fax)
sales@salsco.com, www.salsco.com**

WARRANTY CLAIM FORM

SALSCO, INC.
105 School House Rd.
Cheshire, CT 06410

Phone:(203) 271-1682,(800) 872-5726
Fax: (203) 271-2596
Email: s.clark@salsco.com
Website: www.salsco.com

END OWNER

Date Submitted:

Name:	Phone:	Work Order #:
Email:	Fax:	Office Use Only
Address:		Date Rec'd
		Cust ID:
		Salsco WC
		Salsco RA

PURCHASED FROM

Name:	Phone:	Date Approved:
Email:	Fax:	Date Rejected:
Address:		Processed By:
		Dir. Del Report on File: YES NO
		Warranty Card on File: YES NO
		Part(s) Total:
		Labor Total:

Equipment/Warranty Information (Must be complete)

Purchase Date:	Invoice #	Date Failed:	Total Approved:
Model #:	Serial #:	Repair Date:	Approved/Rejected:
Hrs Used:	Primary Use:		Name:
Warranty Claim/Work Order#:			Reason for Rejection:
Was a Salsco Return Authorization # issued for repairs or			
Return of Parts? YES NO			Suggested Preventative Maint:
Probable Cause of Failure:			

Work Performed/Comments on Repair:

Shop Labor Rate:						Submitted By:		
Total Labor Hours to Repair:						Printed Name:		
Parts Required for repair								
Salsco Part #: Description:					Qty.	Price Each	Total	Inv #
							\$	
							\$	
							\$	
							\$	

Fill in all information requested on warranty claim form.
INCOMPLETE FORMS CANNOT BE PROCESSED & WILL BE RETURNED
List all parts used. Make sure part numbers are correct. Any parts that you believe to be defective or any parts that break should be retained for possible inspection until after the warranty has been paid or part has been replaced.

