

**Salsco, INC.**  
LEADER BY DESIGN

MADE IN THE U.S.A

## OPERATORS AND PARTS MANUAL MINI ASPHALT PAVER



---

**MANUFACTURER OF OUTDOOR POWER EQUIPMENT**

Products for Turf & Lawn care, Rental, Construction, Tree care, Wood Processing, Nursery & Farm Industries

*Other Salsco Equipment*

**3-1/2" - 18", Gas, Diesel, and P.T.O, Wood/Brush Chippers**

**Chipper Shredder Vacuum - Tailgate & Truckloader Vacuums up to 65 HP**

**Shaving Mills - Gas and Electric Greens Rollers**

*Quality of Workmanship, Innovative  
Design, Built to Last!*

105 School House Road  
Cheshire, CT 06410 U.S.A.  
800-872-5726, 203-271-1682, 203-271-2596 (Fax)  
sales@salsco.com, www.salsco.com

**TABLE OF CONTENTS**

**MODEL 05004 MINI PAVER, DESCRIPTION**

COVER & TABLE OF CONTENTS.....Pages 1 – 2

STATEMENT OF FACT ..... Page 3

SPECIFICATIONS & FEATURES .....Page 4

MACHINE REGISTRATION .....Page 5

SAFETY & OPERATING INSTRUCTIONS .....Pages 6-7

SERVICE & MAINTENANCE INSTRUCTIONS .....Page 8

PARTS DIAGRAMS .....Pages 9-13

SERVICE BULLETIN.....Pages 14

TORQUE CHARTS .....Page 15

WARRANTY POLICY/PROCEDURE .....Page 16-17

COPY OF WARRANTY CLAIM FORM.....Page 18

COPY OF DEALER DELIVERY REPORT AND WARRANTY CARD.....Page 19

SERVICE SCHEDULE LOG .....Page 20

SALSCO, INC.  
105 School House Road  
Cheshire, CT 06410  
800-872-5726, 203-271-1682  
203-271-2596 (Fax)  
[www.salsco.com](http://www.salsco.com), [sales@salsco.com](mailto:sales@salsco.com)

## **STATEMENT OF FACT**

You have just purchased the highest quality, most dependable, 05004 Mini Paver, on the market today. This unit has the ability to meet exact standards and perform for years with minimum downtime. HOWEVER, it cannot read nor will it understand this manual no matter how long you leave it on top of the machine.

**It is your responsibility** to read and understand this manual; it is also your responsibility to be certain this information is passed along to anyone who is expected to operate this equipment. Should you choose not to read, understand and pass along the information provided you, please expect equipment failure and possible injuries to persons around this equipment.

For the safety of the operator, it is **imperative** that this manual is carefully read and understood.

Once you have read this manual, it is your responsibility to be sure that all new operators read and understand this manual, especially all cautions stated.

As a manufacturer of equipment, we have a responsibility to design a safe piece of equipment. NOTE: The important safeguards and instructions in this manual are not meant to cover all possible conditions and situations that may occur. It must be understood that common sense, caution, and care are factors, which cannot be built into any product. These factors must be supplied by the person(s) caring for and operating this equipment.

**ONLY YOU CAN PREVENT ACCIDENTS!!**

## SPECIFICATIONS & FEATURES

The SALSCO SIDEWALKER\* is the only sidewalk paver on the market. It has the ability to pave a 36" to 72" wide path at a speed of 50 ft. per hour with an asphalt depth of 1/4" to 5".

The unit is equipped with a 13 HP Honda electric start engine with an infinitely variable hydrostatic drive forward or reverse.

The screed, which is free floating with adjustments to control asphalt thickness and compensate for variations in ground contour, also includes adjustment to crown or invert pavement surfaces. The hopper can be fed on either side by curb feeding or wheelbarrows.

The unit size is 54" wide x 96" long with a height of 36" and a weight of 1040 lbs. It has a ground transport speed of 3 1/2 M.P.H.

**ENGINE:** Honda 13 hp, electric start mounted on 1/2" thick steel plate motor mount.

**BATTERY:** 12 volt, automotive type.

**DRIVE:** Hydrostatic; variable forward and reverse.

**PUMP:** Sunstrand.

**MOTOR:** Char-Lynn.

**HOSES:** 2,500 P.S.I. working, 10,000 P.S.I. burst.

**CHAINS & SPROCKETS:** #50 chain and sprockets.

**BEARINGS:** Cast iron, heavy duty, greaseable.

**HOPPER:** Hopper is constructed of 11 gauge steel, formed and gusseted for strength. Removable sides for ease of loading with wheelbarrows or a curb feeder.

**SCREED:** Free floating and adjustable; compensates for variations in ground contour.

**SIDE WALLS:** Constructed of 11 gauge steel, formed and gusseted for extra strength.

**MAIN FRAME:** (1) One piece, 1/4" thick steel main frame. 2" x 2" square tubing supports.

**FENDERS:** 1/4" thick steel heavy duty fenders over front tires.

**TIRES:** (Front): Dual rubber tires, Quantity (4), 4 ply, 13 x 5.00-6.

**TIRES:** (Rear): Quantity (2), 2 ply, 13 x 5.00-6.

**WELDS:** Continuous welds where needed for durability.

**GUSSETS:** 1/4" gussets where needed for strength.

**PAINT:** Powder coat baked enamel polyester finish; resists ultraviolet light.

**TRANSPORT SPEED:** 3 1/2 Miles Per Hour

**LENGTH:** 96"

**WIDTH:** 54"

**HEIGHT:** 36"

**WEIGHT:** Approximately 1,040 lbs.

**WARRANTY:** 1 year standard warranty

Specification & Options Subject to Change Without Notice

REV 10/03

**PLEASE REFER TO THE "CAUTIONS" SECTION IN THIS MANUAL**

**MACHINE REGISTRATION**

MANUFACTURED BY: SALSCO, INC.  
105 School House Rd., Cheshire, CT 06410  
800-872-5726, 203-271-1682, 203-271-2596 (Fax)  
[sales@salsco.com](mailto:sales@salsco.com) [www.salsco.com](http://www.salsco.com)

THIS MANUAL COVERS MODEL (s): 05004, MINI PAVER

This company reserves the right to discontinue, add improvements to, or change the design of any model or product at any time without obligation to improve existing machines, either by changing the design or adding new parts.

It has been and will continue to be the policy of SALSCO to update existing machines at its own discretion. Whenever possible, new designs will be made in such a way that they can be "Retro Fit" if so desired.

Record in the space provided below the model and serial number of this unit. Please retain these numbers for future reference.

No parts orders will be accepted **WITHOUT MODEL NUMBERS OR PART NUMBERS**. All part numbers are listed in this manual.

\_\_\_\_\_

Serial Number

\_\_\_\_\_

Model Number

NOTE: Be sure to complete your warranty card. This will insure immediate processing of any warranty claims.

**READ AND UNDERSTAND THIS MANUAL BEFORE STARTING THE MACHINE**

## "CAUTIONS"

### **BEFORE YOU START THIS MACHINE:**

1. **READ** and **UNDERSTAND** owner's manual.
2. **BE SURE** that the "forward/reverse" lever is locked in neutral position before starting engine.
3. **NEVER** leave machine running while unattended.
4. **NEVER** reach under or into machine while it is running.
5. **BE SURE** that screed is in full "UP" position when machine is in transport.
6. **UNDER NO CIRCUMSTANCES** ever allow any part of your body or anyone else's body to come in contact with moving drive parts such as, but not limited to, chains, sprockets, couplings, and cylinders.
7. **ALWAYS** remove spark plug wire, make sure engine switch is off, throttle is in "**STOP**" position, and shut gas off when working on or checking this machine.
8. **DO NOT** remove caution decals.
9. Safety decals should be replaced immediately after repainting or when they become illegible. **\*\*SEE NOTE BELOW\*\***

### **\*\*NOTE\*\***

SAFETY IS A PRIME CONCERN AT SALSCO AND THE SAFETY DECALS ON YOUR MACHINE ARE A HIGHLY VISIBLE AND CONSTANT REMINDER TO ALL OPERATORS. REPLACEMENT SAFETY DECALS MAY BE OBTAINED FROM YOUR LOCAL DEALER OR BY CALLING TOLL FREE 1-800-872-5726.

**NEVER OPERATE THIS MACHINE WITHOUT GUARDS IN PLACE.**

## **OPERATION & START-UP INSTRUCTIONS**

- A) **BE SURE** that "Forward/Reverse" lever is locked in neutral position.
- B) Place switch on motor to "ON" position. Place Choke Lever (just under air cleaner) to "CHOKE" position if needed.
- C) Place Toggle Switch on control panel to "ON" position.
- D) Place Throttle Lever on control panel to "FAST" or "START" position and push starter switch button to start engine.
- E) Place Throttle Lever to "LOW" engine speed and return Choke Lever to "NORMAL" position.
- F) The "Forward/Reverse" Lever is supplied with two lock levers, which can be lifted away individually. Pull the Drive Lever for "FORWARD" and push for "REVERSE".
- G) **BE SURE** that the screed is lifted to the "UP" position before transport.
- H) Adjust the two Screw Handles on screed for proper paving depth.

## **MAINTENANCE**

1. There are nine (9) grease fittings on this unit. One (1) on each front wheel, one (1) on each front wheel pivot bushing and one (1) on each screed adjustment bearing. They should be greased weekly.
2. All chains and sprockets should be checked daily for alignment and lubricated if needed.
3. Check engine manual for maintenance on engine oil, gearbox oil, and air cleaner.

**BEFORE PERFORMING ANY MAINTENANCE**  
**REMOVE KEY FROM ENGINE & DISCONNECT PARK PLUG.**

## **SERVICE AND DISASSEMBLY PROCEDURE**

- 1)
  - a. **REMOVE** spark plug wire.
  - b. **MAKE SURE** that engine switch is in "OFF" position.
  - c. **MAKE SURE** throttle is in "STOP" position.
  - d. Shut off gas.
  - e. Drop screed to "DOWN" Position.
  
- 2)
  - a. Remove Cylinder Mounting Pins and place cylinder with hoses to right side of machine.
  - b. Remove Pivot Arm Bolts, Screed Bearing Bolts, and Connecting Link Bolts. Pivot Arms and Screed can now be removed.  
**\*NOTE:** (Right arm is still connected to main frame with Hydraulic Hoses).
  
- 3) TO REMOVE HOPPER
  - a. Support front side of hopper so that it will not fall when bolts are removed.
  - b. Remove two bolts on rear underside of hopper.
  - c. Remove two bolts from side legs of hopper.
  - d. Remove two bolts from Hopper Extension Plate. Front and rear Extension Plates can be removed from hopper if desired.
  - e. Hopper can be lifted off the main frame.
  
- 4) TO REMOVE MOTOR AND PUMP ASSEMBLY
  - a. Remove one bolt from Adjustable Connecting Link.
  - b. Remove Hydraulic Hoses from Hydrostatic Pump. Be sure to mark each hose for ease of reassembly.
  - c. Remove Throttle Cable and gas line to motor.
  - d. Remove bolts, motor and then pump assembly can be removed.
  
- 5) TO REMOVE HYDRAULIC TANK
  - a. If it is necessary to remove Hydraulic Tank, remove only the hoses that are necessary and mark them clearly to where they connect for ease of reassembly.
  - b. Remove bolts and then tank can be removed. Should Hydraulic Hoses become mixed up, connect A to A, B to B, etc. as shown in diagram.

### **TO REASSEMBLE; REVERSE PROCEDURE**



PAVER PARTS LIST

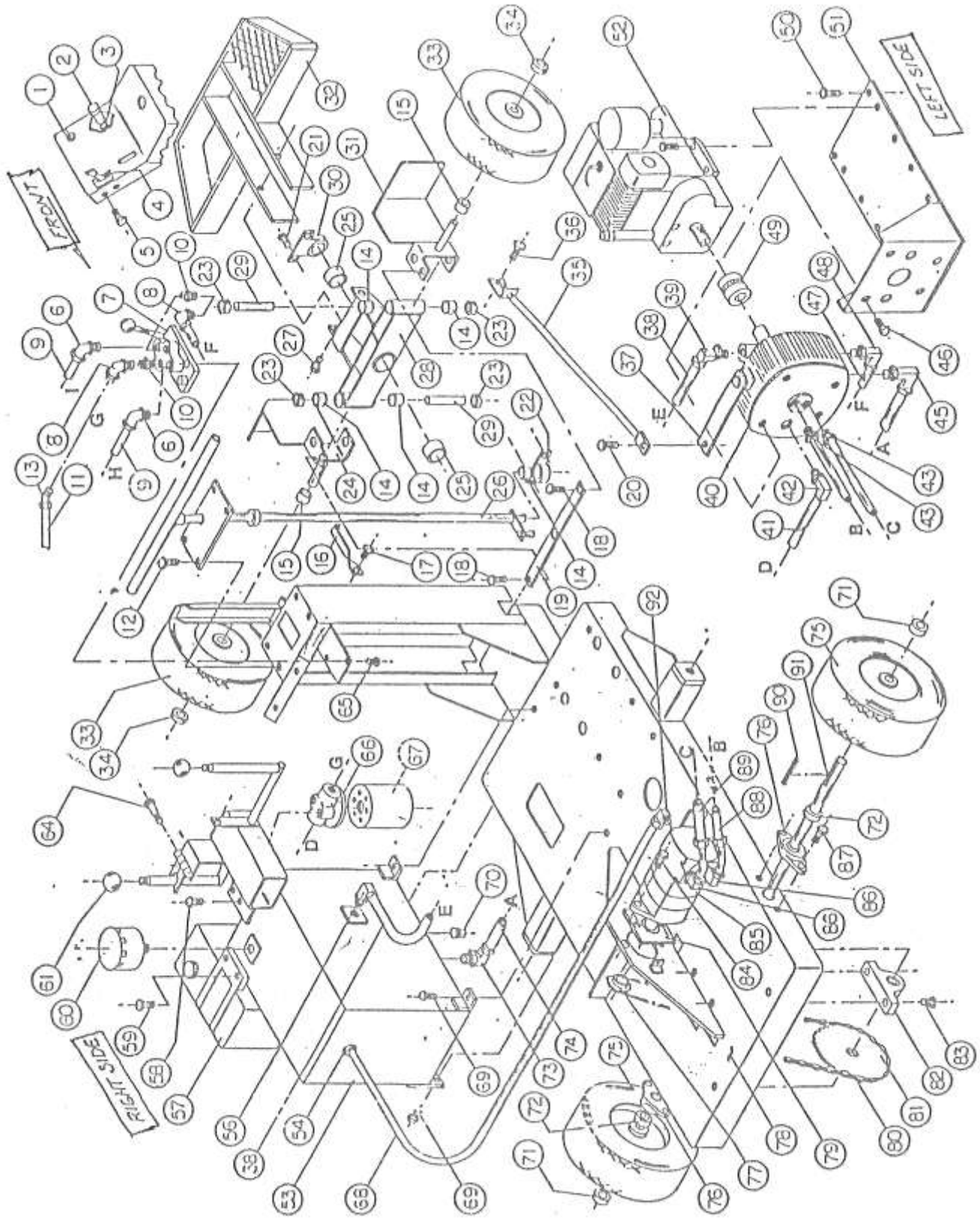
<u>ITEM</u>	<u>PART NO.</u>	<u>DESCRIPTION</u>	<u>QTY.</u>
1	G193	Toggle Switch	1
	H193	Switch Boot	1
2	I193	Starter Switch	1
3	A132	Nut & Bolt	2
4	A105	Throttle Cable Assembly	1
5	A134	Nut & Bolt	2
6	E195	Elbow	2
7	B197	Hydraulic Valve	1
8	F195	Elbow	2
9	C190	Hose Assy 112" "I & H"	2
10	D195	Tube Adapter	2
11	D190	Hose Assy. 21" "G"	1
12	A133	Nut & Bolt	4
13	G195	Elbow 45 Degrees	1
14	A120	Bushing	5
15	J089	Wheel Spacer	2
16	0096	Step Holding Bracket	1
17	A133	Nut & Bolt	1
18	C150	Nut & Bolt	2
19	I181	Tie Bar	1
20	A142	Nut & Bolt	1
21	A141	Nut & Bolt	2
22	L096	Steering Pivot Bracket	1
23	A081	3/4 Locking Collar	4
24	C088	Right Wheel Pivot Axle	1
25	B120	Bushing	2
26	E076	Steering Shaft	1
27	C150	Nut & Bolt	2
28	M096	Pivot Arm Bracket	1
29	F076	Front Wheel Pivot Shaft	2
30	B081	Locking Collar Bracket	1
31	0088	Left Wheel Pivot Axle	1
32	B504	Front Step	1
33	E085	Front Wheel	2
34	A081	Locking Collar 3/4	2
35	H181	Connecting Link Adjustable	1
36	C150	Nut & Bolt	1
37	0433048-N	LEVER,PUMP CONTROL rev. 04.08.08	1
38	E190	Hydraulic Hose Assy. 11" "E"	1
39	H195	90 Degree Elbow	1
40	C189	Hydrostatic Pump	1
41	F190	Hose Assy. 51" "D"	1
42	E195	Elbow 90 Degrees	1
43	I195	Elbow 45 Degrees	2
44			
45	J195	Elbow 90 Degrees	1
46	B144	Nut & Bolt	4
47	G190	Hose Assy. "F" 48"	1
48	E195	Elbow 90 Degrees	1
49	B050	Love Joy Coupling	1
50	A142	Nut & Bolt	6
51	F164	Pump & Motor Mt'g Bracket	1
52	F200	Briggs & Stratton Motor	1

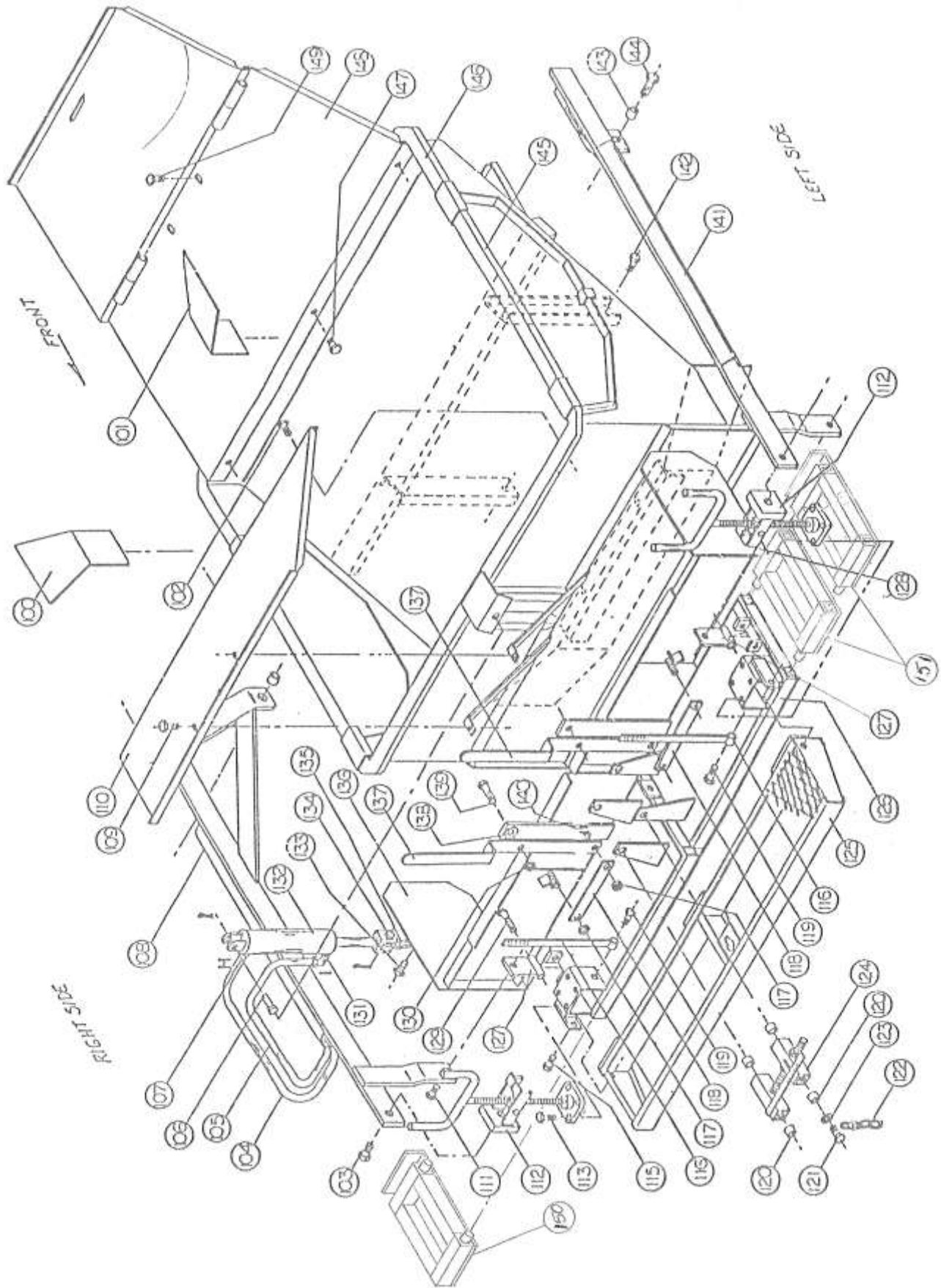
PAVER PARTS LIST (Continued)

<u>ITEM</u>	<u>PART NO.</u>	<u>DESCRIPTION</u>	<u>QTY.</u>
53	B183	Hydraulic Tank & Contrl. Handles	1
54	K195	90 Degree Elbow	1
55			
56	L195	90 Degree Elbow	1
57	C183	Gas Tank	1
58	A133	Bolt	2
59	B140	Bolt	4
60	B175	Filler Breather Cap	1
61	A104	Knob	2
62			
63			
64	B145	Nut & Bolt	1
65	A161	Bolt	
66	E175	Filter Mount	1
67	F175	Oil Filter	1
68	H190	Hose Assy. 26"	1
69	A141	Nut & Bolt	4
70	B174	Drain Plug	1
71	A079	Collar 1"	2
72	E089	Spacer	2
73	L195	Elbow 90 Degree	1
74	I190	Hose Assy. 14"	1
75	F085	Rear Wheel	2
76	A179	Flange Bearing	2
77	* F046	Sprocket #40 Chain	1
78	B501	Main Frame	1
79	G164	Motor Plate	1
80	* F054	Chain, Drive #40	1
81	* G046	Sprocket #40 Chain	1
82	A178	Bearing Pillow Block	1
83	A148	Nut & Bolt	2
84	A150	Nut & Bolt	2
85	D189	Hydraulic Motor	1
86	M195	90 Degree Elbow	2
87	A148	Nut & Bolt	4
88	J190	Hose Assy. 16" "B"	1
89	K190	Hose Assy. 15" "C"	1
90	C007	1/4" Sq. Key	2
91	G076	Drive Shaft	1
92	N195	90 Degree Elbow	1
93			
94	*NEW PAVERS USE #50 Chain. New part #'s are as follows:		
95	Sprocket (F046) now is 0351052		
96	Chain (F054) now is 0309027		
97	Sprocket (G046) now is 0351031		
98			
99			
100	H502	Width Adjusting Plate, Right	1
101	G502	Width Adjusting Plate, Left	1
102	A141	Nut & Bolt	3

PAVER PARTS LIST (Continued)

<u>ITEM</u>	<u>PART NO.</u>	<u>DESCRIPTION</u>	<u>QTY.</u>
103	A150	Nut & Bolt	2
104	C190	Hose Assy. "H"	1
105	C190	Hose Assy. "I"	1
106	C098	Cylinder Mounting Pin	1
107	K196	Elbow 90 Degree	1
108	G100	Screed Pivot Arm, Right	1
109	A141	Nut & Bolt	2
110	E502	Rear Extension Plate	1
111	C150	Nut & Bolt	2
112	C009	Screed Height Adjuster Assy. with	2
113	A142	Nut & Bolt Bearing (B179)	8
115	C150	Nut & Bolt	2
116	A209	Screed Height Gage	2
117	B158	Nut	4
118	J181	Width Adjusting Link	2
119	C150	Nut & Bolt	2
120	K089	Spacer	4
121	A142	Bolt	4
122	B053	Chain	1
123	A147	Washer	4
124	B009	Screed Adjustment Assy.	1
125	A504	Rear Step	1
126	A503	Screed Assembly	1
127	K181	Connecting Link	2
128	B503	Left, End Gate	1
129	B151	Nut & Bolt	2
130	A158	Nut	2
131	0195	Elbow 45 Degrees	1
132	0330005	Cylinder Screed Raising	1
133	C150	Nut & Bolt	1
134	C098	Cylinder Mounting Pin	1
135	C053	Chain	1
136	C503	Right, End Gate	1
137	A208	Width Adjusting Lever	2
138	B147	Washer	2
139	C150	Bolt	2
140	A142	Bolt	2
141	H100	Screed Pivot Arm, Left	1
142	C150	Nut & Bolt	2
143	L089	Pivot Spacer	2
144	A154	Bolt	2
145	J502	Removable Side Panel	2
146	D502	Hopper	1
147	A141	Nut & Bolt	3
148	I502	Front Extension Plate	1
149	A141	Nut & Bolt	2
150	F503	Right Screed Ext. 6" each	2
151	G503	Left Screed Ext. 6" each	2

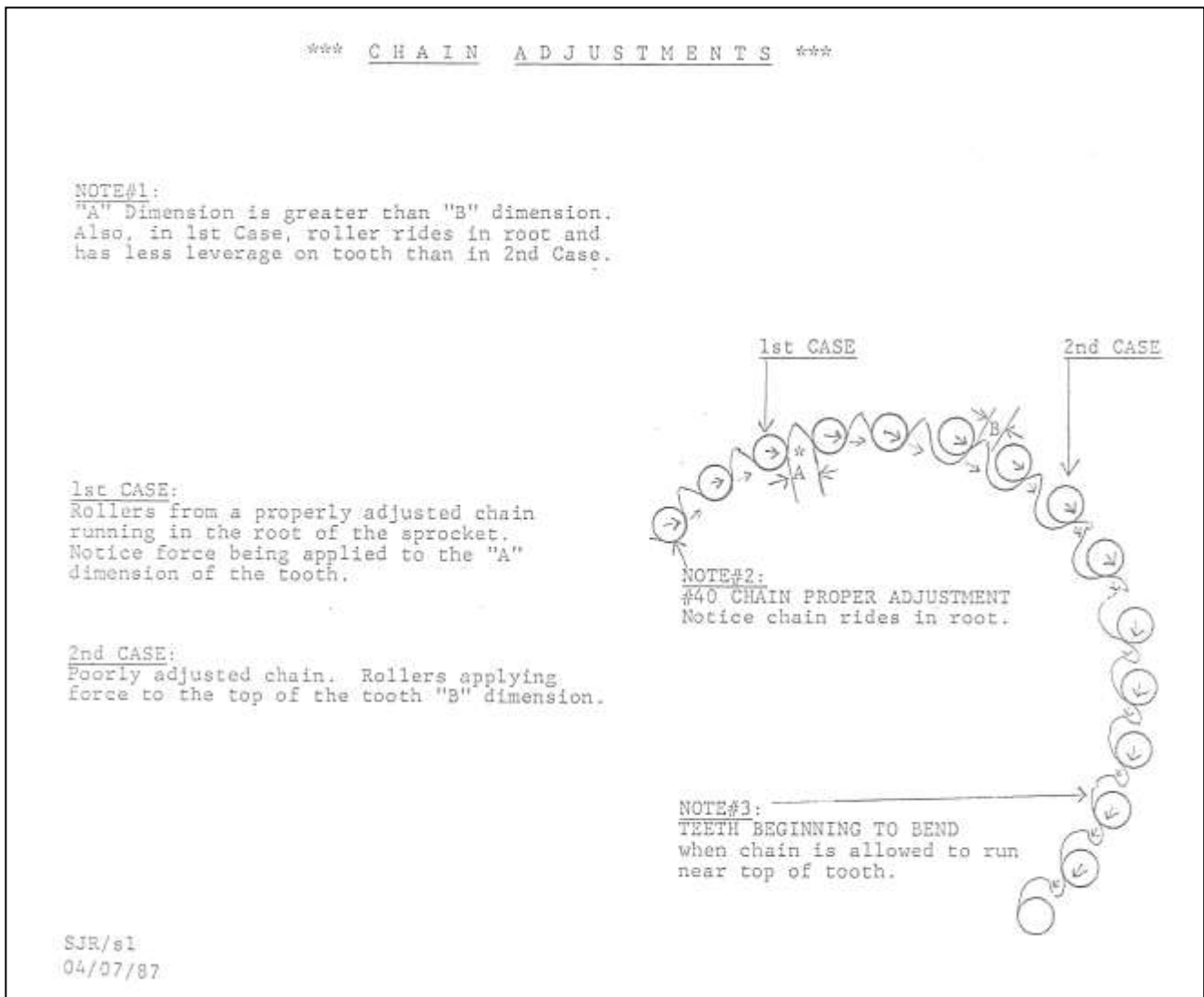




## CHAIN ADJUSTMENTS

PLEASE FIND BELOW A CHART, WHICH IS SELF-EXPLANATORY WITH RESPECT TO WHY SPROCKETS WEAR. PLEASE ADVISE YOUR CUSTOMERS THAT CHAINS SHOULD BE CHECKED FOR ALIGNMENT AND TIGHTNESS DAILY AS POINTED OUT IN OUR SERVICE MANUAL. WHILE IT SHOULD NOT BE NECESSARY TO ADJUST THE CHAINS DAILY, WE DO SUGGEST AT LEAST A VISUAL INSPECTION.

IF YOU SHOULD HAVE ANY FURTHER QUESTIONS, PLEASE DO NOT HESITATE TO CONTACT US.

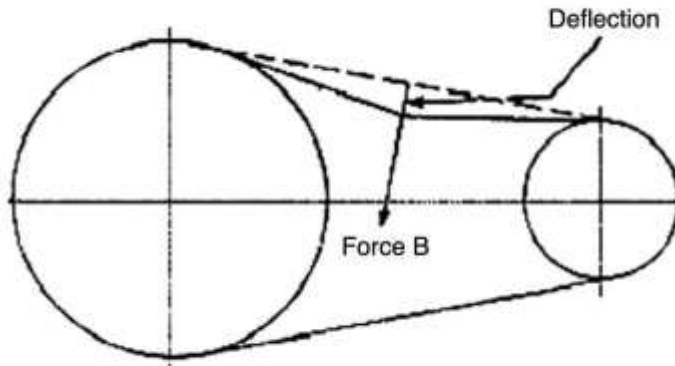


Below is a quick reference chart for various "Flat Head Cap Screws" and the torque recommendations.

**VALUES ARE STATED IN FOOT POUNDS**

BOLT SIZE	Thds Per Inch	SAE Grade 5	SAE Grade 8
1/4	20	10	14
	28	---	---
5/16	18	19	29
	24	---	---
3/8	16	33	47
	24	---	---
7/16	14	54	78
	20	---	---
1/2	13	78	119
	20	---	---
9/16	12	114	169
	18	---	---
5/8	11	154	230
	11	---	---
3/4	10	257	380
	10	---	---
7/8	9	382	600
	9	---	---
1	8	587	700
	8	---	---

Drive Belt Tension Measurement by Deflection



Deflection should be 3/8" when 8-12 lbs. push is applied at "B"

## **WARRANTY POLICY**

***Please remember to complete and return your Warranty Card and Dealer Delivery Report. Warranty Claims will not be considered if the Warranty Card and Dealer Delivery Report have not been returned to Salsco.***

Your Salsco Commercial or Turf Equipment product is a commercial type product and is normally manufactured and sold for commercial or industrial use. **Salsco will, for the original purchaser, for one (1) year from the date of purchase (90 days if used for rental purposes) repair or replace, free of charge, any SALSCO part or parts found to be defective in material, workmanship or both.** Any transportation or shipping charges will be borne by the purchaser. If, during the warranty period stated above, the product does not function properly due to defect, simply contact Salsco and follow the Warranty Procedures included in this manual.

This warranty **does not** include:

- Incidental or consequential damages and is exclusive of any implied warranties.
- Normal maintenance parts, including, but not limited to hoses, chains, belts, filters, lubricants, etc.
- Parts or components, which are covered under the original manufacturer warranty, including, but not limited to engines, pumps, and motors.

## **WARRANTY PROCEDURE**

In order for Salsco to consider your warranty claims in a timely manner you must follow the simple procedures listed below:

### **MACHINE OR PART FAILURE**

- Call our service department for helpful instruction on how to correct or repair the problem. Preventive maintenance will also be suggested.
- When ordering parts for Warranty issues, you **MUST** retain possession of the old parts in question until notified with respect to returning the parts to Salsco or other disposition.
- Warranty Claims **MUST** be filed within 30-days from completion of the work performed. Contact our office for an electronic warranty claim form.
- Fill in all information requested on warranty claim form, a copy of which is included in this manual, (date of purchase, company name, address, etc.). List all parts used. Make sure part numbers are correct. You can obtain these from your manual. (include good description of problem; i.e. "leaking from spool" rather than "leaking").
- It is our goal to consider and reach a disposition on each Warranty Claim within 30-days from the date that it is received. Therefore it is important that you respond promptly to any request for further information. Claims with no response to inquiries will be closed as "**denied for lack of response**" 90-days from the date of request.
- Email, Fax or Send Warranty Claim form to our Warranty Department. – **Warranty on parts most often requires return of the parts that were replaced. DO NOT DISCARD OLD PARTS UNTIL YOU HAVE RECEIVED A DETERMINATION AS TO WHETHER THESE PARTS MUST BE RETURNED.**
- Our Warranty Department will contact and instruct you on how to return the Parts to Salsco on an RA #. Returns **MUST** be made within 30-Days from issuance of RA #. **FREIGHT CHARGES ON RETURN OF PARTS IS THE RESPONSIBILITY OF THE CUSTOMER.** Normal pre-delivery adjustments are not covered under warranty. Labor Warranties are based on reasonable time allowances as determined by Salsco, Inc. and paid at 75% of posted labor rate. **TRAVEL TIME IS NOT REIMBURSED UNDER THE WARRANTY POLICY.**
- Be sure to put the RA form inside the box that you are shipping back, also be sure to put on the outside of the box "Return of Goods" and the RA #.
- Ship returns via a traceable method such as UPS Ground Service. Be sure that the shipment is insured for the appropriate value. If uninsured parts are lost, we cannot issue a credit.

**PLEASE NOTE:**     ***Warranty forms should be filled out completely.***

**PREVENTIVE MAINTENANCE IS YOUR BEST INSURANCE AGAINST EQUIPMENT FAILURE. BE SURE TO READ THIS MANUAL, ESPECIALLY THE MAINTENANCE, OPERATING AND CAUTION SECTIONS.**

**SALSCO, INC., 105 School House Rd.  
Cheshire, CT 06410  
800-872-5726, 203-271-1682  
203-271-2596 (Fax)  
sales@salsco.com, [www.salsco.com](http://www.salsco.com)**



**WARRANTY CLAIM FORM**

SALSCO, INC.  
 105 School House Rd.  
 Cheshire, CT 06410

Phone: (203) 271-1682, (800) 872-5726  
 Fax: (203) 271-2596  
 Email: s.clark@salsco.com  
 Website: www.salsco.com

<b>END OWNER</b>			<b>Date Submitted:</b>			
Name:		Phone:	Work Order #:			
Email:		Fax:	Office Use Only			
Address:			Date Rec'd			
			Cust ID:			
			Salsco WC			
			Salsco RA			
<b>PURCHASED FROM</b>			Date Approved:			
Name:		Phone:	Date Rejected:			
Email:		Fax:	Processed By:			
Address:			Dir. Del Report on File: YES NO			
			Warranty Card on File: YES NO			
			Part(s) Total:			
<b>Equipment/Warranty Information (Must be complete)</b>			Labor Total:			
Purchase Date:	Invoice #	Date Failed:	Total Approved:			
Model #:	Serial #:	Repair Date:	Approved/Rejected:			
Hrs Used:	Primary Use:		Name:			
			Reason for Rejection:			
Warranty Claim/Work Order#:						
Was a Salsco Return Authorization # issued for repairs or						
Return of Parts?	YES	NO	<b>Suggested Preventative Maint:</b>			
Probable Cause of Failure:						
Work Performed/Comments on Repair:						
Shop Labor Rate:			<b>Submitted By:</b>			
Total Labor Hours to Repair:			<b>Printed Name:</b>			
Parts Required for repair						
Salsco Part #: Description:			Qty.	Price Each	Total	Inv #
					\$	
					\$	
					\$	
					\$	
Fill in all information requested on warranty claim form. <b>INCOMPLETE FORMS CANNOT BE PROCESSED &amp; WILL BE RETURNED</b> List all parts used. Make sure part numbers are correct. Any parts that you believe to be defective or any parts that break should be retained for possible inspection until after the warranty has been paid or part has been replaced.						

# Salsco, Inc.

105 School House Rd.  
Cheshire, CT 06410  
203-271-1682

sales@salsco.com  
www.salsco.com

800-872-5726  
203-271-2596 (Fax)

## DEALER DELIVERY REPORT

MODEL		SERIAL NO				
DEALER		CITY	STATE	ZIP		
PURCHASER (Last Name or Company)	(First Name)	(Middle Name)	ADDRESS	CITY	STATE	ZIP

The undersigned dealer warrants that the above-described machine was carefully inspected, adjusted and prepared for delivery before delivery to the purchaser; that both the operation and maintenance of the machine were explained to the purchaser; and that a copy of the Owner's Instruction Manual were given to the purchaser and his attention called to Our Warranty and any operating instructions included in the manual and caution notes.

Date \_\_\_\_\_ Dealer \_\_\_\_\_  
Sign By \_\_\_\_\_  
Phone \_\_\_\_\_

The undersigned purchaser certifies that the operation and maintenance of the above-described machine have been explained to him; acknowledges receipt of a copy of the Owners's Instruction Manual and Our Warranty Policy printed in said Instruction Manual and Caution Notes. I also understand that it is my responsibility to explain and make Salsco manuals available to new operators.

Date \_\_\_\_\_ Purchaser \_\_\_\_\_  
Sign By \_\_\_\_\_  
Phone \_\_\_\_\_  
Email \_\_\_\_\_

FACTORY COPY WHITE - DEALER'S COPY YELLOW - OWNER'S COPY PINK

SERIAL #

MODEL NO.

### SALSCO LIMITED WARRANTY CARD

1. DATE PURCHASED: \_\_\_\_\_
2. PURCHASER: \_\_\_\_\_
3. PURCHASER ADDRESS: \_\_\_\_\_  
\_\_\_\_\_
4. EMAIL ADDRESS: \_\_\_\_\_
5. DEALER: \_\_\_\_\_
6. DEALER ADDRESS: \_\_\_\_\_
7. WILL THIS EQUIPMENT BE USED COMMERCIALY?  YES  NO
8. DID DEALER SERVICE THIS EQUIPMENT AND INSTRUCT YOU IN ITS CARE AND SAFE OPERATION ?  YES  NO
9. DID YOU RECEIVE AN "OPERATION & SERVICE MANUAL" AND SAFETY PAMPHLET?  YES  NO

## NOTICE

SIGNED \_\_\_\_\_  
Purchaser

IMPORTANT: THIS CARD MUST BE FILLED OUT COMPLETELY AND MAILED TO THE FACTORY WITHIN 10 DAYS OF PURCHASE DATE, OR YOUR LIMITED WARRANTY WILL BE VOIDED.

WHITE - DEALER

YELLOW - OWNER

CARD - FACTORY

### SERVICE RECORD

If kept properly, this schedule will help track problems in the future.

Date	Qty.	Part #	Description of Work Done	Hours Used	Total Hours to Date

MODEL # \_\_\_\_\_ S/N \_\_\_\_\_

DATE PURCHASED: \_\_\_\_\_