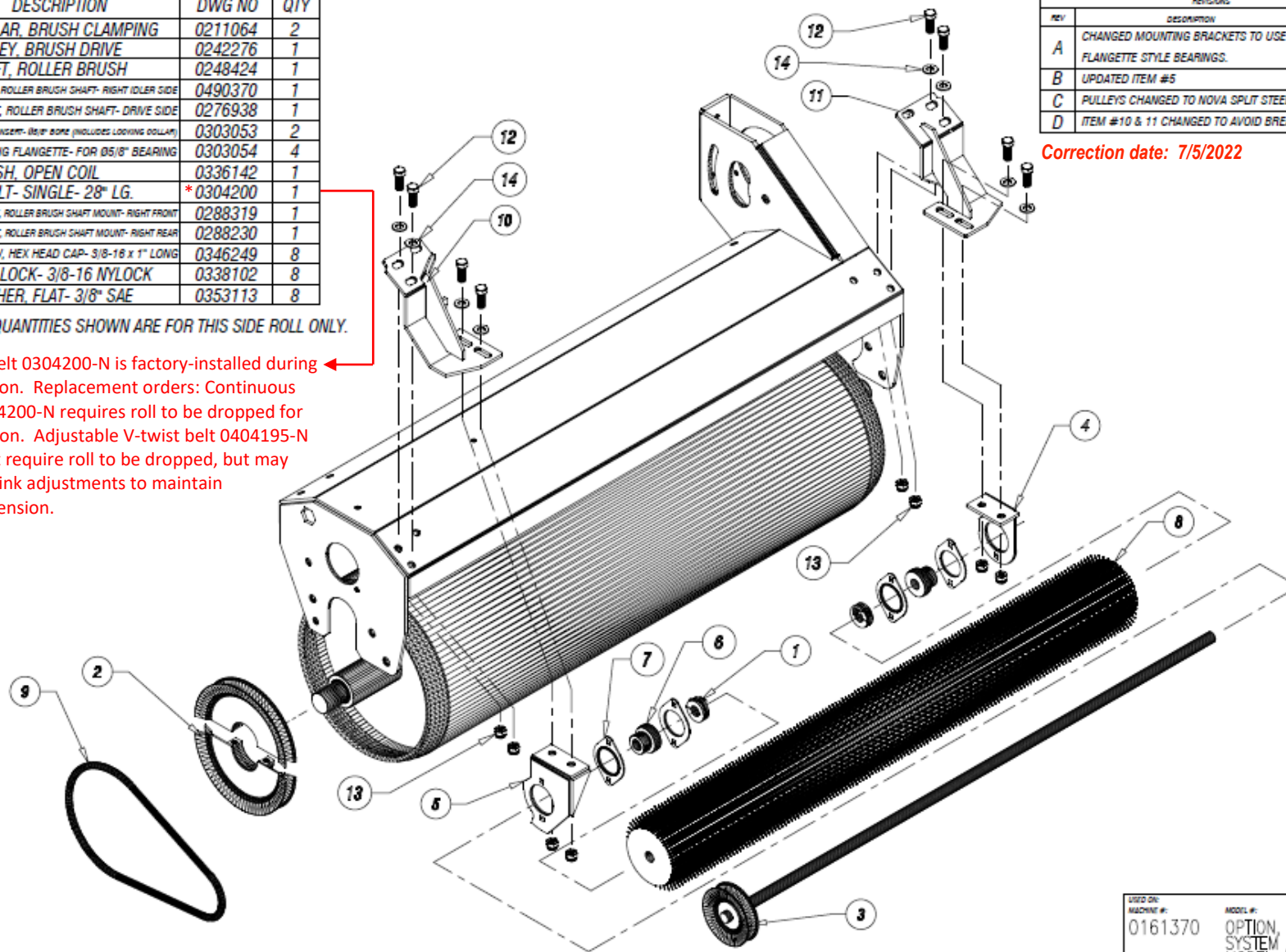


ITEM	DESCRIPTION	DWG NO	QTY
1	COLLAR, BRUSH CLAMPING	0211064	2
2	PULLEY, BRUSH DRIVE	0242276	1
3	SHAFT, ROLLER BRUSH	0248424	1
4	MOUNT, ROLLER BRUSH SHAFT- RIGHT IDLER SIDE	0490370	1
5	MOUNT, ROLLER BRUSH SHAFT- DRIVE SIDE	0276938	1
6	BEARING INSERT- 1/2" BORE (INCLUDES LOADING COLLAR)	0303053	2
7	BEARING FLANGETTE- FOR 05/8" BEARING	0303054	4
8	BRUSH, OPEN COIL	0336142	1
9	V-BELT- SINGLE- 28" LG.	*0304200	1
10	BRACKET, ROLLER BRUSH SHAFT MOUNT- RIGHT FRONT	0288319	1
11	BRACKET, ROLLER BRUSH SHAFT MOUNT- RIGHT REAR	0288230	1
12	SCREW, HEX HEAD CAP- 3/8-16 x 1" LONG	0346249	8
13	NUT, LOCK- 3/8-16 NYLOCK	0338102	8
14	WASHER, FLAT- 3/8" SAE	0353113	8

*ITEMS & QUANTITIES SHOWN ARE FOR THIS SIDE ROLL ONLY.

*NOTE: Belt 0304200-N is factory-installed during production. Replacement orders: Continuous belt 0304200-N requires roll to be dropped for installation. Adjustable V-twist belt 0404195-N does not require roll to be dropped, but may require link adjustments to maintain proper tension.



REVISIONS		
REV	DESCRIPTION	DATE
A	CHANGED MOUNTING BRACKETS TO USE FLANGETTE STYLE BEARINGS.	11/16/16 R.R.J.
B	UPDATED ITEM #5	03/26/18 D.M.N.
C	PULLEYS CHANGED TO NOVA SPLIT STEEL TYPE.	3/4/20 R.R.J.
D	ITEM #10 & 11 CHANGED TO AVOID BREAKAGE.	6/15/21 R.R.J.

Correction date: 7/5/2022

NOTES:
-RIGHT ROLL

PART OF WELDMENT #:	PART OF SUB-ASSY #:	DRAWN BY:	DATE:	USED ON:	MODEL #:
---	---	SALSCO	5/21/15	0161370	OPTION, ROTARY BRUSH SYSTEM FOR 0009070 MODEL #HP11
MATERIAL SIZE				PART NAME	
SEE ITEM DESCRIPTIONS				ROTARY BRUSH SYSTEM	
QTY:				PART #:	REV:
1				0161370	SHEET 1 OF 2 D

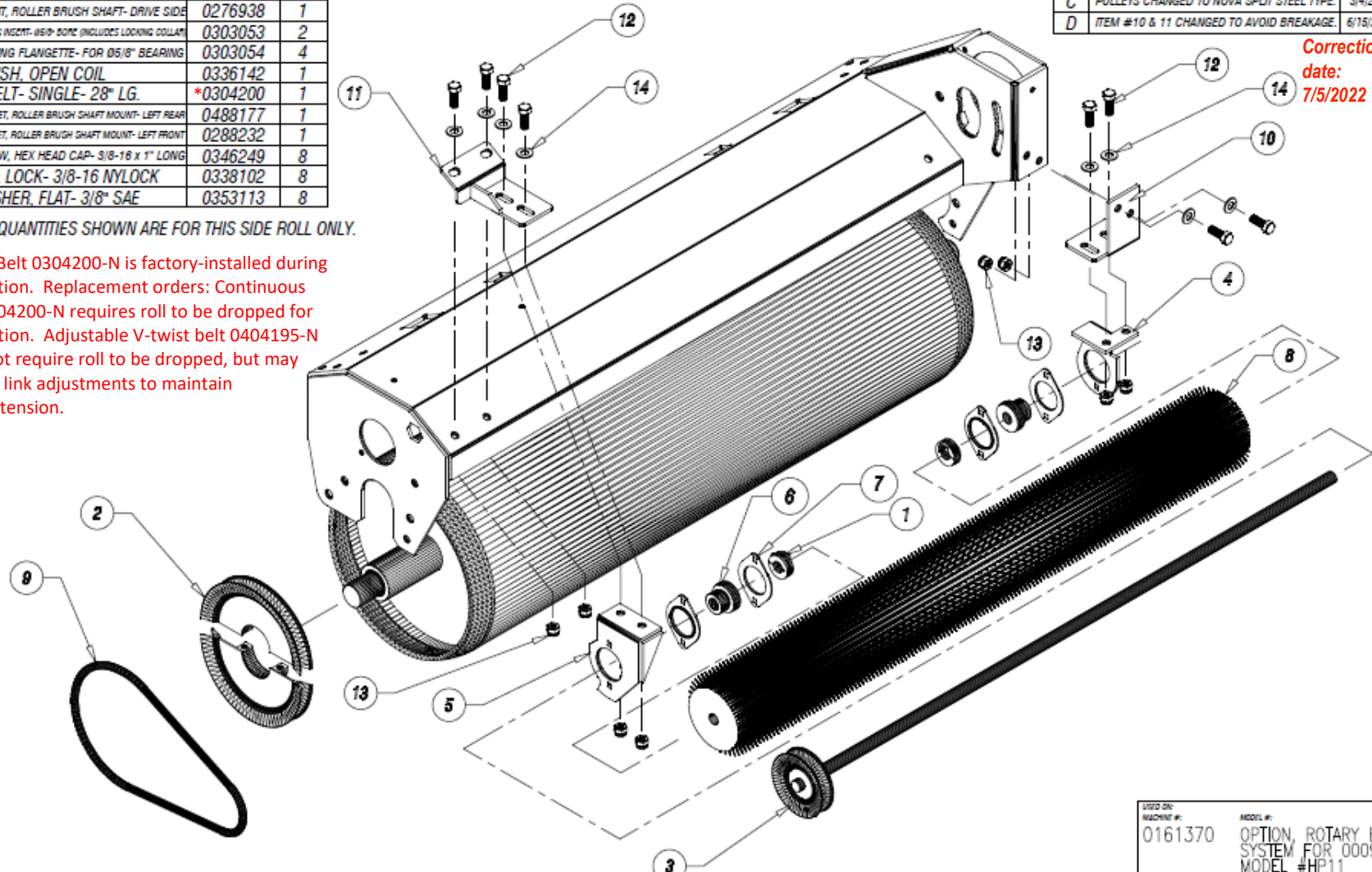
ITEM	DESCRIPTION	DWG NO	QTY
1	COLLAR, BRUSH CLAMPING	0211064	2
2	PULLEY, BRUSH DRIVE	0242276	1
3	SHAFT, ROLLER BRUSH	0248424	1
4	MOUNT, ROLLER BRUSH SHAFT- LEFT IDLER SIDE	0490372	1
5	MOUNT, ROLLER BRUSH SHAFT- DRIVE SIDE	0276938	1
6	BEARING INCRNT- 05/0- 20X2 (INCLUDES LOCKING COLLAR)	0303053	2
7	BEARING FLANGETTE- FOR 05/8" BEARING	0303054	4
8	BRUSH, OPEN COIL	0336142	1
9	V-BELT- SINGLE- 28" LG.	*0304200	1
10	BRACKET, ROLLER BRUSH SHAFT MOUNT- LEFT REAR	0488177	1
11	BRACKET, ROLLER BRUSH SHAFT MOUNT- LEFT FRONT	0288232	1
12	SCREW, HEX HEAD CAP- 3/8-16 x 1" LONG	0346249	8
13	NUT, LOCK- 3/8-16 NYLOCK	0338102	8
14	WASHER, FLAT- 3/8" SAE	0353113	8

*ITEMS & QUANTITIES SHOWN ARE FOR THIS SIDE ROLL ONLY.

*NOTE: Belt 0304200-N is factory-installed during production. Replacement orders: Continuous belt 0304200-N requires roll to be dropped for installation. Adjustable V-twist belt 0404195-N does not require roll to be dropped, but may require link adjustments to maintain proper tension.

REVISIONS		
REV	DESCRIPTION	DATE
A	CHANGED MOUNTING BRACKETS TO USE FLANGETTE STYLE BEARINGS.	11/15/16 R.R.J.
B	UPDATED ITEM #5	03/26/18 D.M.N.
C	PULLEYS CHANGED TO NOVA SPLIT STEEL TYPE.	3/4/20 R.R.J.
D	ITEM #10 & 11 CHANGED TO AVOID BREAKAGE.	6/15/21 R.R.J.

Correction date: 7/5/2022



NOTES:
-LEFT ROLL

PART OF WELDMENT#:	PART OF SUB-ASSY#:	DRAWN BY:	DATE:	USED ON: MACHINE #:	MODEL #:
--	--	SALSCO	5/21/15	0161370	OPTION, ROTARY BRUSH SYSTEM FOR 0009070 MODEL #HP11
MATERIAL SIZE				PART NAME	
SEE ITEM DESCRIPTIONS				ROTARY BRUSH SYSTEM	
QPA:				PART #:	REV:
1				0161370	SHEET 2 OF 2