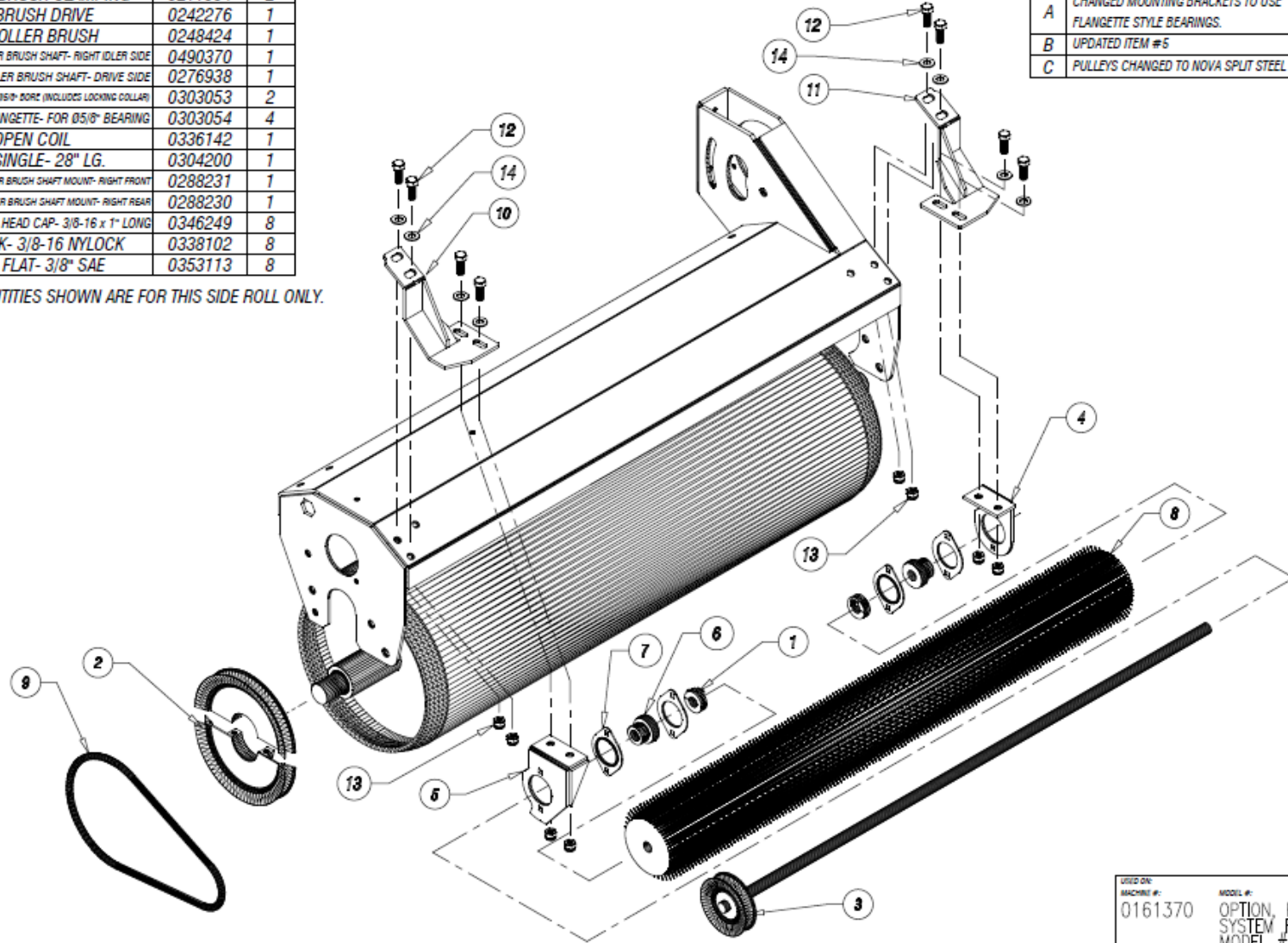


ITEM	DESCRIPTION	DWG NO	QTY
1	COLLAR, BRUSH CLAMPING	0211064	2
2	PULLEY, BRUSH DRIVE	0242276	1
3	SHAFT, ROLLER BRUSH	0248424	1
4	MOUNT, ROLLER BRUSH SHAFT- RIGHT IDLER SIDE	0490370	1
5	MOUNT, ROLLER BRUSH SHAFT- DRIVE SIDE	0276938	1
6	BEARING INSERT- 05/8" BORE (INCLUDES LOCKING COLLAR)	0303053	2
7	BEARING FLANGETTE- FOR 05/8" BEARING	0303054	4
8	BRUSH, OPEN COIL	0336142	1
9	V-BELT- SINGLE- 28" LG.	0304200	1
10	BRACKET, ROLLER BRUSH SHAFT MOUNT- RIGHT FRONT	0288231	1
11	BRACKET, ROLLER BRUSH SHAFT MOUNT- RIGHT REAR	0288230	1
12	SCREW, HEX HEAD CAP- 3/16-16 x 1" LONG	0346249	8
13	NUT, LOCK- 3/8-16 NYLOCK	0338102	8
14	WASHER, FLAT- 3/8" SAE	0353113	8

*ITEMS & QUANTITIES SHOWN ARE FOR THIS SIDE ROLL ONLY.



REVISIONS		
REV	DESCRIPTION	DATE
A	CHANGED MOUNTING BRACKETS TO USE FLANGETTE STYLE BEARINGS.	11/15/16 R.R.J.
B	UPDATED ITEM #5	03/26/18 D.M.N.
C	PULLEYS CHANGED TO NOVA SPLIT STEEL TYPE.	3/4/20 R.R.J.

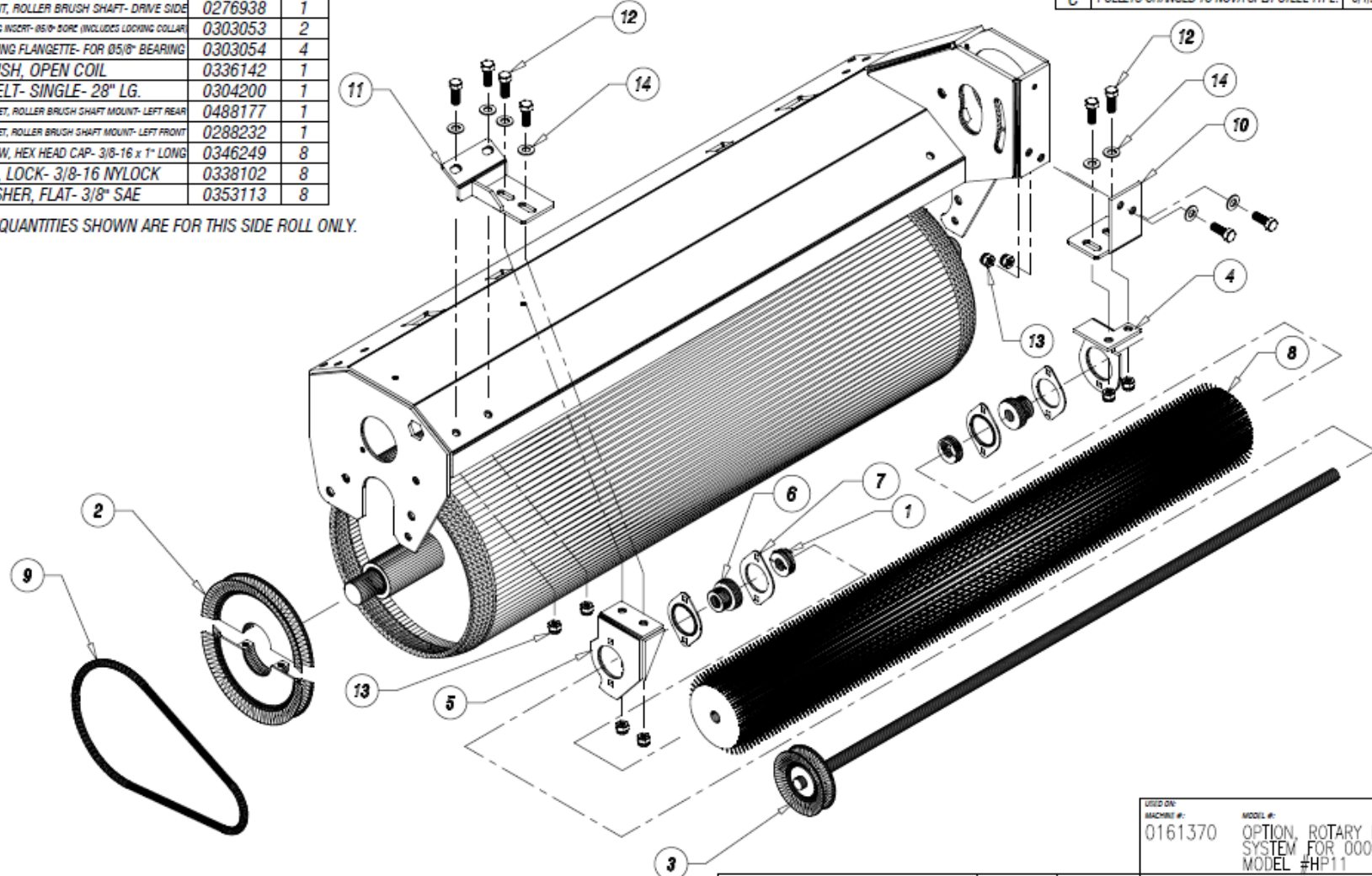
NOTES:
-RIGHT ROLL

PART OF WELDMENT#:		PART OF SUB-ASSY#:		DRAWN BY:	DATE:	USED ON:	MODEL #:
---		---		SALSCO	5/21/15	0161370	OPTION, ROTARY BRUSH SYSTEM FOR 0009070 MODEL #HP11
MATERIAL SIZE						PART NAME	
SEE ITEM DESCRIPTIONS						ROTARY BRUSH SYSTEM	
QTY:						PART #:	REV:
1						0161370	SHEET 1 OF 2 C

ITEM	DESCRIPTION	DWG NO	QTY
1	COLLAR, BRUSH CLAMPING	0211064	2
2	PULLEY, BRUSH DRIVE	0242276	1
3	SHAFT, ROLLER BRUSH	0248424	1
4	MOUNT, ROLLER BRUSH SHAFT- LEFT IDLER SIDE	0490372	1
5	MOUNT, ROLLER BRUSH SHAFT- DRIVE SIDE	0276938	1
6	SCARING INCRFT- 85/10- 50RZ (INCLUDES LOCKING COLLAR)	0303053	2
7	BEARING FLANGETTE- FOR 05/8" BEARING	0303054	4
8	BRUSH, OPEN COIL	0336142	1
9	V-BELT- SINGLE- 28" LG.	0304200	1
10	BRACKET, ROLLER BRUSH SHAFT MOUNT- LEFT REAR	0488177	1
11	BRACKET, ROLLER BRUSH SHAFT MOUNT- LEFT FRONT	0288232	1
12	SCREW, HEX HEAD CAP- 3/8-16 x 1" LONG	0346249	8
13	NUT, LOCK- 3/8-16 NYLOCK	0338102	8
14	WASHER, FLAT- 3/8" SAE	0353113	8

REVISIONS		
REV	DESCRIPTION	DATE
A	CHANGED MOUNTING BRACKETS TO USE FLANGETTE STYLE BEARINGS.	11/15/16 R.R.J.
B	UPDATED ITEM #5	03/26/18 D.M.N.
C	PULLEYS CHANGED TO NOVA SPLIT STEEL TYPE.	3/4/20 R.R.J.

*ITEMS & QUANTITIES SHOWN ARE FOR THIS SIDE ROLL ONLY.



NOTES:
-LEFT ROLL

PART OF WELDMENT#:		PART OF SUB-ASSY#:		DRAWN BY:	DATE:	USED ON: MACHINE #: 0161370 MODEL #: OPTION, ROTARY BRUSH SYSTEM FOR 0009070 MODEL #HP11
---		---		SALSCO	5/21/15	
MATERIAL SIZE				QPL:		PARTNAME ROTARY BRUSH SYSTEM
SEE ITEM DESCRIPTIONS				1		PART #: 0161370 SHEET 2 OF 2
						REV: C