

OPERATORS AND PARTS MANUAL SCORPION ROUTER



MANUFACTURER OF OUTDOOR POWER EQUIPMENT

Products for Turf & Lawn care, Rental, Construction, Tree care, Wood Processing, Nursery & Farm Industries

Other Salsco Equipment

3-1/2" - 18", Gas, Diesel, and P.T.O, Wood/Brush Chippers

Chipper Shredder Vacuum - Tailgate & Truckloader Vacuums up to 65 HP

Shaving Mills - Gas and Electric Greens Rollers

*Quality of Workmanship, Innovative
Design, Built to Last!*

105 School House Road
Cheshire, CT 06410 U.S.A.
800-872-5726, 203-271-1682, 203-271-2596 (Fax)
sales@salsco.com, www.salsco.com

TABLE OF CONTENTS
SCORPION PAVEMENT ROUTER

COVER & TABLE OF CONTENTS.....Pages 1 – 2

STATEMENT OF FACT Page 3

SPECIFICATIONS & FEATURESPage 4

MACHINE REGISTRATIONPage 5

SAFETY & OPERATING INSTRUCTIONSPages 6 - 7

SERVICE & MAINTENANCE INSTRUCTIONSPage 7

PARTS DIAGRAMSPages 8 - 9

TORQUE CHARTSPage 10

WARRANTY POLICY & PROCEDUREPage 11

COPY OF WARRANTY CLAIM FORM.....Page 12

COPY OF DEALER DELIVERY REPORT & WARRANTY CARD.....Page 13

SERVICE SCHEDULE LOGPage 14

SALSCO, INC.
105 School House Road
Cheshire, CT 06410 USA
800-872-5726, 203-271-1682
203-271-2596 (Fax)
www.salsco.com, sales@salsco.com

STATEMENT OF FACT

You have just purchased the highest quality, most dependable, crack router on the market today. This unit has the ability to meet exact standards and perform for years with minimum downtime. **HOWEVER**, it cannot read nor will it understand this manual no matter how long you leave it on top of the machine.

It is your responsibility to read and understand this manual; it is also your responsibility to be certain this information is passed along to anyone who is expected to operate this equipment. Should you choose not to read, understand and pass along the information provided you, please expect equipment failure and possible injuries to persons around this equipment.

For the safety of the operator, it is **imperative** that this manual is carefully read and understood.

Once you have read this manual, it is your responsibility to be sure that all new operators read and understand this manual, especially all cautions stated.

As a manufacturer of equipment, we have a responsibility to design a safe piece of equipment. **NOTE:** The important safeguards and instructions in this manual are not meant to cover all possible conditions and situations that may occur. It must be understood that common sense, caution, and care are factors, which cannot be built into any product. These factors must be supplied by the person(s) caring for and operating this equipment.

ONLY YOU CAN PREVENT ACCIDENTS!

SPECIFICATIONS AND FEATURES

The Salsco Pavement Router, like all of Salsco products, is ruggedly built to withstand high volume usage by the golf course, farmer, homeowner and tree care industries.

Standard equipment includes:

- Two casters at rear providing smoother maneuvering over rough terrain.
- Controls located on one convenient panel.
- Large pneumatic tires providing greater shock absorption.
- One piece tool shaft.
- Six sizes of bits available for a wider range of applications.
- Routing tool is easily installed and removed.

Engine Options include: 10.5 HP BRIGGS & STRATTON

DIMENSIONS:

Length - 44"

Width - 22"

Height - 39 1/2"

Shipping Weight Approximately 130 LBS.

Router Bits						
Part #	0205076	0205075	0205074	0205073	0205072	0205071
Size	1/4"	3/8"	1/2"	5/8"	3/4"	1"
Length	1 1/2"	1 1/2"	1 1/2"	1 1/2"	1 1/2"	1 1/2"

Bits are sized to fit joint or crack, resulting in excellent anchor points for sealant material adhesion. Depending upon aggregate, depth and width of cut required, production is estimated at 100-200 feet per hour.

**SIMPLE AND SAFE OPERATION, EASY TO MAINTAIN AND BUILT TO LAST;
SALSCO, SCORPION PAVEMENT ROUTER**

MACHINE REGISTRATION

MANUFACTURED BY:

SALSCO, INC.
105 School House Road
Cheshire, CT 06410

Tel: (203) 271-1682
(800) 872-5726
Fax: (203) 271-2596
Sales@salsco.com
www.salsco.com

THIS MANUAL COVERS Model (s): SCORPION PAVEMENT ROUTER

This company reserves the right to discontinue, add improvements to, or change the design of any model or product at any time without obligation to improve existing machines, either by changing the design or adding new parts.

It has been and will continue to be the policy of SALSCO to update existing machines at its own discretion. Whenever possible, new designs will be made in such a way that they can be "Retro Fit" if so desired.

Record in the space provided below the model and serial number of this unit. Please retain these numbers for future reference.

When placing parts orders, please have this information available. Part numbers are listed in this manual.

Serial Number

Model Number & Name

NOTE: BE SURE TO COMPLETE YOUR WARRANTY CARD AND RETURN A COPY TO SALSCO. THIS INSURES IMMEDIATE PROCESSING OF ANY WARRANTY CLAIMS.

READ AND UNDERSTAND THIS MANUAL BEFORE STARTING MACHINE

SAFETY PRECAUTIONS

THE FOLLOWING SAFETY PRECAUTIONS ARE SUGGESTED TO HELP PREVENT ACCIDENTS

A CAREFUL OPERATOR IS THE BEST OPERATOR. MOST ACCIDENTS CAN BE AVOIDED BY OBSERVING CERTAIN PRECAUTIONS. READ AND TAKE THE FOLLOWING PRECAUTIONS BEFORE OPERATING THIS ROUTER TO HELP PREVENT ACCIDENTS. EQUIPMENT SHOULD BE OPERATED ONLY BY THOSE WHO ARE RESPONSIBLE AND INSTRUCTED TO DO SO.

READ engine manual for proper fuel/oil levels, **BEFORE** starting engine!

READ operator's manual before operating this router.

ALWAYS use protective eyewear when machine is in operation.

ALL shields and guards **MUST** be in place before operating router.

DO NOT allow adults to operate the router without proper instructions. **KNOW** the controls and their functions prior to operation. **KNOW** how to shut off quickly.

DO NOT modify, alter or permit anyone else to alter or modify this router or any of its components or any function.

DO NOT allow children to operate the router.

DO NOT use unless the area of operation is clear of all persons, especially small children.

REPLACE safety warning and operating instruction decals when they become damaged.

DO NOT start router with bit or attachment touching ground.

NEVER leave the operator's position with the engine running.

DO NOT operate on severe slopes, hills or embankments.

DO NOT operate with faulty or missing muffler.

DO NOT operate gasoline engine indoors. Exhaust fumes can cause death.

ALWAYS keep people and pets a safe distance **AWAY** from machine.

ALWAYS shut engine off and disconnect spark plug wire before performing any maintenance.

CLEAN work area before using router.

HANDLE gasoline with **CARE**. It's highly flammable. Use only approved gasoline container.

DO NOT attempt to fill gas tank from fuel container unless the spout or funnel fits inside the fuel tank.

NEVER fill gas tanks indoors.

NEVER take the cap off or refuel while the engine is running or hot. Allow engine to cool for several minutes before refueling.

DO NOT fill tank to capacity. To avoid spillage when filling fuel tank, allow room for expansion. Wipe up any spills immediately.

DON'T smoke while refueling or anywhere near fuel.

DO NOT store, spill, or use gas near open flame.

ALWAYS replace missing fuel cap with approved replacement.

NEVER use gasoline to clean parts.

OPERATING INSTRUCTIONS

Portland or asphaltic cement concrete – Use a sharp tool at all times! A dull tool means lost production.

For routing of random cracks, it is necessary for the operator to pull the machine toward him/her, traveling in a backward direction, along the crack. This permits the operator to guide the bit through the most erratic path the crack may take. Any crack, no matter the width, is still the line of least resistance and the bit will follow it if allowed to do so.

In all operations, it is **MANDATORY** that the operator keep the machine in constant motion. If not kept in motion, the bit will drill a hole, making routing impossible.

Working in sections of about 4 ft., extend your arms on the router handle. While pulling the machine toward you, lower the bit slightly. Repeat in same location until desired depth is reached then move backward and repeat. **DO NOT** try to reach full depth in one pass. Once having opened up the crack, increase the depth and width by constant movement of the router back and forth.

MAINTENANCE

The SCORPION PAVEMENT ROUTER is designed to give the utmost in service with a minimum of breakdowns, but to do this, an inspection schedule by the operator must be used.

ENGINE – Daily

Check crankcase oil. Use and change in accordance with manufacturer instructions.

- Check fuel. Use a clean dry container and fresh fuel.
- Check and clean air filter.
- Check engine, exhaust, carburetor, etc. for secure attachment.

LUBRICATION

There are four (4) lubrication points on your Scorpion Router. One on each of the large wheels, and one on each of the bearings. Be sure that they are accepting grease and grease them every 25 hours.

BELTS

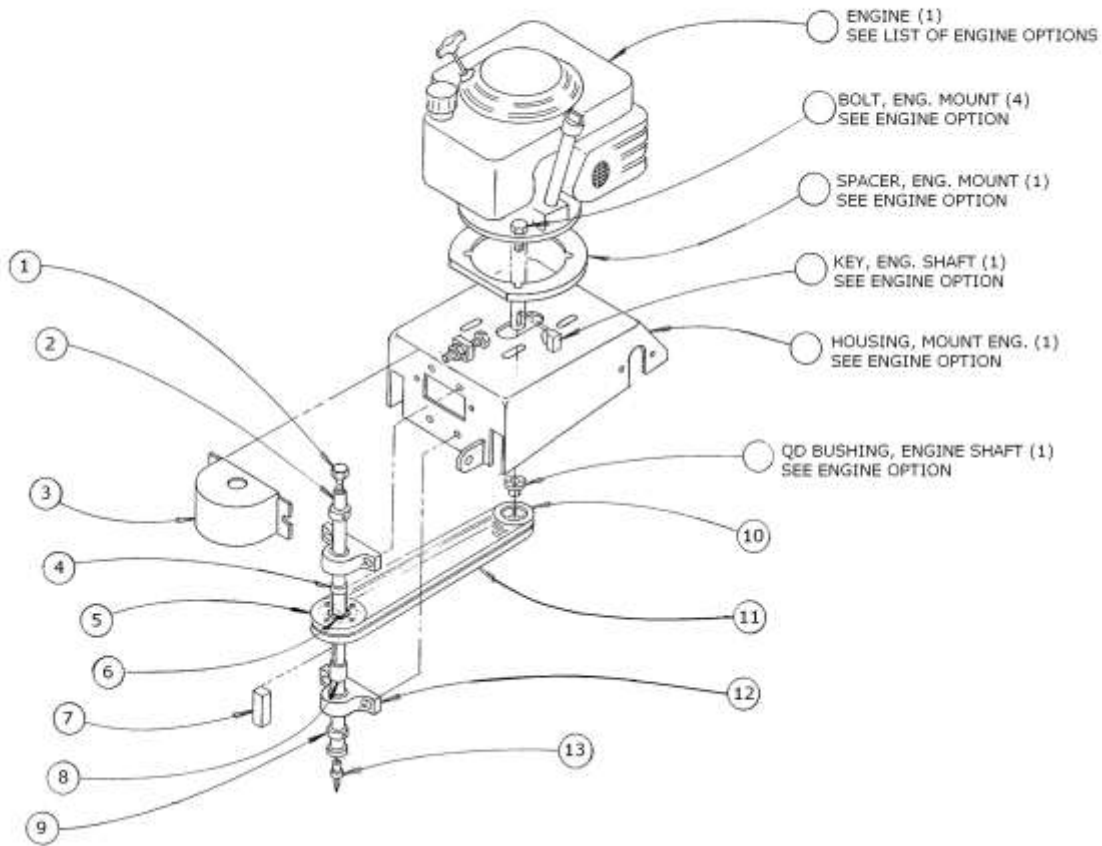
After three to four hours, or as conditions warrant from initial operation, check belts for proper adjustment and tension. Repeat same procedure again after every 25-hour interval.

The following steps are to be taken when adjusting belts:

1. Loosen motor mounting bolts.
2. Slide engine forward to desired belt tension.
3. Tighten motor mounting bolts.

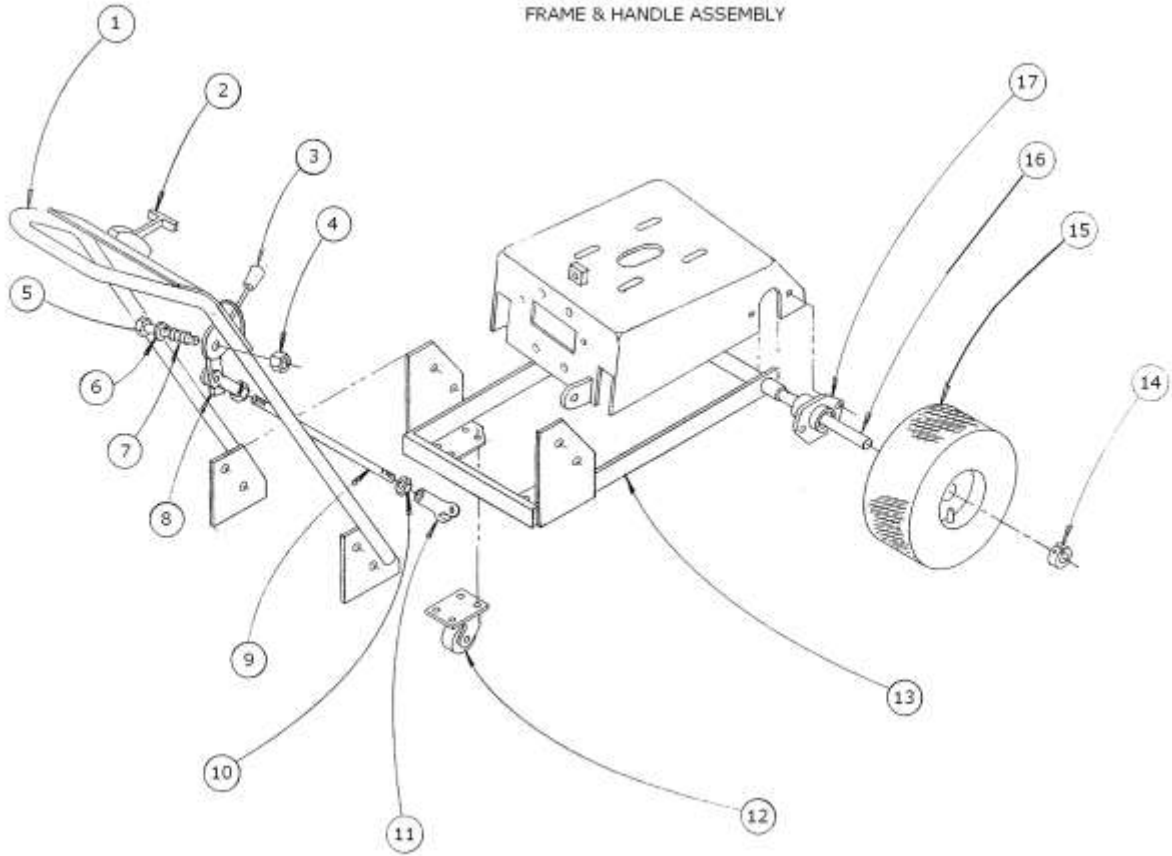
A LOOSE BELT CAN GREATLY REDUCE PRODUCTION

PAVEMENT ROUTER
SHAFT & ENGINE FRAME ASSEMBLY



<u>SHAFT & ENGINE FRAME ASSEMBLY</u>			
Item #	Description	Part #	Qty.
1	Tool Bolt	0346221	1
2	Tool Shaft	0448116	1
3	Guard, Pulley	0221203	1
4	Spacer, Upper	0449104	1
5	Pulley, Tool Shaft	0342098	1
6	QD Bushing, Tool Shaft	0342099	1
7	Key, Tool Shaft	0331112	1
8	Spacer, Lower	0449103	1
9	Collar, Set	0311008	2
10	Pulley, Engine	0342096	1
11	"V" Belt	0304065	2
12	Pillow Block	0303046	2
13	1/4" x 1-1/2" Carbide Tipped Router Bit	0205076	1
	3/8" x 1-1/2" Carbide Tipped Router Bit	0205075	1
	1/2" x 1-1/2" Carbide Tipped Router Bit	0205074	1
	5/8" x 1-1/2" Carbide Tipped Router Bit	0205073	1
	3/4" x 1-1/2" Carbide Tipped Router Bit	0205072	1
	1" x 1-1/2" Carbide Tipped Router Bit	0205071	1

PAVEMENT ROUTER
FRAME & HANDLE ASSEMBLY



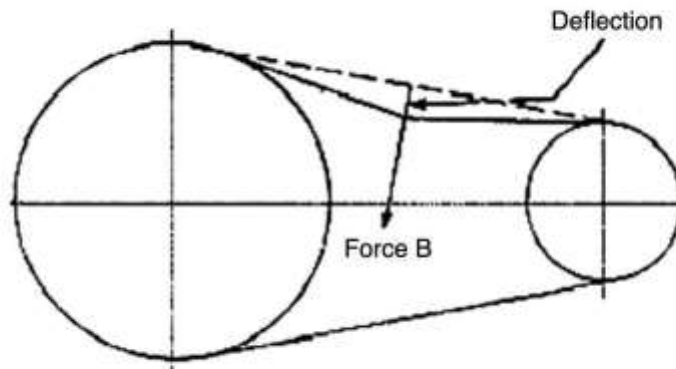
FRAME & HANDLE ASSEMBLY			
Item #	Description	Part #	Qty.
1	Handle Bar	0223062	1
2	Throttle Cable	0337174	1
3	Knob	0332018	1
4	Nut, Hex	0338101	1
5	Bolt	0346108	1
6	Washer, Flat	0353101	1
7	Spring, Compression	0350005	1
8	Handle, Height Adjuster	0223066	1
9	Rod, Height Adjuster	0445100	1
10	Jam Nut, Hex	0338059	2
11	Yoke, Adjustable	0374019	2
12	Caster Wheel	0354050	2
13	Frame, Engine/Axle	0219225	1
14	Collar, Split	0311021	2
15	Tire/Wheel Assembly	0354049	2
16	Axle, Wheels	0402057	1
17	Bracket, Axle	0206459	2

Below is a quick reference chart for various “Flat Head Cap Screws” and the torque recommendations.

VALUES ARE STATED IN FOOT POUNDS

BOLT SIZE	Thds Per Inch	SAE Grade 5	SAE Grade 8
1/4	20	10	14
	28	---	---
5/16	18	19	29
	24	---	---
3/8	16	33	47
	24	---	---
7/16	14	54	78
	20	---	---
1/2	13	78	119
	20	---	---
9/16	12	114	169
	18	---	---
5/8	11	154	230
	11	---	---
3/4	10	257	380
	10	---	---
7/8	9	382	600
	9	---	---
1	8	587	700
	8	---	---

Drive Belt Tension Measurement by Deflection



Deflection should be 3/8" when 8-12 lbs. push is applied at "B"

WARRANTY POLICY

Please remember to complete and return your Warranty Card and Dealer Delivery Report. Warranty Claims will not be considered if the Warranty Card and Dealer Delivery Report have not been returned to Salsco.

Your Salsco Commercial or Turf Equipment product is a commercial type product and is normally manufactured and sold for commercial or industrial use. **Salsco will, for the original purchaser, for one (1) year from the date of purchase (90 days if used for rental purposes) repair or replace, free of charge, any SALSCO part or parts found to be defective in material, workmanship or both.** Any transportation or shipping charges will be borne by the purchaser. If, during the warranty period stated above, the product does not function properly due to defect, simply contact Salsco and follow the Warranty Procedures included in this manual.

This warranty **does not** include:

- Incidental or consequential damages and is exclusive of any implied warranties.
- Normal maintenance parts, including, but not limited to hoses, chains, belts, filters, lubricants, etc.
- Parts or components, which are covered under the original manufacturer warranty, including, but not limited to engines, pumps, and motors.

WARRANTY PROCEDURE

In order for Salsco to consider your warranty claims in a timely manner you must follow the simple procedures listed below:

MACHINE OR PART FAILURE

- Call our service department for helpful instruction on how to correct or repair the problem. Preventive maintenance will also be suggested.
- When ordering parts for Warranty issues, you **MUST** retain possession of the old parts in question until notified with respect to returning the parts to Salsco or other disposition.
- Warranty Claims **MUST** be filed within 30-days from completion of the work performed. Contact our office for an electronic warranty claim form.
- Fill in all information requested on warranty claim form, a copy of which is included in this manual, (date of purchase, company name, address, etc.). List all parts used. Make sure part numbers are correct. You can obtain these from your manual. (include good description of problem; i.e. "leaking from spool" rather than "leaking").
- It is our goal to consider and reach a disposition on each Warranty Claim within 30-days from the date that it is received. Therefore it is important that you respond promptly to any request for further information. Claims with no response to inquiries will be closed as "**denied for lack of response**" 90-days from the date of request.
- Email, Fax or Send Warranty Claim form to our Warranty Department. – **Warranty on parts most often requires return of the parts that were replaced.** DO NOT DISCARD OLD PARTS UNTIL YOU HAVE RECEIVED A DETERMINATION AS TO WHETHER THESE PARTS MUST BE RETURNED.
- Our Warranty Department will contact and instruct you on how to return the Parts to Salsco on an RA #. Returns **MUST** be made within 30-Days from issuance of RA #. **FREIGHT CHARGES ON RETURN OF PARTS IS THE RESPONSIBILITY OF THE CUSTOMER.** Normal pre-delivery adjustments are not covered under warranty. Labor Warranties are based on reasonable time allowances as determined by Salsco, Inc. and paid at 75% of posted labor rate. **TRAVEL TIME IS NOT REIMBURSED UNDER THE WARRANTY POLICY.**
- Be sure to put the RA form inside the box that you are shipping back, also be sure to put on the outside of the box "Return of Goods" and the RA #.
- Ship returns via a traceable method such as UPS Ground Service. Be sure that the shipment is insured for the appropriate value. If uninsured parts are lost, we cannot issue a credit.

PLEASE NOTE: *Warranty forms should be filled out completely.*

PREVENTIVE MAINTENANCE IS YOUR BEST INSURANCE AGAINST EQUIPMENT FAILURE. BE SURE TO READ THIS MANUAL, ESPECIALLY THE MAINTENANCE, OPERATING AND CAUTION SECTIONS.

**SALSCO, INC., 105 School House Rd.
Cheshire, CT 06410
800-872-5726, 203-271-1682
203-271-2596 (Fax)
sales@salsco.com, www.salsco.com**

WARRANTY CLAIM FORM

SALSCO, INC.
105 School House Rd.
Cheshire, CT 06410

Phone:(203) 271-1682,(800) 872-5726
Fax: (203) 271-2596
Email: s.clark@salsco.com
Website: www.salsco.com

END OWNER

Date Submitted:

Name:	Phone:	Work Order #:
Email:	Fax:	Office Use Only
Address:		Date Rec'd
		Cust ID:
		Salsco WC
		Salsco RA

PURCHASED FROM

Name:	Phone:	Date Approved:
Email:	Fax:	Date Rejected:
Address:		Processed By:
		Dir. Del Report on File: YES NO
		Warranty Card on File: YES NO
		Part(s) Total:
		Labor Total:

Equipment/Warranty Information (Must be complete)

Purchase Date:	Invoice #	Date Failed:	Total Approved:
Model #:	Serial #:	Repair Date:	Approved/Rejected:
Hrs Used:	Primary Use:		Name:
Warranty Claim/Work Order#:			Reason for Rejection:
Was a Salsco Return Authorization # issued for repairs or Return of Parts? YES NO			Suggested Preventative Maint:
Probable Cause of Failure:			

Work Performed/Comments on Repair:

Shop Labor Rate:						Submitted By:		
Total Labor Hours to Repair:						Printed Name:		
Parts Required for repair								
Salsco Part #: Description:					Qty.	Price Each	Total	Inv #
							\$	
							\$	
							\$	
							\$	

Fill in all information requested on warranty claim form.
INCOMPLETE FORMS CANNOT BE PROCESSED & WILL BE RETURNED
List all parts used. Make sure part numbers are correct. Any parts that you believe to be defective or any parts that break should be retained for possible inspection until after the warranty has been paid or part has been replaced.

Salsco, Inc.		105 School House Rd. Cheshire, CT 06410 203-271-1682		sales@salsco.com www.salsco.com	
800-872-5726 203-271-2596 (Fax)		DEALER DELIVERY REPORT			
MODEL _____			SERIAL NO _____		
DEALER _____		CITY _____	STATE _____	ZIP _____	
PURCHASER (Last Name or Company) _____	(First Name) _____	(Middle Name) _____	ADDRESS _____	CITY _____	STATE _____ ZIP _____
<p>The undersigned dealer warrants that the above-described machine was carefully inspected, adjusted and prepared for delivery before delivery to the purchaser; that both the operation and maintenance of the machine were explained to the purchaser; and that a copy of the Owner's Instruction Manual were given to the purchaser and his attention called to Our Warranty and any operating instructions included in the manual and caution notes.</p>			<p>The undersigned purchaser certifies that the operation and maintenance of the above-described machine have been explained to him; acknowledges receipt of a copy of the Owners's Instruction Manual and Our Warranty Policy printed in said Instruction Manual and Caution Notes. I also understand that it is my responsibility to explain and make Salsco manuals available to new operators.</p>		
Date _____ Dealer _____		Date _____ Purchaser _____			
Sign By _____		Sign By _____			
Phone _____		Phone _____			
		Email _____			
FACTORY COPY WHITE - DEALER'S COPY YELLOW - OWNER'S COPY PINK					

SERIAL # _____	MODEL NO. _____
SALSCO LIMITED WARRANTY CARD	
1. DATE PURCHASED: _____	
2. PURCHASER: _____	
3. PURCHASER ADDRESS: _____ _____	
4. EMAIL ADDRESS: _____	
5. DEALER: _____	
6. DEALER ADDRESS: _____	
7. WILL THIS EQUIPMENT BE USED COMMERCIALY? <input type="checkbox"/> YES <input type="checkbox"/> NO	
8. DID DEALER SERVICE THIS EQUIPMENT AND INSTRUCT YOU IN ITS CARE AND SAFE OPERATION ? <input type="checkbox"/> YES <input type="checkbox"/> NO	
9. DID YOU RECEIVE AN "OPERATION & SERVICE MANUAL" AND SAFETY PAMPHLET? <input type="checkbox"/> YES <input type="checkbox"/> NO	
NOTICE	SIGNED _____ Purchaser
IMPORTANT: THIS CARD MUST BE FILLED OUT COMPLETELY AND MAILED TO THE FACTORY WITHIN 10 DAYS OF PURCHASE DATE, OR YOUR LIMITED WARRANTY WILL BE VOIDED.	
WHITE - DEALER	YELLOW - OWNER
CARD - FACTORY	

