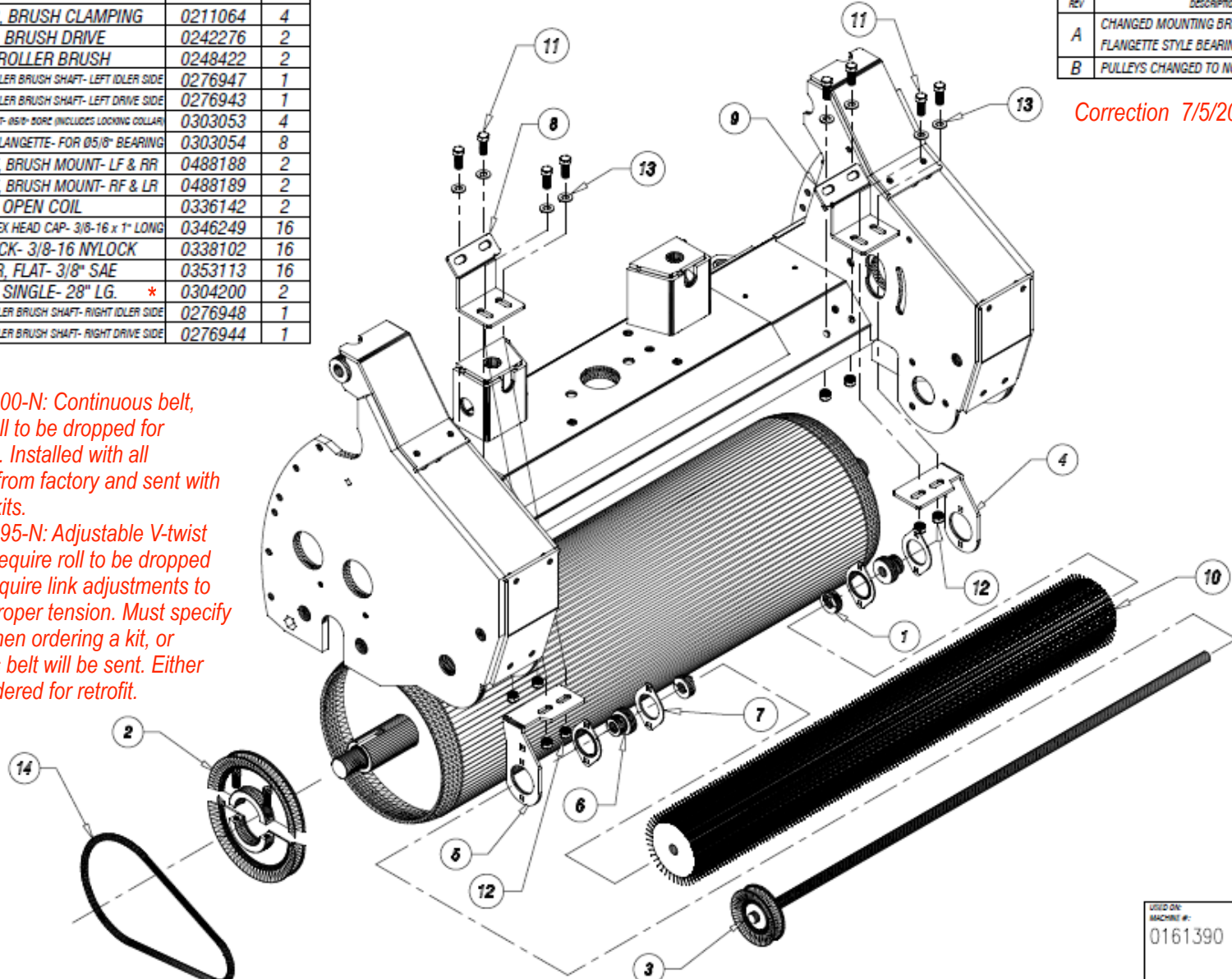


ITEM	DESCRIPTION	DWG NO	QTY
1	COLLAR, BRUSH CLAMPING	0211064	4
2	PULLEY, BRUSH DRIVE	0242276	2
3	SHAFT, ROLLER BRUSH	0248422	2
4	MOUNT, ROLLER BRUSH SHAFT- LEFT IDLER SIDE	0276947	1
5	MOUNT, ROLLER BRUSH SHAFT- LEFT DRIVE SIDE	0276943	1
6	BEARING INSERT- Ø5/8" BORE (INCLUDES LOCKING COLLAR)	0303053	4
7	BEARING FLANGETTE- FOR Ø5/8" BEARING	0303054	8
8	BRACKET, BRUSH MOUNT- LF & RR	0488188	2
9	BRACKET, BRUSH MOUNT- RF & LR	0488189	2
10	BRUSH, OPEN COIL	0336142	2
11	SCREW, HEX HEAD CAP- 3/8-16 x 1" LONG	0346249	16
12	NUT, LOCK- 3/8-16 NYLOCK	0338102	16
13	WASHER, FLAT- 3/8" SAE	0353113	16
14	V-BELT- SINGLE- 28" LG. *	0304200	2
15	MOUNT, ROLLER BRUSH SHAFT- RIGHT IDLER SIDE	0276948	1
16	MOUNT, ROLLER BRUSH SHAFT- RIGHT DRIVE SIDE	0276944	1

*** NOTE:**

Belt 0304200-N: Continuous belt, requires roll to be dropped for installation. Installed with all machines from factory and sent with all retrofit kits.

Belt 0404195-N: Adjustable V-twist belt does require roll to be dropped but may require link adjustments to maintain proper tension. Must specify this belt when ordering a kit, or continuous belt will be sent. Either may be ordered for retrofit.



REVISIONS		
REV	DESCRIPTION	DATE
A	CHANGED MOUNTING BRACKETS TO USE FLANGETTE STYLE BEARINGS.	11/17/16 R.R.J.
B	PULLEYS CHANGED TO NOVA SPLIT STEEL TYPE.	3/4/20 R.R.J.

Correction 7/5/2022

NOTES:

- LEFT ROLL
- ITEM #s 15 & 16 ARE MIRRORED VERSIONS OF ITEM #s 4 & 5 FOR THE OPPOSITE (RIGHT) ROLL.

PART OF WELDMENT#:		PART OF SUB-ASSY#:		DRAWN BY:	DATE:	USED ON:	MODEL #:
---		---		SALSCO	6/22/15	0161390	OPTION, ROTARY BRUSH SYSTEM FOR 0009100 #HP11-WT(ROLL-N-GO)
MATERIAL SIZE						PART NAME	
SEE ITEM DESCRIPTIONS						ROTARY BRUSH SYSTEM	
QPL:						REV. #:	
2						0161390	B