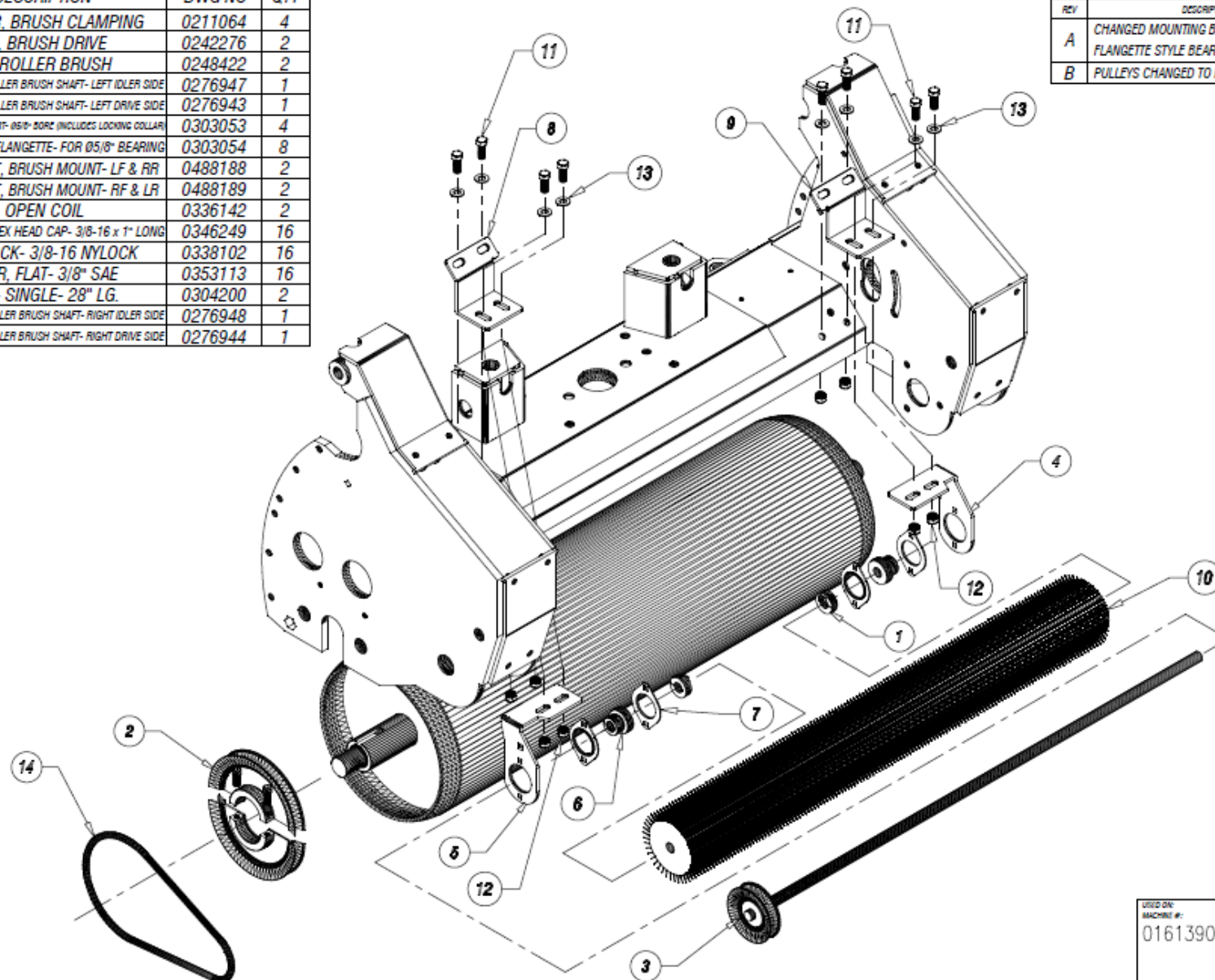


ITEM	DESCRIPTION	DWG NO	QTY
1	COLLAR, BRUSH CLAMPING	0211064	4
2	PULLEY, BRUSH DRIVE	0242276	2
3	SHAFT, ROLLER BRUSH	0248422	2
4	MOUNT, ROLLER BRUSH SHAFT- LEFT IDLER SIDE	0276947	1
5	MOUNT, ROLLER BRUSH SHAFT- LEFT DRIVE SIDE	0276943	1
6	BEARING INSERT- Ø5/8" BORE (INCLUDES LOCKING COLLAR)	0303053	4
7	BEARING FLANGETTE- FOR Ø5/8" BEARING	0303054	8
8	BRACKET, BRUSH MOUNT- LF & RR	0488188	2
9	BRACKET, BRUSH MOUNT- RF & LR	0488189	2
10	BRUSH, OPEN COIL	0336142	2
11	SCREW, HEX HEAD CAP- 3/8-16 x 1" LONG	0346249	16
12	NUT, LOCK- 3/8-16 NYLOCK	0338102	16
13	WASHER, FLAT- 3/8" SAE	0353113	16
14	V-BELT- SINGLE- 28" LG.	0304200	2
15	MOUNT, ROLLER BRUSH SHAFT- RIGHT IDLER SIDE	0276948	1
16	MOUNT, ROLLER BRUSH SHAFT- RIGHT DRIVE SIDE	0276944	1

REVISIONS		
REV	DESCRIPTION	DATE
A	CHANGED MOUNTING BRACKETS TO USE FLANGETTE STYLE BEARINGS.	11/17/16 R.R.J.
B	PULLEYS CHANGED TO NOVA SPLIT STEEL TYPE.	3/4/20 R.R.J.



NOTES:

-LEFT ROLL

-ITEM #s 15 & 16 ARE MIRRORED VERSIONS OF ITEM #s 4 & 5 FOR THE OPPOSITE (RIGHT) ROLL.

PART OF WELDMENT#:	PART OF SUB-ASSY#:	DRAWN BY:	DATE:	USED ON: MACHINE #:	MODEL #:
--	--	SALSCO	6/22/15	0161390	OPTION, ROTARY BRUSH SYSTEM FOR 0009100 #HP11-WT(ROLL-N-GO)
MATERIAL SIZE				QPL:	PART NAME
SEE ITEM DESCRIPTIONS				2	ROTARY BRUSH SYSTEM
PART #:					REV.:
0161390					B

SALSCO NOVA