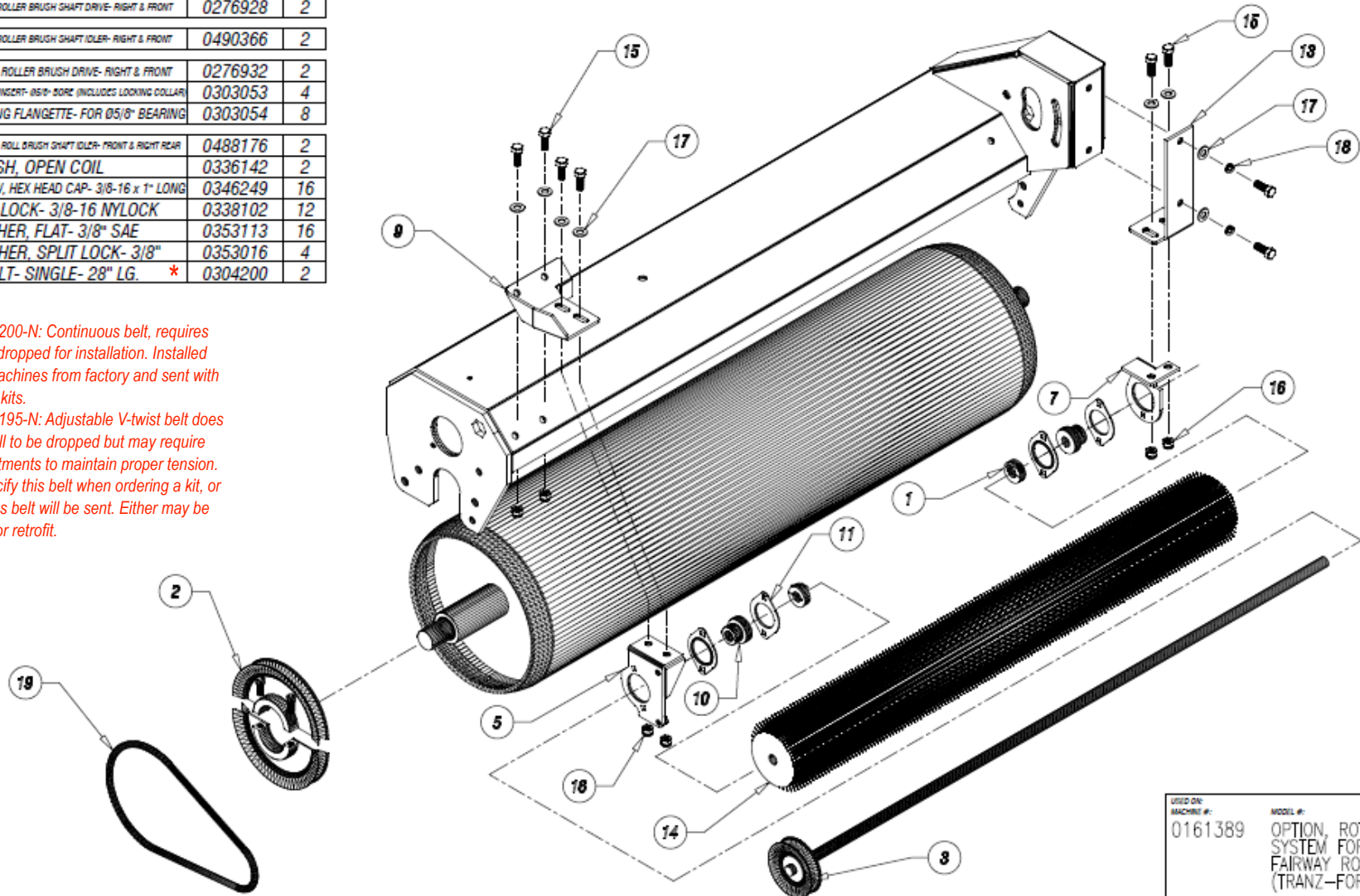


ITEM	DESCRIPTION	DWG NO	QTY
1	COLLAR, BRUSH CLAMPING	0211064	4
2	PULLEY, BRUSH DRIVE	0242276	2
3	SHAFT, ROLLER BRUSH	0248421	2
5	MOUNT, ROLLER BRUSH SHAFT DRIVE- RIGHT & FRONT	0276928	2
7	MOUNT, ROLLER BRUSH SHAFT IDLER- RIGHT & FRONT	0490366	2
9	MOUNT, ROLLER BRUSH DRIVE- RIGHT & FRONT	0276932	2
10	BEARING INSERT- 05/16" BORE (INCLUDES LOCKING COLLAR)	0303053	4
11	BEARING FLANGETTE- FOR 05/16" BEARING	0303054	8
13	BRACKET, ROLL BRUSH SHAFT IDLER- FRONT & RIGHT REAR	0488176	2
14	BRUSH, OPEN COIL	0336142	2
15	SCREW, HEX HEAD CAP- 3/8-16 x 1" LONG	0346249	16
16	NUT, LOCK- 3/8-16 NYLOCK	0338102	12
17	WASHER, FLAT- 3/8" SAE	0353113	16
18	WASHER, SPLIT LOCK- 3/8"	0353016	4
19	V-BELT- SINGLE- 28" LG. *	0304200	2

Correction 7-5-2022

REVISIONS		
REV	DESCRIPTION	DATE
A	CHANGED MOUNTING BRACKETS TO USE FLANGETTE STYLE BEARINGS.	11/16/16 R.R.J.
B	PULLEYS CHANGED TO NOVA SPLIT STEEL TYPE.	3/4/20 R.R.J.



*** NOTE:**

Belt 0304200-N: Continuous belt, requires roll to be dropped for installation. Installed with all machines from factory and sent with all retrofit kits.

Belt 0404195-N: Adjustable V-twist belt does require roll to be dropped but may require link adjustments to maintain proper tension. Must specify this belt when ordering a kit, or continuous belt will be sent. Either may be ordered for retrofit.

NOTES:

-RIGHT REAR AND FRONT ROLL

USED ON: MACHINE #:	MODEL #:
0161389	OPTION, ROTARY BRUSH SYSTEM FOR 0009090 FAIRWAY ROLLER (TRANZ-FORMER)

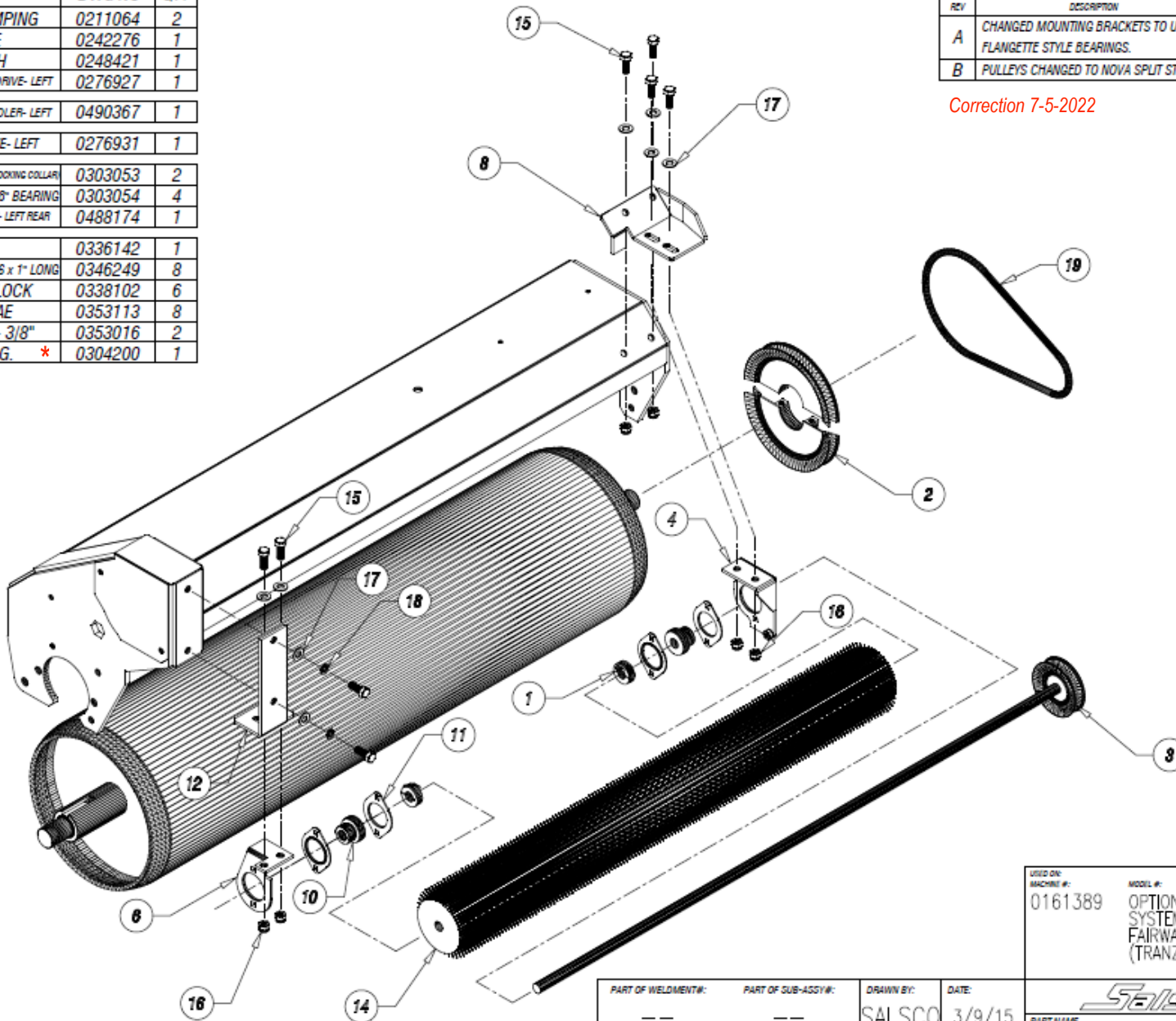
PART OF WELDMENT#:	PART OF SUB-ASSY#:	DRAWN BY:	DATE:	 ROTARY BRUSH SYSTEM
---	---	SALSCO	3/9/15	
MATERIAL SIZE			QPL:	PART #:
SEE ITEM DESCRIPTIONS			2	0161389
				REV: B

ITEM	DESCRIPTION	DWG NO	QTY
1	COLLAR, BRUSH CLAMPING	0211064	2
2	PULLEY, BRUSH DRIVE	0242276	1
3	SHAFT, ROLLER BRUSH	0248421	1
4	MOUNT, ROLLER BRUSH SHAFT DRIVE- LEFT	0276927	1
6	MOUNT, ROLLER BRUSH SHAFT IDLER- LEFT	0490367	1
8	MOUNT, ROLLER BRUSH DRIVE- LEFT	0276931	1
10	BEARING INSERT- 05/8" BORE (INCLUDES LOCKING COLLAR)	0303053	2
11	BEARING FLANGETTE- FOR 05/8" BEARING	0303054	4
12	BRACKET, ROLL BRUSH SHAFT IDLER- LEFT REAR	0488174	1
14	BRUSH, OPEN COIL	0336142	1
15	SCREW, HEX HEAD CAP- 3/8-16 x 1" LONG	0346249	8
16	NUT, LOCK- 3/8-16 NYLOCK	0338102	6
17	WASHER, FLAT- 3/8" SAE	0353113	8
18	WASHER, SPLIT LOCK- 3/8"	0353016	2
19	V-BELT- SINGLE- 28" LG. *	0304200	1

*** NOTE:**

Belt 0304200-N: Continuous belt, requires roll to be dropped for installation. Installed with all machines from factory and sent with all retrofit kits.

Belt 0404195-N: Adjustable V-twist belt does require roll to be dropped but may require link adjustments to maintain proper tension. Must specify this belt when ordering a kit, or continuous belt will be sent. Either may be ordered for retrofit.



Correction 7-5-2022

REVISIONS		
REV	DESCRIPTION	DATE
A	CHANGED MOUNTING BRACKETS TO USE FLANGETTE STYLE BEARINGS.	11/16/16 R.R.J.
B	PULLEYS CHANGED TO NOVA SPLIT STEEL TYPE.	3/4/20 R.R.J.

NOTES:

-LEFT REAR ROLL

USED ON:
MACHINE #: 0161389
MODEL #: OPTION, ROTARY BRUSH SYSTEM FOR 0009090 FAIRWAY ROLLER (TRANZ-FORMER)

PART OF WELDMENT#:	PART OF SUB-ASSY#:	DRAWN BY:	DATE:
--	--	SALSCO	3/9/15
MATERIAL SIZE			QTY:
SEE ITEM DESCRIPTIONS			1
PART NAME			REV:
ROTARY BRUSH SYSTEM			B
PART #:			SHEET 2 OF 2
0161389			