

**OPERATORS AND PARTS MANUAL  
MODEL(S) 720/725 TRUCKLOADER VACUUMS**



---

**MANUFACTURER OF OUTDOOR POWER EQUIPMENT**

Products for Turf & Lawncare, Rental Construction, Tree Care, Wood Processing, Nursery & Farm Industries

*Other Salsco Equipment:*

**3-1/2" - 18", Gas, Diesel, and P.T.O. Wood/Brush Chippers**

**Chipper Shredder Vacuum - Tailgate & Truckloader Vacuums, Strawblowers, Slicer Seeders**

**Shaving Mills - Gas & Electric Greens Rollers**

***Quality of Workmanship, Innovative  
Design, Built to Last!***

105 School House Road  
Cheshire, CT 06410 U.S.A.  
800-872-5726, 203-271-1682, 203-271-2596 (Fax)  
sales@salsco.com, www.salsco.com

## **TABLE OF CONTENTS**

### **MODELS 720/725 TRUCKLOADER LEAF VACUUMS**

COVER & TABLE OF CONTENTS.....	Pages 1 – 2
STATEMENT OF FACT .....	Page 3
SPECIFICATIONS & FEATURES .....	Page 4
MACHINE REGISTRATION .....	Page 5
SAFETY & OPERATING INSTRUCTIONS .....	Pages 6-7
SERVICE & MAINTENANCE INSTRUCTIONS .....	Page 7
PARTS DIAGRAMS .....	Pages 8-9
TORQUE CHARTS .....	Page 10
WARRANTY POLICY/PROCEDURE .....	Page 11
COPY OF WARRANTY CLAIM FORM.....	Page 12
COPY OF DEALER DELIVERY REPORT AND WARRANTY CARD.....	Page 13
SERVICE SCHEDULE LOG .....	Page 14

SALSCO, INC.  
105 School House Road  
Cheshire, CT 06410  
800-872-5726, 203-271-1682  
203-271-2596 (Fax)  
[www.salsco.com](http://www.salsco.com), [sales@salsco.com](mailto:sales@salsco.com)

## **STATEMENT OF FACT**

You have just purchased the highest quality, most dependable, Truckloader Leaf Vacuum, on the market today. This unit has the ability to meet exact standards and perform for years with minimum downtime. HOWEVER, it cannot read nor will it understand this manual no matter how long you leave it on top of the machine.

**It is your responsibility** to read and understand this manual; it is also your responsibility to be certain this information is passed along to anyone who is expected to operate this equipment. Should you choose not to read, understand and pass along the information provided you, please expect equipment failure and possible injuries to persons around this equipment.

For the safety of the operator, it is **imperative** that this manual is carefully read and understood.

Once you have read this manual, it is your responsibility to be sure that all new operators read and understand this manual, especially all cautions stated.

As a manufacturer of equipment, we have a responsibility to design a safe piece of equipment. NOTE: The important safeguards and instructions in this manual are not meant to cover all possible conditions and situations that may occur. It must be understood that common sense, caution, and care are factors, which cannot be built into any product. These factors must be supplied by the person(s) caring for and operating this equipment.

**ONLY YOU CAN PREVENT ACCIDENTS!!**

## **SPECIFICATIONS & FEATURES**

### **Models 720/725 Truckloader Leaf Vacuum**

1. **MODEL 720** (20hp Kohler), **MODEL 725** (25hp Kohler) – These units are the workhorses of the leaf vacuum industry.
2. **10' x 12" INLET HOSE** – This is a heavy-duty neoprene hose with wear strips, light weight, yet durable.
3. **8" EXHAUST** – is more than large enough to allow all debris to pass through without backup or clogging.
4. **FUEL TANK** – 6.6-gallon capacity, Polyethylene marine type, auxiliary gas tank.
5. **HEAVY DUTY DIAMOND PLATE FENDERS** – Will not vibrate and crack while being towed. Also, they will not bend, should someone sit or stand on them.
6. **TAIL LIGHT PROTECTORS** – Steel guards which house the tail lights and protect against breakage.
7. **TURN AND STOP LIGHTS** – Are standard and come wired and ready to plug in.
8. **HEAVY DUTY RECTANGULAR STEEL FRAME** – Allows for years of service without fear of bending or cracking.
9. **TIRES – F78-14ST TUBELESS. 6 PLY x 26"** – This large tire is standard for these units and will give years of service.
10. **POWDER COATED BAKED ENAMEL FINISH** – Keeps the machine looking good for years to come.
11. **FULL SAFETY AND OPERATIONAL DECAL PACKAGE.**

**MACHINE REGISTRATION**

MANUFACTURED BY: SALSCO, INC.  
105 School House Rd., Cheshire, CT 06410  
800-872-5726, 203-271-1682, 203-271-2596 (Fax)  
[sales@salsco.com](mailto:sales@salsco.com) [www.salsco.com](http://www.salsco.com)

THIS MANUAL COVERS MODEL (s): 720 & 725 TRUCKLOADER VACUUMS:

This company reserves the right to discontinue, add improvements to, or change the design of any model or product at any time without obligation to improve existing machines, either by changing the design or adding new parts.

It has been and will continue to be the policy of SALSCO to update existing machines at its own discretion. Whenever possible, new designs will be made in such a way that they can be "Retro Fit" if so desired.

Record in the space provided below the model and serial number of this unit. Please retain these numbers for future reference.

No parts orders will be accepted **WITHOUT MODEL NUMBERS OR PART NUMBERS**. All part numbers are listed in this manual.

\_\_\_\_\_

Serial Number

\_\_\_\_\_

Model Number

NOTE: Be sure to complete your warranty card. This will insure immediate processing of any warranty claims.

**READ AND UNDERSTAND THIS MANUAL BEFORE STARTING THE MACHINE**

## **SAFETY INSTRUCTIONS**

BEFORE YOU START THIS MACHINE:

1. **READ** and **UNDERSTAND** this owner's manual.
2. **DO NOT** run machine without guards and other safety covers in place.
3. **NEVER** leave machine running while unattended.
4. **NEVER** reach under or into machine for any reason while machine is running as it can cause serious injury.
5. **ALWAYS** remove spark plug wire, **MAKE SURE** engine is off, throttle is in stop position, and shut gas off when working on or checking inside machine.
6. **NEVER** clean inlet tube or outlet tubes while engine is running.
7. **EYE PROTECTION** should **ALWAYS BE WORN** when running machine.
8. **BE SURE** air intake on engine is clear of leaves and debris.
9. **DO NOT** remove caution decals.
10. Safety decals should be replaced immediately after repainting or when they become illegible. Safety is a prime concern at Salsco and the safety decals on your machine are a highly visible and constant reminder to all operators. Replacement safety decals may be obtained from your local dealer or by calling Salsco at (203) 271-1682 or 1-800-872-5726.

## **OPERATING INSTRUCTIONS**

1. **READ MANUAL THOROUGHLY!**
2. **BE SURE** intake hose is connected to blower housing. **NEVER RUN UNIT WITH INTAKE HOSE DISCONNECTED.**
3. Place inlet hose on ground near pile of debris.
4. Before starting motor, **make sure everyone is clear of machine** and **discharge chute is pointing in the correct position**. Start the motor, and let it idle until engine warms up (see engine manual provided)
5. Bring up to full R.P.M. slowly, **checking for vibration.**
6. You can either move the inlet hose by hand or blow leaves to the inlet tube. It will pick up most of the pile by itself.

**CAUTION: BE CAREFUL NOT TO PICK UP ROCKS, BOTTLES, ETC., AS THIS COULD RESULT IN DAMAGE TO THE UNIT AND INJURY TO THE OPERATOR.**

## SAFETY DECALS

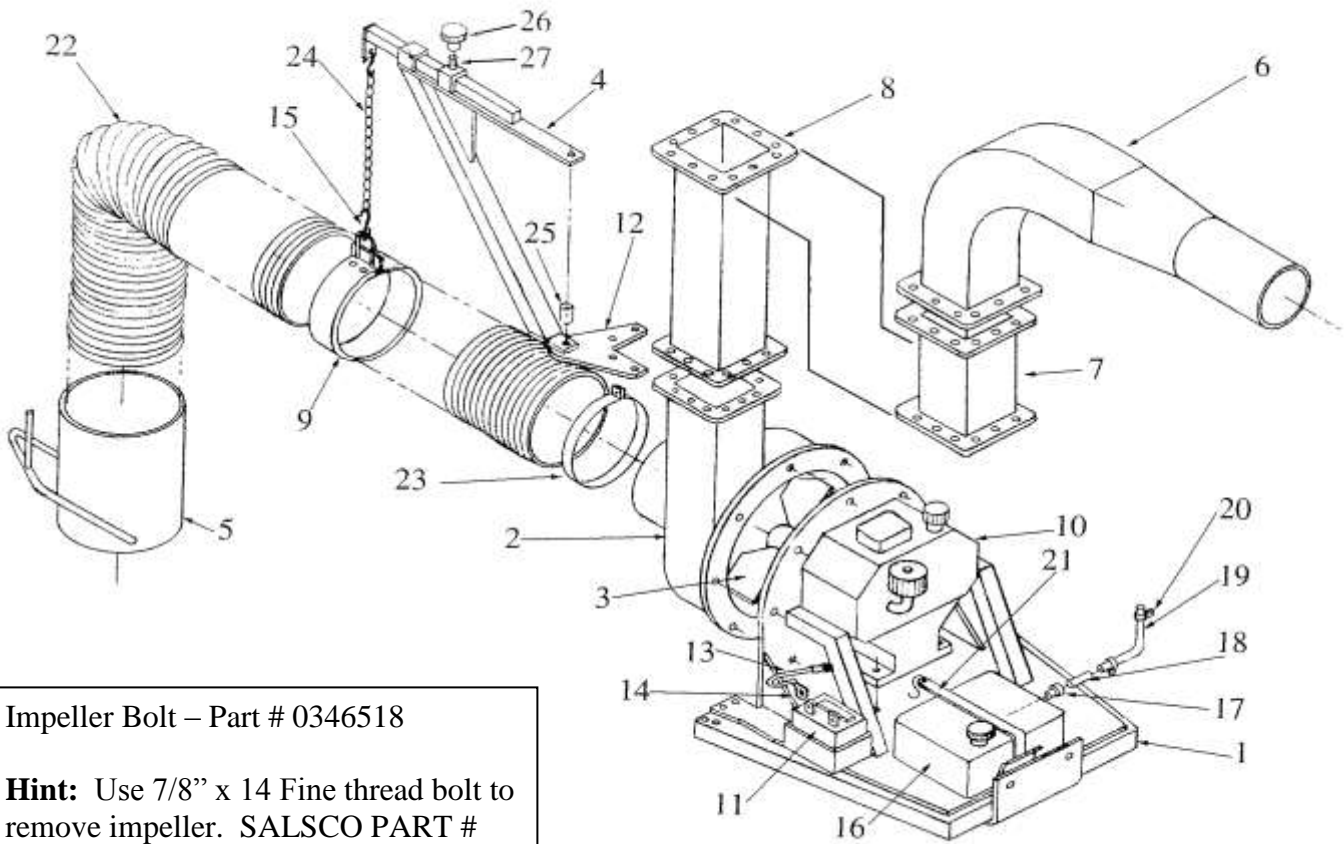


### ADJUSTING CLAMP TO FIT TAILGATE

1. Remove two bolts on each arm.
2. Adjust for approximate length on both sides to fit tailgate.
3. Reinsert two bolts on each arm.
4. Press each clamp lever into lowest position.
5. Lock each lever by tightening the knob.
6. Lower the safety lock on each side.
7. Tighten knob to secure lock in place.

<b>SERVICE &amp; MAINTENANCE SCHEDULE</b>	
Check Engine Oil (See Engine Manual)	Daily
Check Vibrations	Daily
Check for Torn or Damaged Hose	Daily
Visually Check for Loose Bolts or Damage	Daily
Clean Machine	Daily
Check Tires (Trailer Units)	Daily
Check Battery for Water & Electrical Connections	Weekly

# TRUCKLOADER VACUUM FRAME ASSEMBLY



Impeller Bolt – Part # 0346518

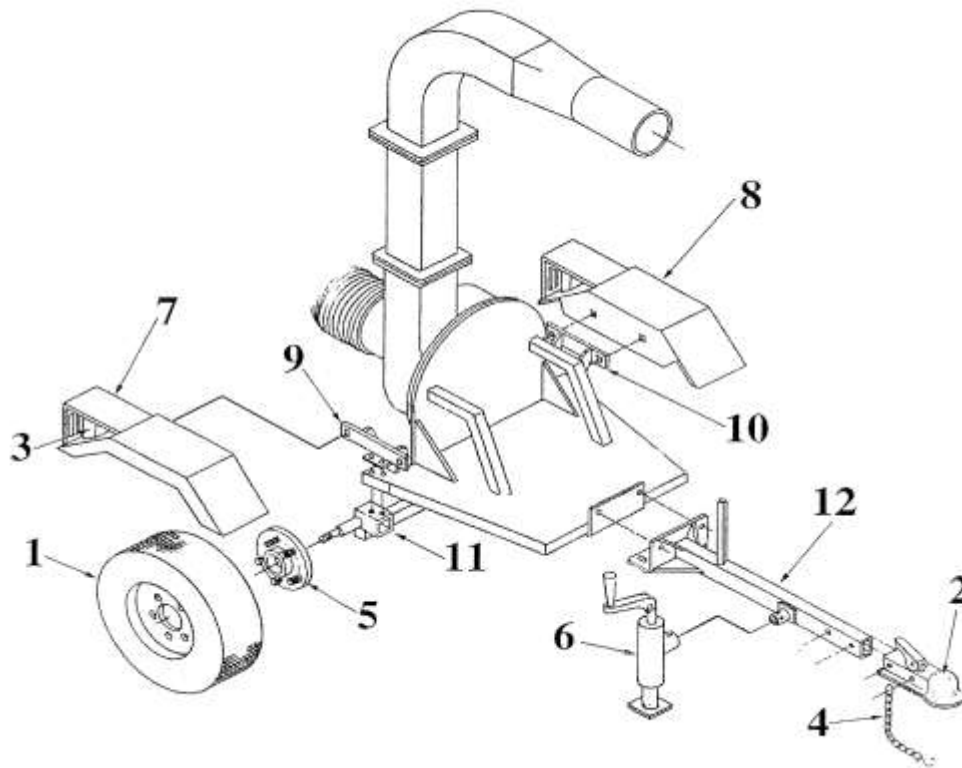
**Hint:** Use 7/8" x 14 Fine thread bolt to remove impeller. SALSICO PART # 0279005-N

## FRAME ASSEMBLY

ITEM#	DESCRIPTION	PART #	QTY.	ITEM #	DESCRIPTION	PART #	QTY.
1	Frame, Blower Skid	0219133	1	14	Lug, 5/16 Dia. X 6 AWG	0315022	4
2	Housing, Blower	Y500	1	15	S-Hook	0219	2
3	Impeller, Blower	0262066	1	16	Tank, Fuel 6.6-Gallon	0352006	1
4	Bracket, Hose Hanger	0206286	1		Tank, Fuel - <i>After S/N 0860</i>	0352102	1
5	Handle, 12" Hose	F103	1	17	Fitting, Quick Disconnect	0317084	1
6	Tube, 90° Exhaust	B223	1	18	Fitting, Quick Disconnect	0317085	1
7	Tube, Short Exhaust	0267052	1	19	Fuel Line, 1/4"	0327055	1
8	Tube, Long Exhaust	0267051	1	20	Clamp, Spring-1/4"	0310035	2
9	Hanger, Hose Clamp	M223	1	21	Bungie Cord-15"	0308018	1
10	Engine, 20HP Kohler	0337027	1	22	Hose, Flex 12" Diameter	0327063	1
	Engine 25HP Kohler	0337048	1	23	Clamp, 12" Hose	0410034	2
11	Battery	0336008	1	24	Chain	E053	1
12	Bracket, Hanger Mtg.	Z228	1	25	Spacer, 3/4" O.D.	0449084	2
13	Cable Battery # 6 Ga.	0315006	2	26	Knob, Fluted 1/2-13	0332016	1
				27	Rod, Threaded	D130	1



# TRUCKLOADER VACUUM TRAILER ASSEMBLY



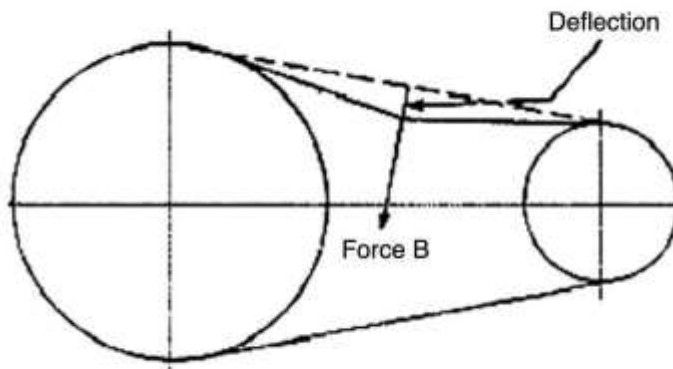
TRAILER ASSEMBLY			
ITEM #	DESCRIPTION	PART #	QTY.
1	Tire & Wheel	0354025	2
2	Coupler, 2" Ball	0325007	1
3	Light Kit	0361006	1
4	Chain, Safety	0309018	1
5	Hub Assembly	0329002	2
6	Jack, Top Wind, 15" Lift	0369006	1
7	Fender Assembly, Right	0216012	1
8	Fender Assembly, Left	0216011	1
9	Support, Fender Right	0277060	1
10	Support, Fender Left	0277061	1
11	<u>Torflex Axle Assembly(As of 9/01)</u>	<u>0302078</u>	1
	<u>Axle Assembly used before 9/01</u>	<u>0202045</u>	1
12	Tongue, Tow Frame	0225048	1

Below is a quick reference chart for various “Flat Head Cap Screws” and the torque recommendations.

**VALUES ARE STATED IN FOOT POUNDS**

BOLT SIZE	Thds Per Inch	SAE Grade 5	SAE Grade 8
1/4	20	10	14
	28	---	---
5/16	18	19	29
	24	---	---
3/8	16	33	47
	24	---	---
7/16	14	54	78
	20	---	---
1/2	13	78	119
	20	---	---
9/16	12	114	169
	18	---	---
5/8	11	154	230
	11	---	---
3/4	10	257	380
	10	---	---
7/8	9	382	600
	9	---	---
1	8	587	700
	8	---	---

Drive Belt Tension Measurement by Deflection



Deflection should be 3/8" when 8-12 lbs. push is applied at "B"

## **WARRANTY POLICY**

***Please remember to complete and return your Warranty Card and Dealer Delivery Report. Warranty Claims will not be considered if the Warranty Card and Dealer Delivery Report have not been returned to Salsco.***

Your Salsco Commercial or Turf Equipment product is a commercial type product and is normally manufactured and sold for commercial or industrial use. **Salsco will, for the original purchaser, for one (1) year from the date of purchase (90 days if used for rental purposes) repair or replace, free of charge, any SALSCO part or parts found to be defective in material, workmanship or both.** Any transportation or shipping charges will be borne by the purchaser. If, during the warranty period stated above, the product does not function properly due to defect, simply contact Salsco and follow the Warranty Procedures included in this manual.

This warranty **does not** include:

- Incidental or consequential damages and is exclusive of any implied warranties.
- Normal maintenance parts, including, but not limited to hoses, chains, belts, filters, lubricants, etc.
- Parts or components, which are covered under the original manufacturer warranty, including, but not limited to engines, pumps, and motors.

## **WARRANTY PROCEDURE**

In order for Salsco to consider your warranty claims in a timely manner you must follow the simple procedures listed below:

### **MACHINE OR PART FAILURE**

- a) Call our service department for helpful instruction on how to correct or repair the problem. Preventive maintenance will also be suggested.
- b) When ordering parts for Warranty issues, you MUST retain possession of the old parts in question until notified with respect to returning the parts to Salsco or other disposition.
- c) Warranty Claims MUST be filed within 30-days from completion of the work performed. Contact our office for an electronic warranty claim form.
- d) Fill in all information requested on warranty claim form, a copy of which is included in this manual, (date of purchase, company name, address, etc.). List all parts used. Make sure part numbers are correct. You can obtain these from your manual. (include good description of problem; i.e. “leaking from spool” rather than “leaking”).
- e) It is our goal to consider and reach a disposition on each Warranty Claim within 30-days from the date that it is received. Therefore it is important that you respond promptly to any request for further information. Claims with no response to inquiries will be closed as “**denied for lack of response**” 90-days from the date of request.
- f) Email, Fax or Send Warranty Claim form to our Warranty Department. – **Warranty on parts most often requires return of the parts that were replaced.** DO NOT DISCARD OLD PARTS UNTIL YOU HAVE RECEIVED A DETERMINATION AS TO WHETHER THESE PARTS MUST BE RETURNED.
- g) Our Warranty Department will contact and instruct you on how to return the Parts to Salsco on an RA #. Returns MUST be made within 30-Days from issuance of RA #. **FREIGHT CHARGES ON RETURN OF PARTS IS THE RESPONSIBILITY OF THE CUSTOMER.** Normal pre-delivery adjustments are not covered under warranty. Labor Warranties are based on reasonable time allowances as determined by Salsco, Inc. and paid at 75% of posted labor rate. **TRAVEL TIME IS NOT REIMBURSED UNDER THE WARRANTY POLICY.**
- h) Be sure to put the RA form inside the box that you are shipping back, also be sure to put on the outside of the box “Return of Goods” and the RA #.
- i) Ship returns via a traceable method such as UPS Ground Service. Be sure that the shipment is insured for the appropriate value. If uninsured parts are lost, we cannot issue a credit.

**PLEASE NOTE:**     ***Warranty forms should be filled out completely.***

**PREVENTIVE MAINTENANCE IS YOUR BEST INSURANCE AGAINST EQUIPMENT FAILURE. BE SURE TO READ THIS MANUAL, ESPECIALLY THE MAINTENANCE, OPERATING AND CAUTION SECTIONS.**

**SALSCO, INC., 105 School House Rd.  
Cheshire, CT 06410  
800-872-5726, 203-271-1682  
203-271-2596 (Fax)  
sales@salsco.com, [www.salsco.com](http://www.salsco.com)**

**WARRANTY CLAIM FORM**

SALSCO, INC.  
105 School House Rd.  
Cheshire, CT 06410

Phone: (203) 271-1682, (800) 872-5726  
Fax: (203) 271-2596  
Email: s.clark@salsco.com  
Website: www.salsco.com

**END OWNER**

Date Submitted:

Name:	Phone:	Work Order #:
Email:	Fax:	Office Use Only
Address:		Date Rec'd
		Cust ID:
		Salsco WC
		Salsco RA

**PURCHASED FROM**

Name:	Phone:	Date Rejected:
Email:	Fax:	Processed By:
Address:		Dir. Del Report on File: YES NO
		Warranty Card on File: YES NO
		Part(s) Total:

**Equipment/Warranty Information (Must be complete)**

Purchase Date:	Invoice #	Date Failed:	Labor Total:
			Total Approved:
Model #:	Serial #:	Repair Date:	Approved/Rejected:
			Name:
Hrs Used:	Primary Use:		Reason for Rejection:
Warranty Claim/Work Order#:			

Was a Salsco Return Authorization # issued for repairs or

Return of Parts? YES NO

Probable Cause of Failure:

Suggested Preventative Maint:

Work Performed/Comments on Repair:

Shop Labor Rate:					Submitted By:		
Total Labor Hours to Repair:					Printed Name:		
Parts Required for repair							
Salsco Part #: Description:				Qty.	Price Each	Total	Inv #
						\$	
						\$	
						\$	
						\$	

Fill in all information requested on warranty claim form.

**INCOMPLETE FORMS CANNOT BE PROCESSED & WILL BE RETURNED**

List all parts used. Make sure part numbers are correct. Any parts that you believe to be defective or any parts that break should be retained for possible inspection until after the warranty has been paid or part has been replaced.

800-872-5726  
203-271-2596 (Fax)

**Salsco, Inc.**  
105 School House Rd.  
Cheshire, CT 06410  
203-271-1682

sales@salsco.com  
www.salsco.com

### DEALER DELIVERY REPORT

MODEL		SERIAL NO				
DEALER		CITY	STATE	ZIP		
PURCHASER (Last Name or Company)	(First Name)	(Middle Name)	ADDRESS	CITY	STATE	ZIP

The undersigned dealer warrants that the above-described machine was carefully inspected, adjusted and prepared for delivery before delivery to the purchaser; that both the operation and maintenance of the machine were explained to the purchaser; and that a copy of the Owner's Instruction Manual were given to the purchaser and his attention called to Our Warranty and any operating instructions included in the manual and caution notes.

The undersigned purchaser certifies that the operation and maintenance of the above-described machine have been explained to him; acknowledges receipt of a copy of the Owners's Instruction Manual and Our Warranty Policy printed in said Instruction Manual and Caution Notes. I also understand that it is my responsibility to explain and make Salsco manuals available to new operators.

Date

Dealer

Sign By

Phone

Date

Purchaser

Sign By

Phone

Email

FACTORY COPY WHITE - DEALER'S COPY YELLOW - OWNER'S COPY PINK

SERIAL #

MODEL NO.

### SALSCO LIMITED WARRANTY CARD

1. DATE PURCHASED: \_\_\_\_\_
2. PURCHASER: \_\_\_\_\_
3. PURCHASER ADDRESS: \_\_\_\_\_  
\_\_\_\_\_
4. EMAIL ADDRESS: \_\_\_\_\_
5. DEALER: \_\_\_\_\_
6. DEALER ADDRESS: \_\_\_\_\_
7. WILL THIS EQUIPMENT BE USED COMMERCIALY?  YES  NO
8. DID DEALER SERVICE THIS EQUIPMENT AND INSTRUCT YOU IN ITS CARE AND SAFE OPERATION ?  YES  NO
9. DID YOU RECEIVE AN "OPERATION & SERVICE MANUAL" AND SAFETY PAMPHLET?  YES  NO

## NOTICE

SIGNED \_\_\_\_\_

Purchaser

IMPORTANT: THIS CARD MUST BE FILLED OUT COMPLETELY AND MAILED TO THE FACTORY WITHIN 10 DAYS OF PURCHASE DATE, OR YOUR LIMITED WARRANTY WILL BE VOIDED.

WHITE - DEALER

YELLOW - OWNER

CARD - FACTORY

## SERVICE RECORD

If kept properly, this schedule will help track problems in the future.

Date	Qty.	Part #	Description of Work Done	Hours Used	Total Hours to Date

MODEL # \_\_\_\_\_ S/N \_\_\_\_\_

DATE PURCHASED: \_\_\_\_\_